

序号/RevNo.	名称/Title	文件编号/File No.
1	XY2500V端子	
2	XY2500D塑件	

250V 12A

Poles: 2P/3P/4P/5P/6P/7P

8P/9P/10P/11P/12P/

13P/14P/15P/16P/17P

18P/19P/20P/21P/22P

23P/24P

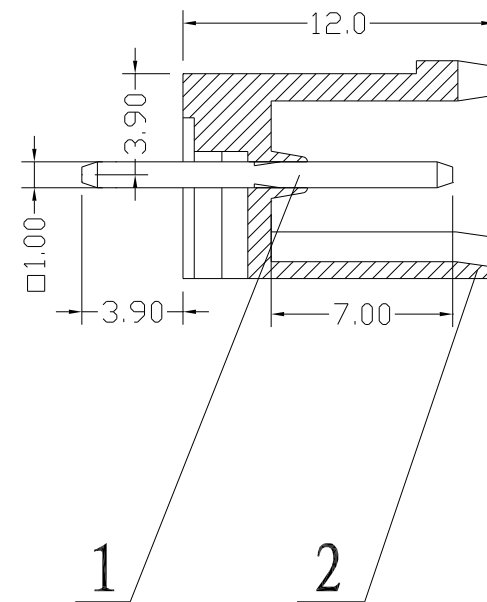
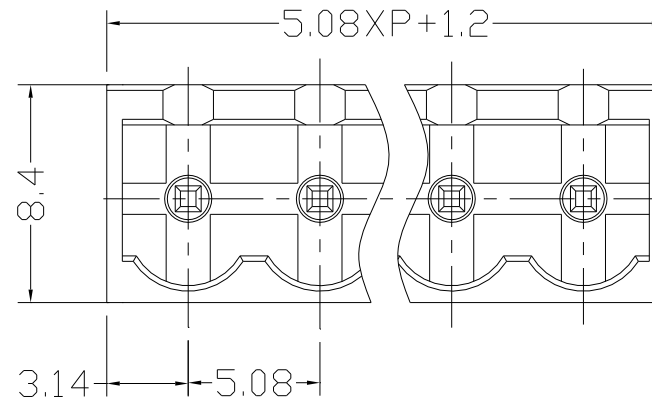
Pitch: 5.08mm&10.16mm

Pin Dimension: 1.0X1.0mm

Materials

Housing: Polyamide 6.6,Green

Solder Pin: Brass,1.0t,Tin Plated.



设计/Designed by	绘图/Drawing by	审核/Checked by	批准/Approved by	未注公差 General Tolerance	
				x. ±0.2	x.' ±2°
				.x ±0.1	.x' ±1°
				.xx ±0.05	.xx' ±0.5°
				.xxx ±0.01	
				单位/Units: mm	

序号/RevNo.	更改记录/Revision note	签名/Signature	日期/Date