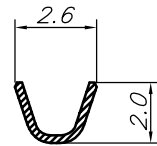
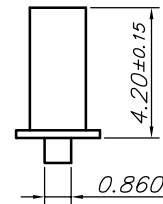


A-A SEC



B-B SEC



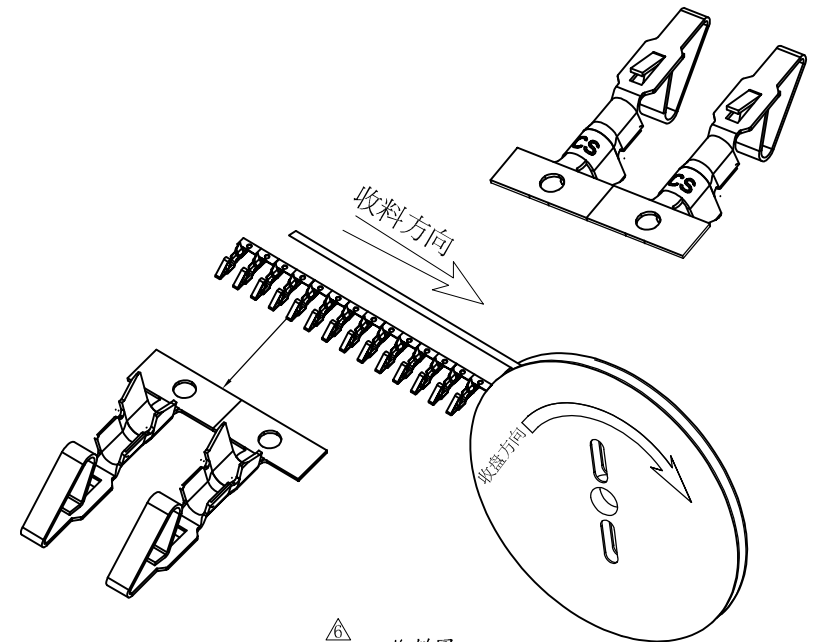
C-C SEC

■ SPECIFICATIONS

- Current Rating : 7A AC/DC
- Withstanding Voltage : 1,500V AC/minute
- Insulation Resistance : 1,000MΩ min
- Temperature Range : - 25℃ to + 85℃
- Contact Resistance : 20mΩ max

■ TERMINAL

- △ Part No. : JS-5001 - T
- Applicate Wires : AWG# 18 - 24
- Material : Brass
- Finish : Tin Plated
- Thickness : 0.25mm
- Q' ty : 6,000 pcs./Reel



△ 收料圖



喬訊電子工業股份有限公司
CHYAO SHIUNN
ELECTRONIC INDUSTRIAL LTD.

APPROVED BY	SCALE	UNIT	TOLERANCE	LTR	REVISION RECORD	NAME	DATE	LTR	REVISION RECORD	NAME	DATE
張育瑞	1:1	mm	.0 ±0.30	△	DG 200607-001	劉蓮花	2006/07/25	△			
CHECKED BY	PROJ	VER NO.	.00 ±0.20	△	DG 200609-006	劉蓮花	2006/09/21	△			
周家慶	⊕	a7	.000 ±0.10	△	DG 200610-007	劉蓮花	2006/10/24	△			
DRAWN BY	DATE	SIZE	ANGLE	△	DG 200612-007	劉蓮花	2006/12/21		CUSTOMER		
jack	2012/04/05	A4	0° ±1°	△	ECR201102003	周家慶	2011/02/21				
			.0° ±	△	整理圖面，增加3D圖面	Jack-J	2011/08/19		Conforms to The RoHS Instruction		
			SHEET 1/1	△	去掉非環保產品	jack	2012/04/05				

3.96mm Crimp Style Connectors Terminal

PART NO JS-5001-T