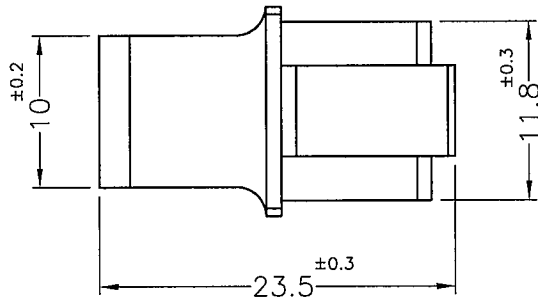
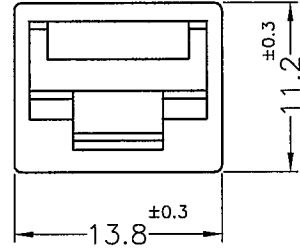
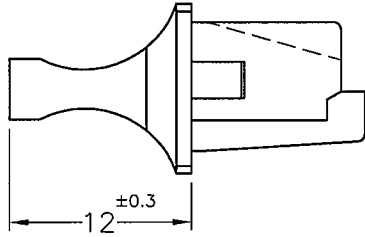



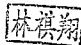
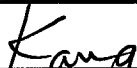
REVISIONS			
REV	DESCRIPTION	DATE	BY



PART NO.	COLOR
PJC-45(GR)	GREEN
PJC-45(Y)	YELLOW
PJC-45(G)	GRAY
PJC-45(R)	RED
PJC-45(R1)	RED
PJC-45(BU)	BLUE

- NOTE:1. SHRINKING IS NORMAL STATUS.  
 內縮為正常現象。  
 2. MADE OF EQUIVALENT MATERIAL.  
 均可使用同等材質。  
 3. THE COLOR BATCH TEST REPORT IS ONLY FOR FIRST LOT TEST.  
 色母環保檢測報告, 僅提供原始測試報告。



 <p>康揚企業股份有限公司          KANG YANG HARDWARE ENTERPRISE CO., LTD.          康揚塑膠(東莞)有限公司          KANG YANG PLASTIC(DONG GUAN) CO., LTD.          康哲電腦配件(吳江)有限公司          KANG CHE COMPUTER COMPONENTS(WUJIANG) CO., LTD.</p>				TITLE	CONNECTOR COVER	SPEC. DWG.	
				MATERIAL	ABS UL94HB	DATE	2001.03.28
				FINISH		DRAWN	S.J.C
				COLOR	SEE ABOVE	CHECK	
PART NUMBER	SEE ABOVE	DRAWING NUMBER	PJC-45	UNLESS OTHERWISE SPECIFIED TOLERANCE	SEE ABOVE	APPROVED	
SIZE	A4	SCALE	2:1	UNIT	mm	REV	C