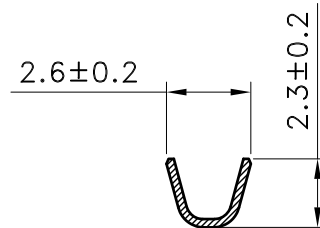
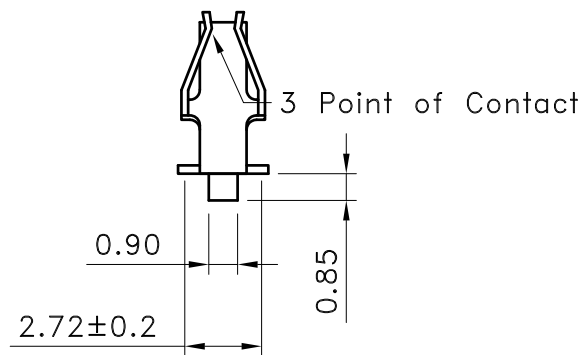


■ SPECIFICATIONS

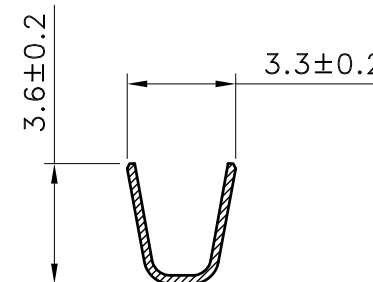
- Voltage Rating : 250V AC/DC
- Current Rating : 7A AC/DC
- Withstanding Voltage : 1,500V AC/minute
- Insulation Resistance : 1,000MΩ min
- Temperature Range : - 25°C to + 85°C
- Contact Resistance : 20mΩ max

■ TERMINAL

- Part No. : JS-5001-TPA
- Applicate Wires : AWG# 18 - 24
- Material : Brass
- Finish : (Stamping before Sn 80~100u" over Plated. Nickel 10~15u" under all over)
- Thickness : 0.25mm
- Q' ty : 7,000 pcs./Reel



A-A SEC



B-B SEC



喬訊電子工業股份有限公司
CHYAO SHIUNN
ELECTRONIC INDUSTRIAL LTD.

PART NO JS-5001-TPA

3.96mm Crimp Style Connectors Terminal

APPROVED BY	SCALE	UNIT	TOLERANCE	LTR	REVISION RECORD	NAME	DATE	LTR	REVISION RECORD	NAME	DATE
張育瑞		mm	.0 ±0.30	△	XXXX	XXX	XXXX/XX/XX	△			
CHECKED BY	PROJ	VER NO.	.00 ±0.20	△	ECR RoHS compliant	黃科源	2009/07/24	△			
黃科源	◎	a4	.000 ±0.10	△	ECR 200909-009	黃科源	2009/09/29	△			
DRAWN BY	DATE	SIZE	ANGLE		電氣規格修正	吳弘文	2013/09/03		CUSTOMER		
吳弘文	2013/09/03	A4	0° ±1°	△					Conforms to The RoHS Instruction		
			0° ±	△							
			SHEET	1/1	△						