

MATERIALS:

PLASTIC HOUSING: ENGINEERING THERMOPLASTIC

FLAMMABILITY RATING UL 94V-0.

CONTACTS: PHOSPHOR BRONZE

PLATING: GOLD PLATING OVER NICKEL IN CONTACT.

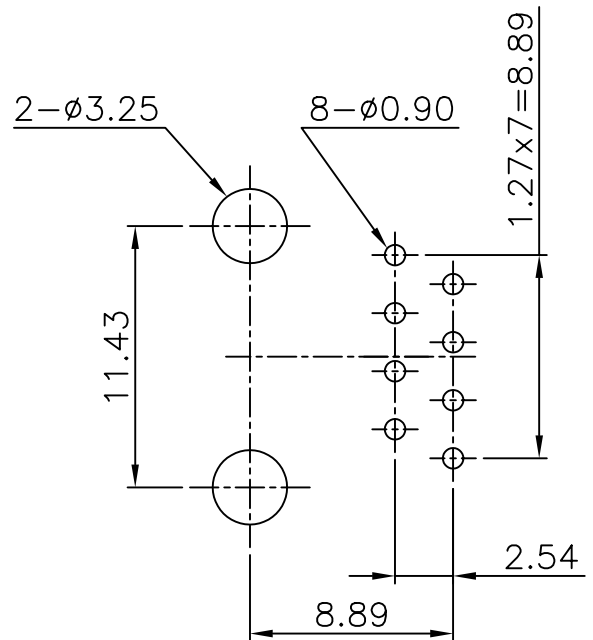
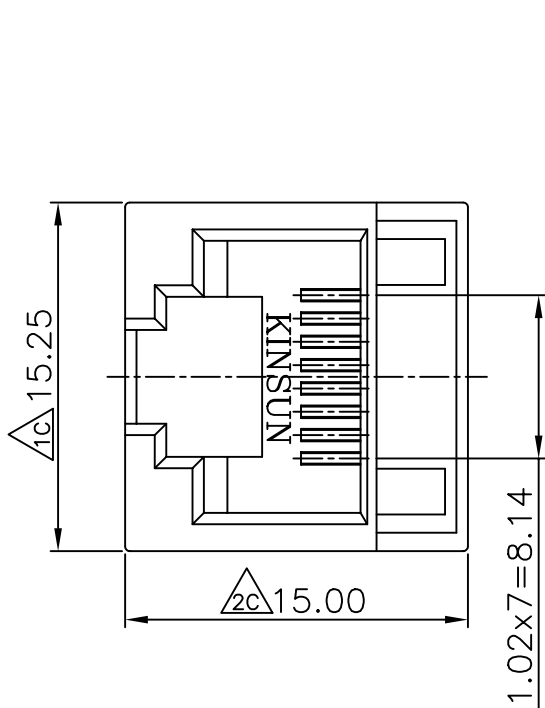
TIN PLATING OVER NICKEL IN SOLDER AREA.

6u" P/N: 3018635600

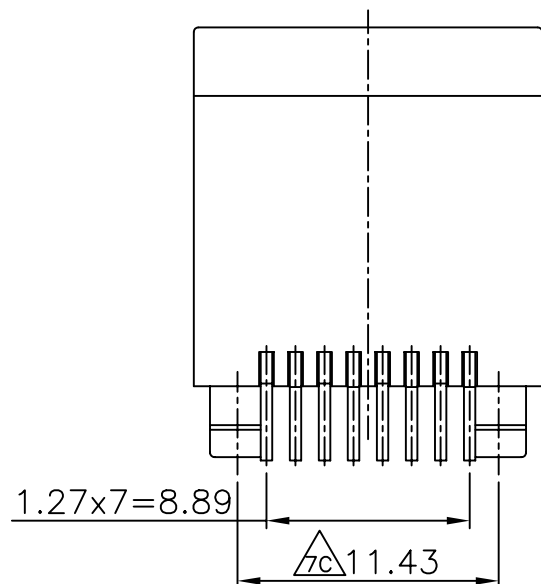
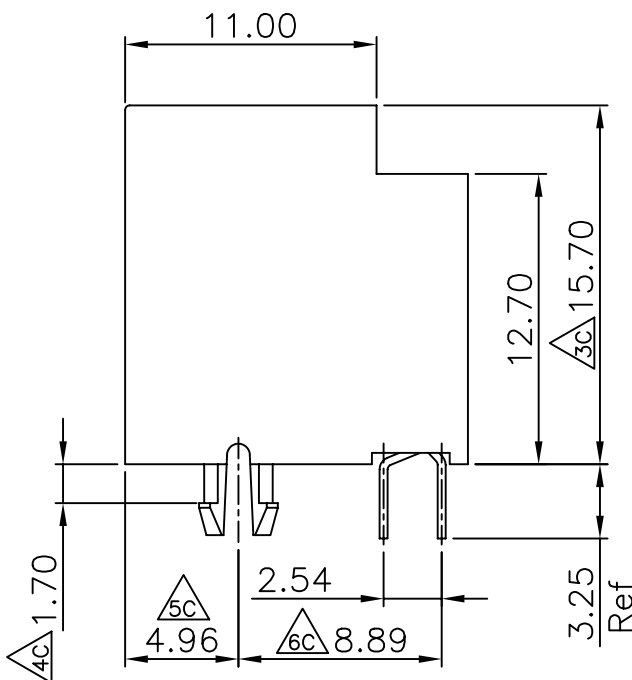
15u" P/N: 3018635700

30u" P/N: 3018635800

50u" P/N: 3018635900



PCB LAYOUT/TOP VIEW



Maritex

設計DR.
Kathy Chung
92-09-29

核准APPD.

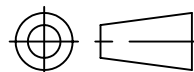
容許公差	TOLERANCE
.XXX	±0.10
.XX	±0.25
.X	±0.38
X	±0.50
ANG	±3°

品名
ARTICLE 3018 8P8C TOP ENTRY JACK

版本說明 REVISION NOTE

圖號
DWG NO. 3018635600

KINSUN 慶陞



單位 UNIT	比例 SCALE	張數 SHEET	版本 REV.
mm	3/1	1/1	A