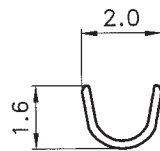
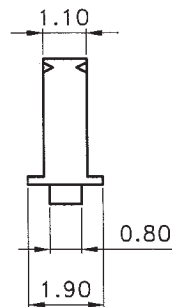


A-A SEC



B-B SEC



C-C SEC

SPECIFICATIONS

- Current Rating : 3A AC/DC
- Withstanding Voltage : 1000V AC/minute
- Insulation Resistance : 1000M Ω min
- Temperature Range : - 25 $^{\circ}$ C to + 85 $^{\circ}$ C
- Contact Resistance : 20m Ω max

TERMINAL

- Part No. : JS-8001-TXX(XX)

T : Standard Process, Brass

TP : Stamping before Plated, Brass

PBT: Standard Process, Phos. Bronze

Blank: Tin Plated (80u" Tin-Lead Plating. 15u"Min Nickel Under Plating.)

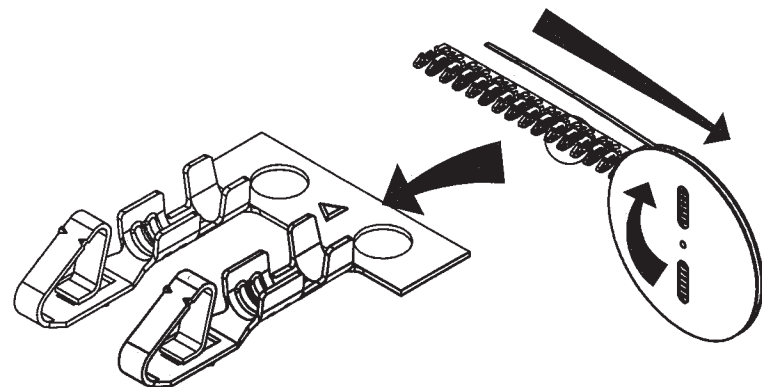
G: Gold Flash(Brass)

G1: 1. Gold 30u"(Phos. Bronzn)
2. Selec Gold(Brass)

G2: Gold 10u"(Brass)

G6: Gold 5 u"(Brass)

- Applicable Wires : AWG # 22 - 28
- Material : Refer the above narrative
- Thickness : 0.2 mm
- Q' ty : 10000 pcs./Reel

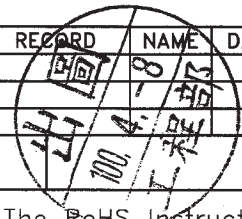


喬訊電子工業股份有限公司
CHYAO SHIUNN
ELECTRONIC INDUSTRIAL LTD.

PART NO JS-8001-TXX(XX)

2.54mm Crimp Style Connectors Terminal

APPROVED BY	SCALE	UNIT	TOLERANCE	LTR	REVISION RECORD	NAME	DATE	LTR	REVISION RECORD	NAME	DATE
張育瑞		mm	.0 ±0.30	▲				▲			
CHECKED BY	PROJ	VER NO.	.00 ±0.20	▲	JS-8001-T & JS-8001-TP & JS-8001-P	劉怡萱	11/04/06	▲			
黃科源		a2	.000 ±0.10	▲				▲			
DRAWN BY	DATE	SIZE	ANGLE	▲							
劉怡萱	2011/04/06	A4	0° ±1°	▲							
			.0° ±	▲							
			SHEET 1/1	▲							



CUSTOMER
Conforms to The RoHS Instruction