

DETAILS

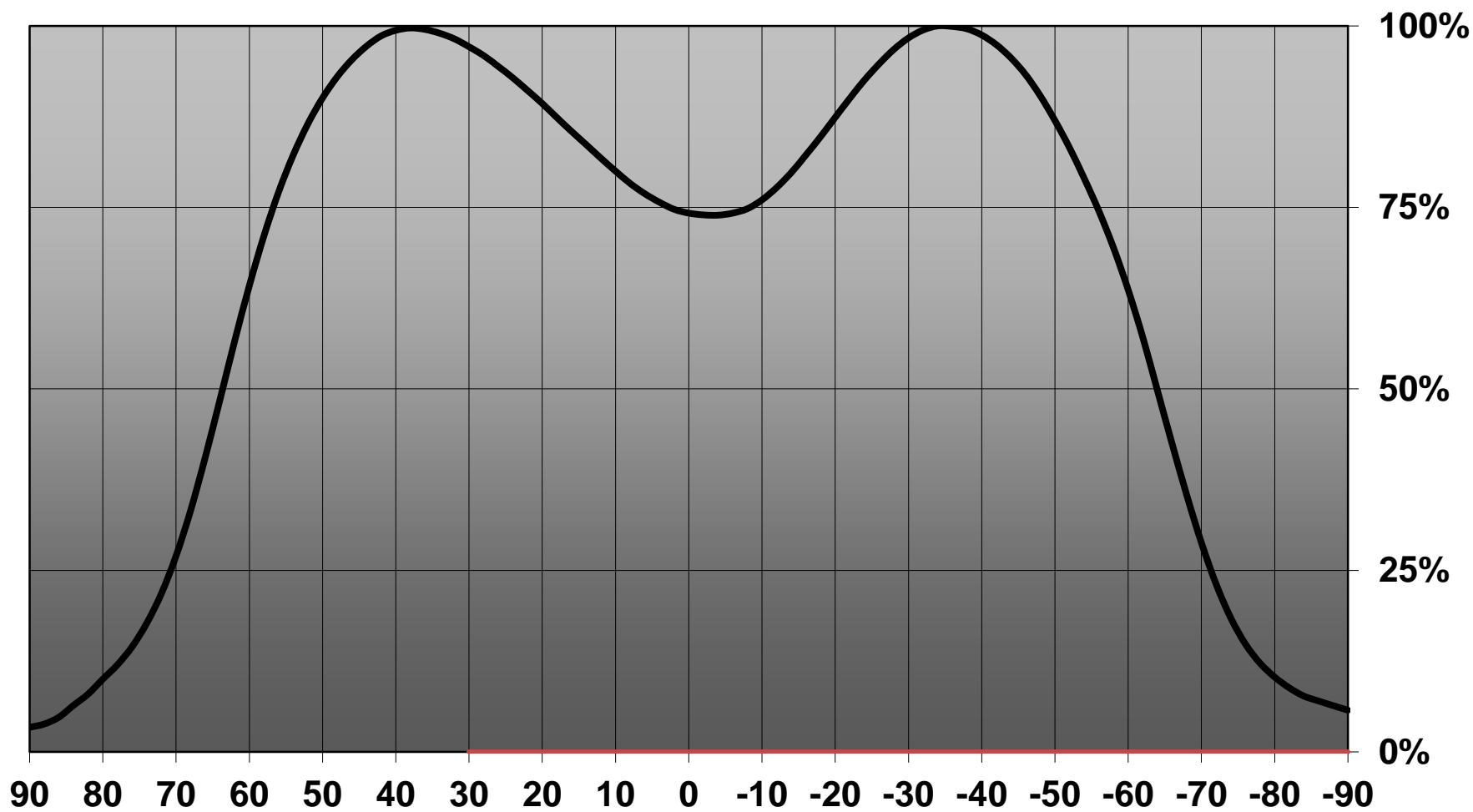
Product Number	C11252_STRADA-C2
Family	Strada-C2
Type	Lens
Color	clear
Diameter	19,6 x 15,5 mm
Height	6,9 mm
Style	rectang
Optic Material	PMMA
Holder Material	
Fastening	
Status	production ready
ROHS Compliant	Yes
Date Updated	21/12/2015



OPTICAL PROPERTIES

LED	Viewing Angle	Light Beam	Efficiency	cd/lm	Connector
XP-E	124 deg	Streetligh...	92 %	0.290	-
XP-G	136 deg	Streetligh...	92 %	0.240	-
XB-D	135 deg	Streetligh...	93 %	0.260	-
XP-G2	sim: 122	Streetligh...	sim: 92 %	-	-
XT-E	sim: 122	Streetligh...	sim: 91 %	sim: 0.259	-
LUXEON Rebel	120 deg	Streetligh...	92 %	0.300	-
LUXEON Rebel ES	128 deg	Streetligh...	92 %	0.240	-
LUXEON A	120 deg	Streetligh...	92 %	-	-
LUXEON R	128 deg	Streetligh...	94 %	0.300	-
NCSxx19A	124 deg	Streetligh...	92 %	-	-
NVSxx19A	124 deg	Streetligh...	92 %	-	-
Oslon SSL 80	92 deg	Streetligh...	92 %	0.350	-
Oslon SSL 150	92 deg	Streetligh...	92 %	-	-
Z5	sim: 124	Streetligh...	92 %	-	-
Double Dome (GM2BB)	122 deg	Streetligh...	92 %	-	-

Relative intensity of C11252_STRADA-C2-LuxR



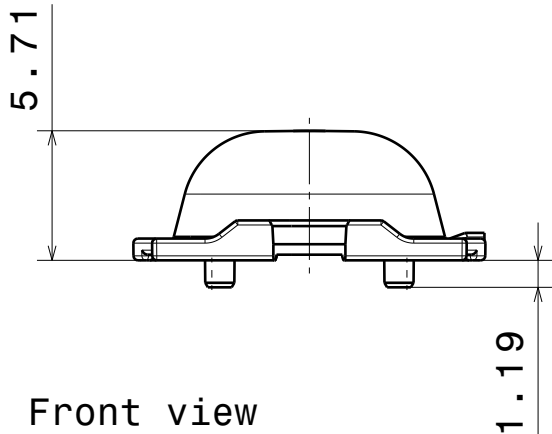
D

C

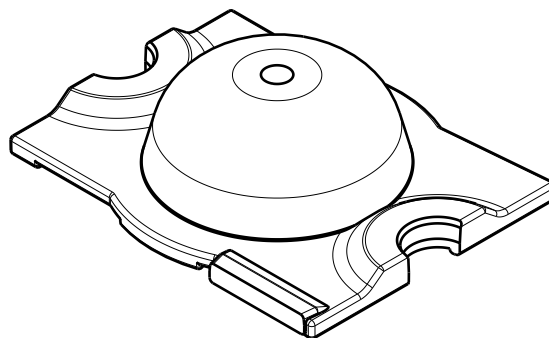
B

A

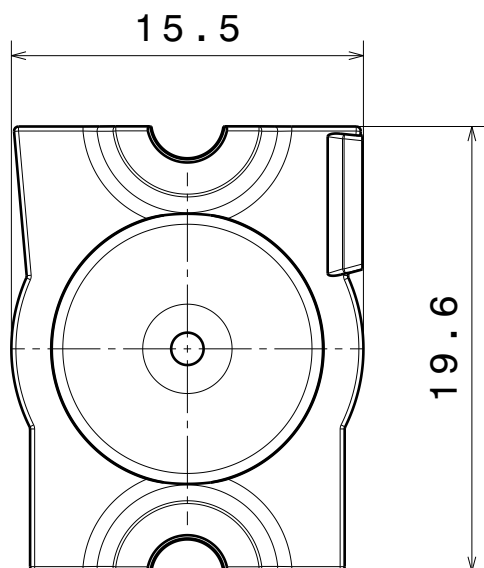
4



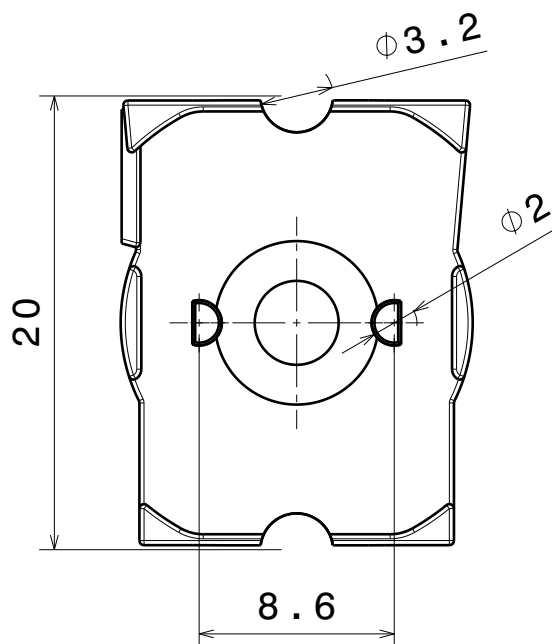
Front view

Isometric view
Scale: 3:1

3



Top view



Bottom view

2

2

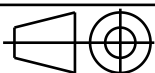
INDEX	PART NO	DESCRIPTION	MATERIAL	COLOUR
1	C11252	STRADA-C2	PMMA	

Tolerances if not otherwise shown
According to DIN ISO 2768-1
Linear measures:
Up to 30mm class M, otherwise class C.
According to DIN ISO 2768-2
Form and position: class L

LEDiL

Ledil Oy
Salorankatu 10
FIN 24240 SALO
Finland

THIRD ANGLE PROJECTION:



DRAWING TITLE

C11252_STRADA-C2

This drawing is the property
of LEDiL Oy. It may not be
reproduced, copied or
communicated without a written
agreement with LEDiL Oy.

SIZE PART NUMBER

A4

C11252

SCALE	3:1	WEIGHT	0,6 g	SHEET	1/1
-------	-----	--------	-------	-------	-----

1

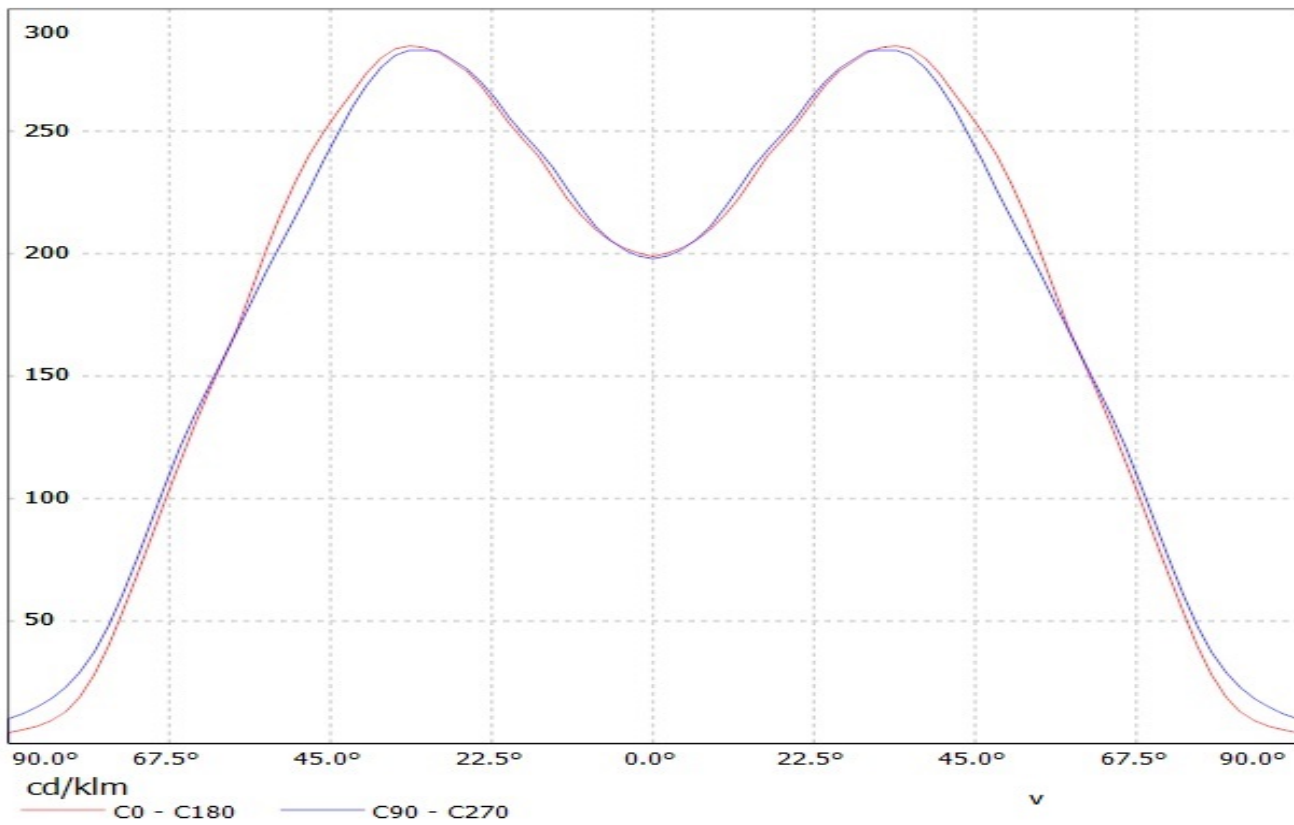
1

D

A

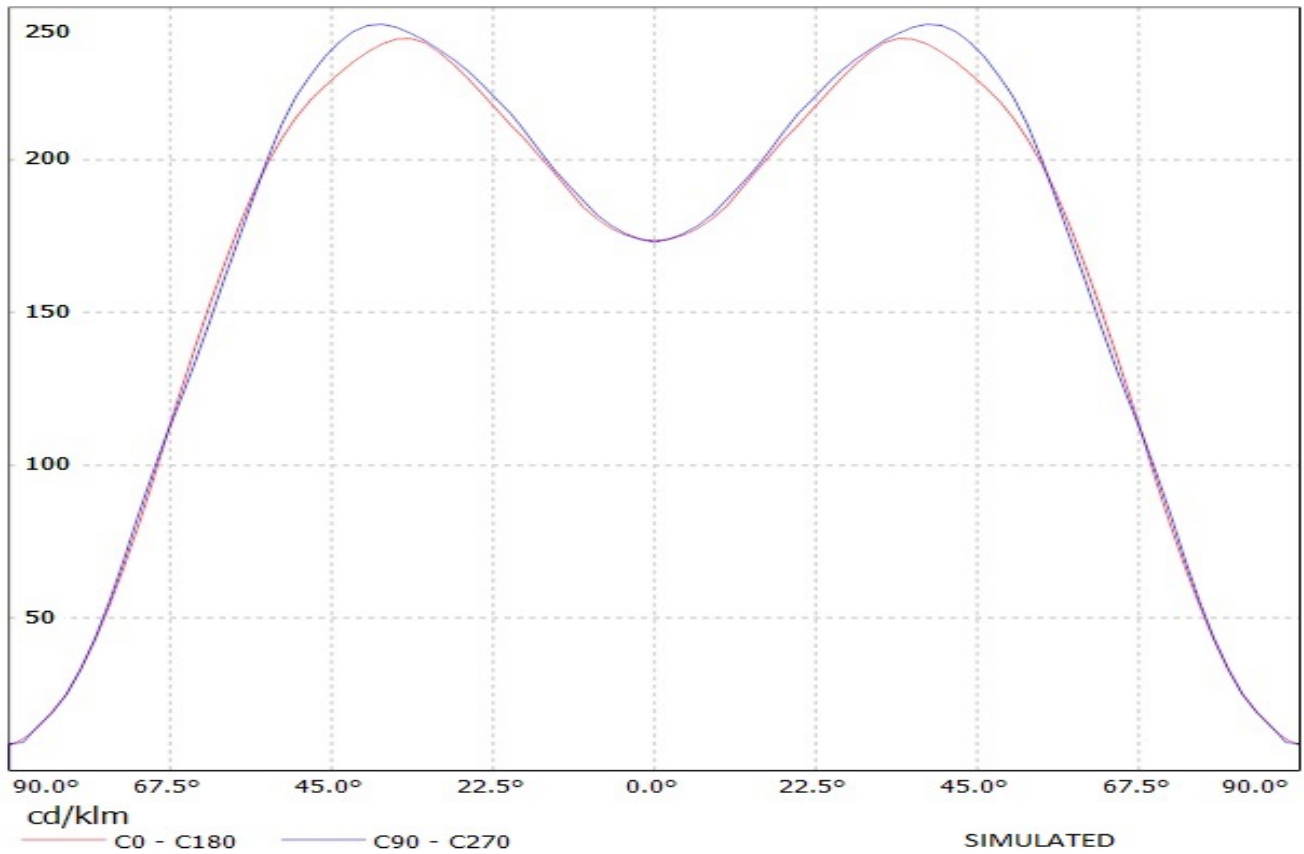
Ledil Oy C11252_Strada-C2-XP C11252_Strada-C2-XP Cree XP-E (White) 70lm @ 250mA LOR=92% / LDC (Linear)

Luminaire: Ledil Oy C11252_Strada-C2-XP C11252_Strada-C2-XP Cree XP-E (White) 70lm @ 250mA
LOR=92%
Lamps: 1 x Cree XP-E (White)

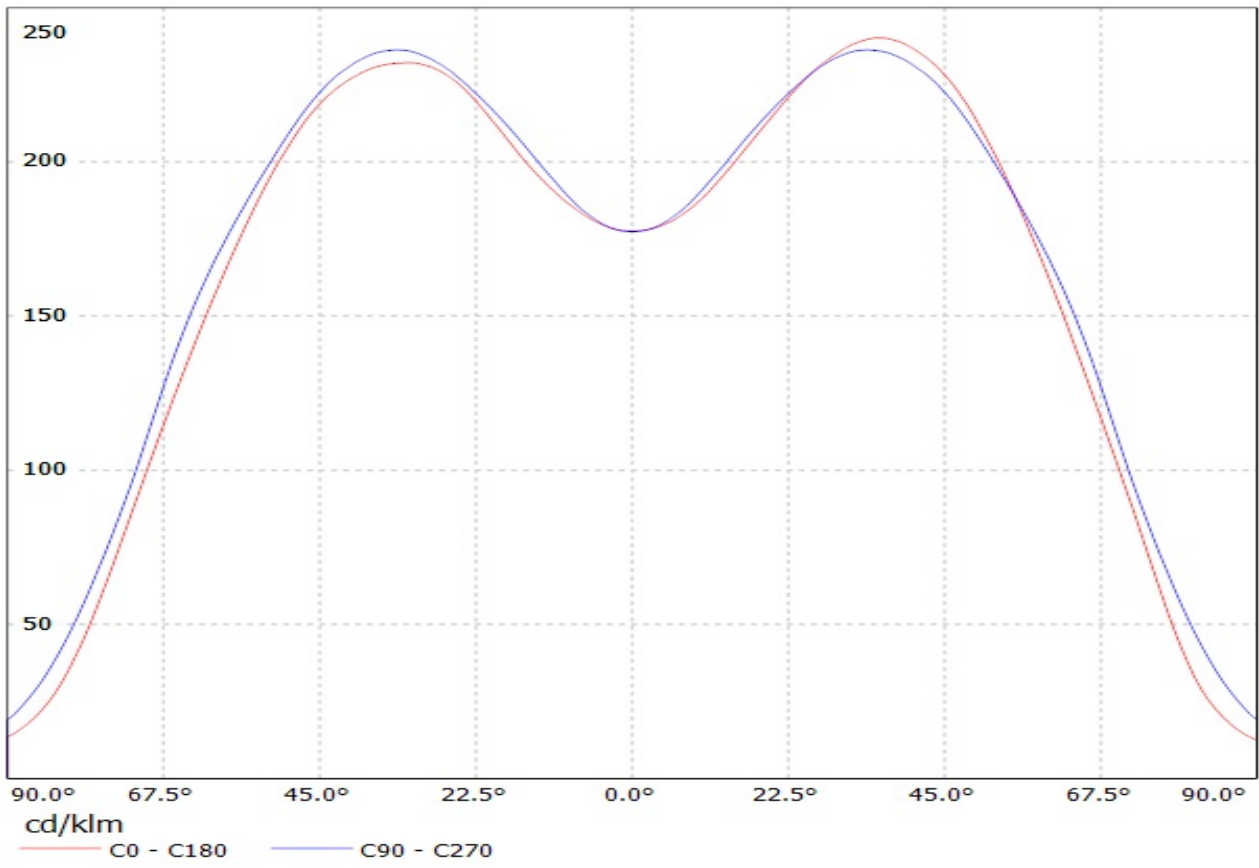


Ledil Oy C11252_Strada-C2-XP-G C11252_Strada-C2-XP-G / LDC (Linear)

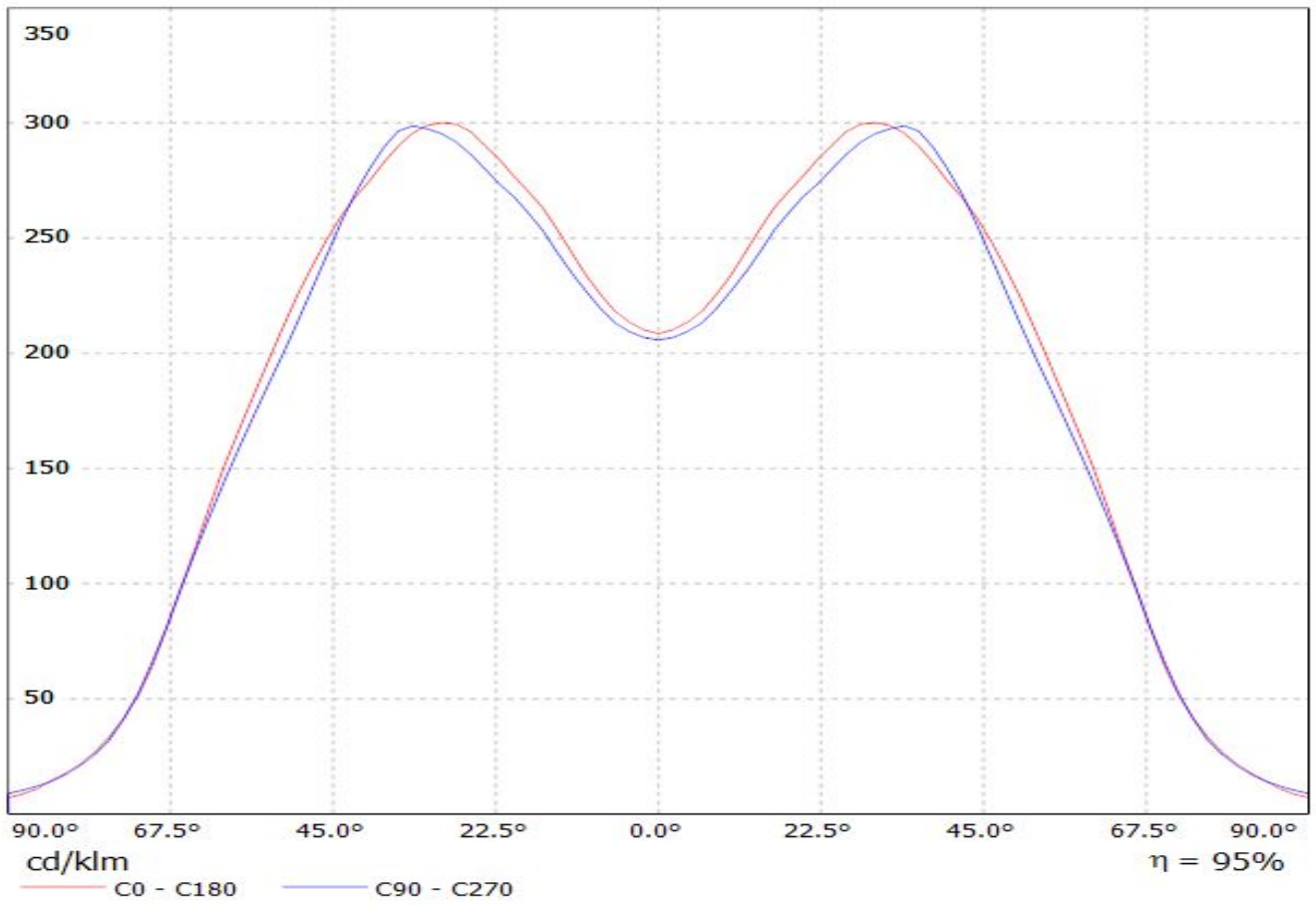
Luminaire: Ledil Oy C11252_Strada-C2-XP-G C11252_Strada-C2-XP-G
Lamps: 1 x Cree XP-G (White)



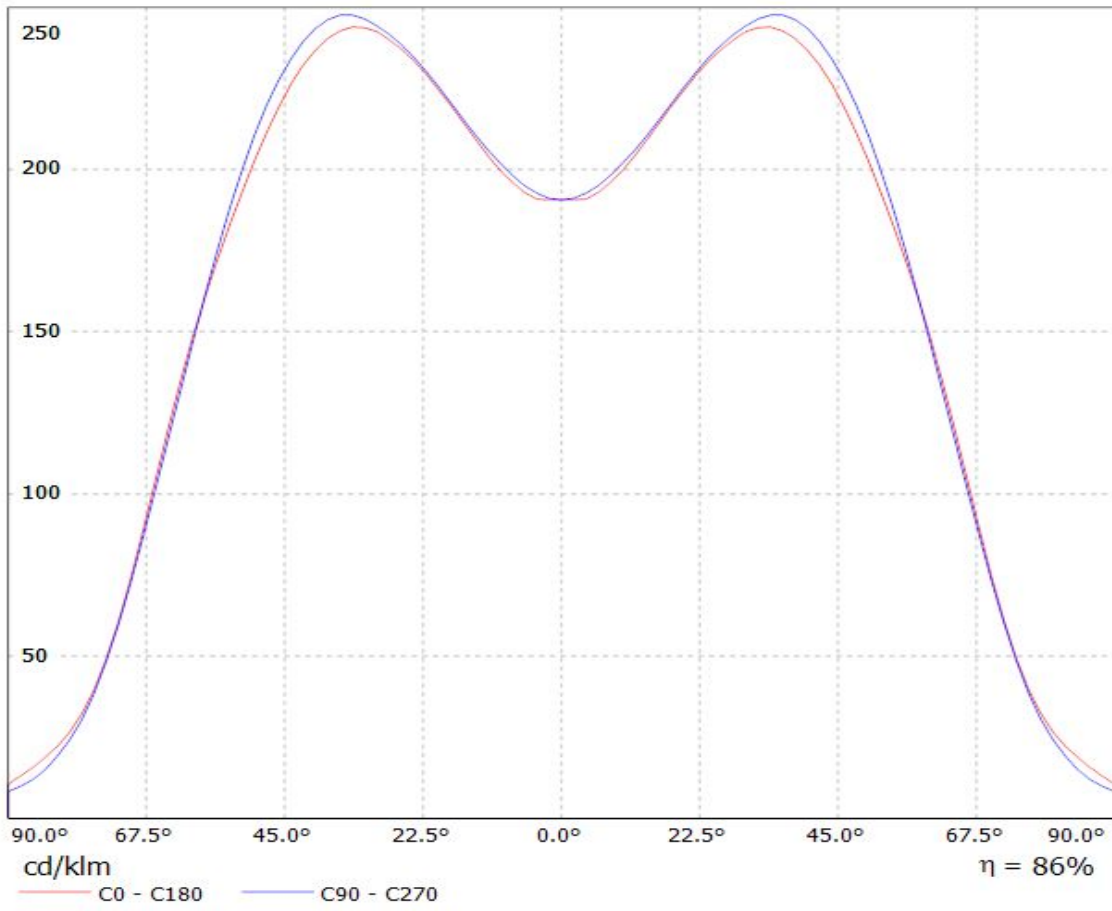
Luminaire: LEDIL OY C11252_STRADA-C2 / CA11253_STRADA-C2 (XB-D) Efficiency=93%
Lamps: 1 x Cree XB-D white (97lm @ 250mA)



Luminaire: Ledil Oy C11252_Strada-C2-RE C11252_Strada-C2-RE
Lamps: 1 x Luxeon Rebel (White)

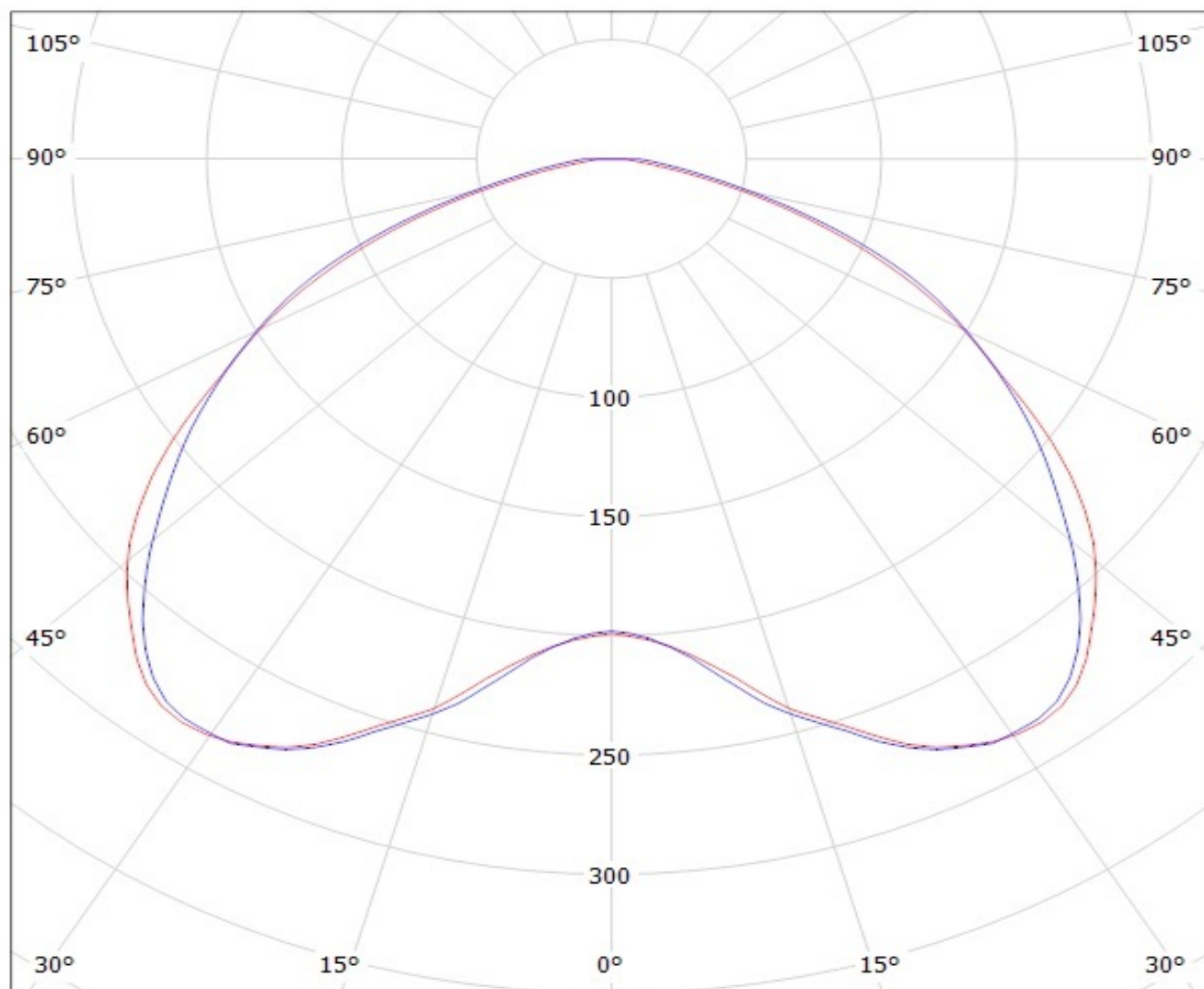


Luminaire: Ledil Oy C11252_Strada-C2-RE-ES C11252_Strada-C2-RE-ES Luxeon Rebel-ES (white) 92lm @ 250mA LOR=92%
Lamps: 1 x Luxeon Rebel-ES (white) 92lm @ 250mA



Ledil Oy C11252_Strada-C2-XP C11252_Strada-C2-XP Cree XP-E (White) 70lm @ 250mA LOR=92% / LDC (Polar)

Luminaire: Ledil Oy C11252_Strada-C2-XP C11252_Strada-C2-XP Cree XP-E (White) 70lm @ 250mA
LOR=92%
Lamps: 1 x Cree XP-E (White)



cd/klm

— C0 - C180

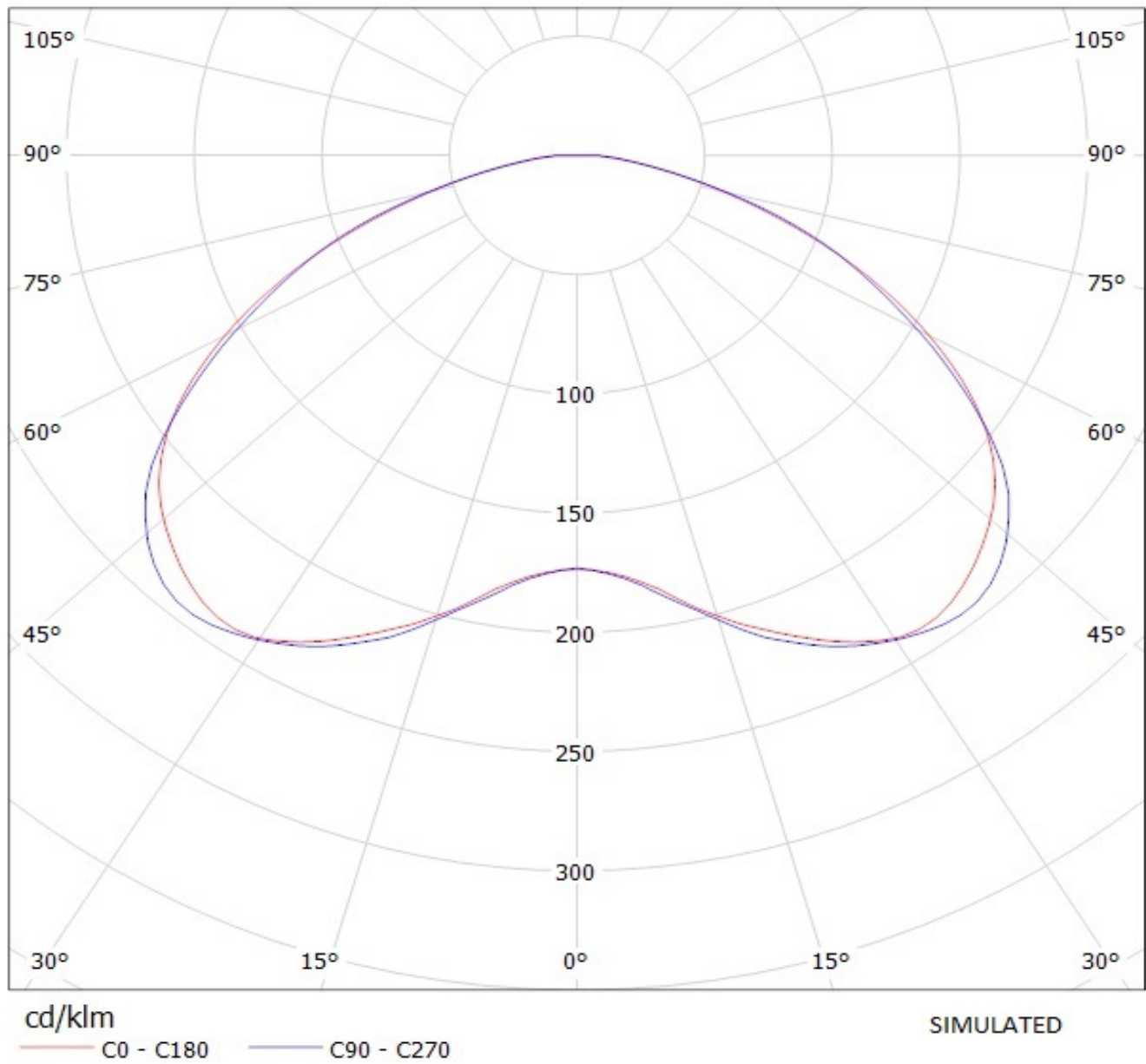
— C90 - C270

SIMULATED

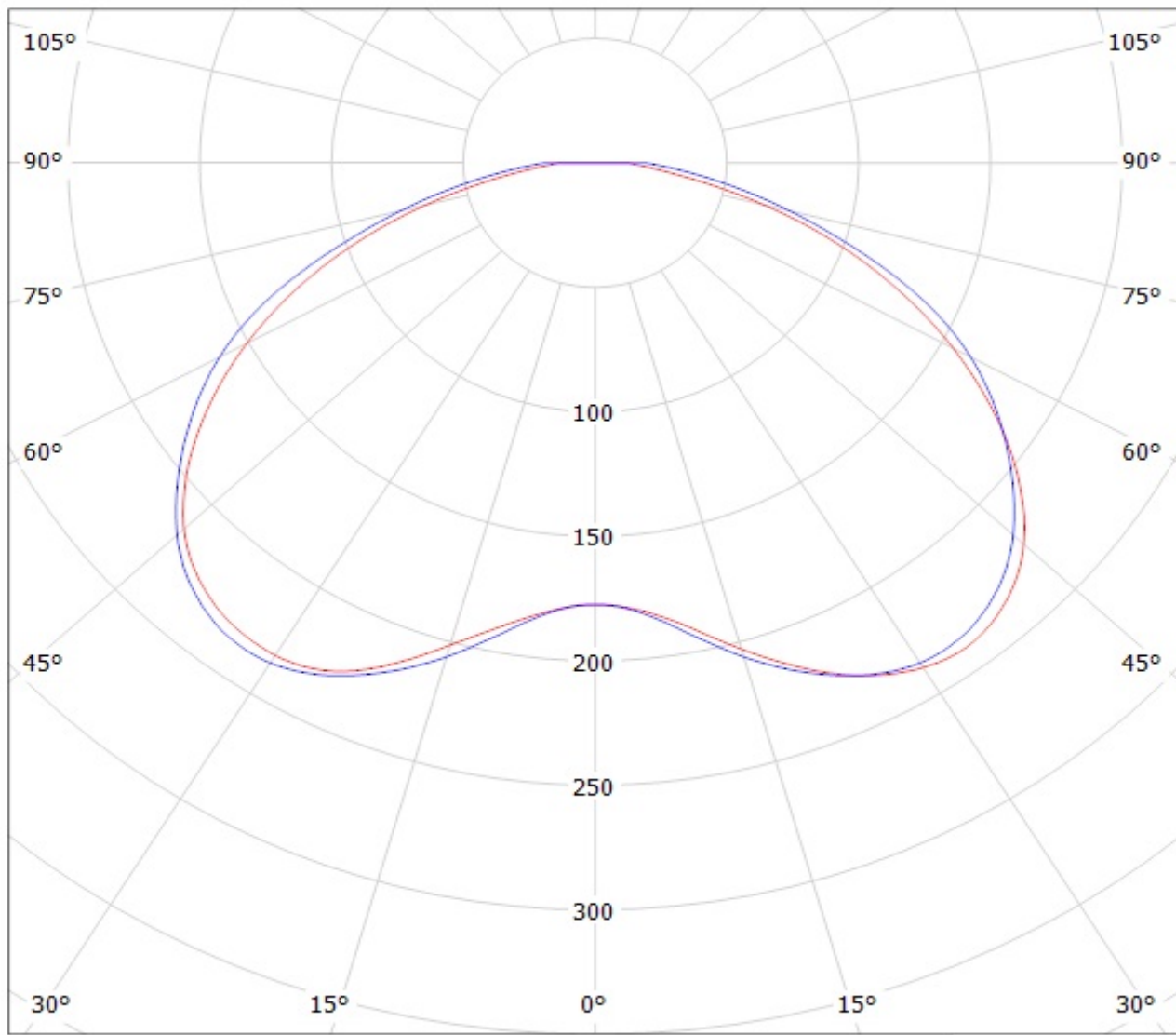
Ledil Oy C11252_Strada-C2-XP-G C11252_Strada-C2-XP-G / LDC (Polar)

Luminaire: Ledil Oy C11252_Strada-C2-XP-G C11252_Strada-C2-XP-G

Lamps: 1 x Cree XP-G (White)

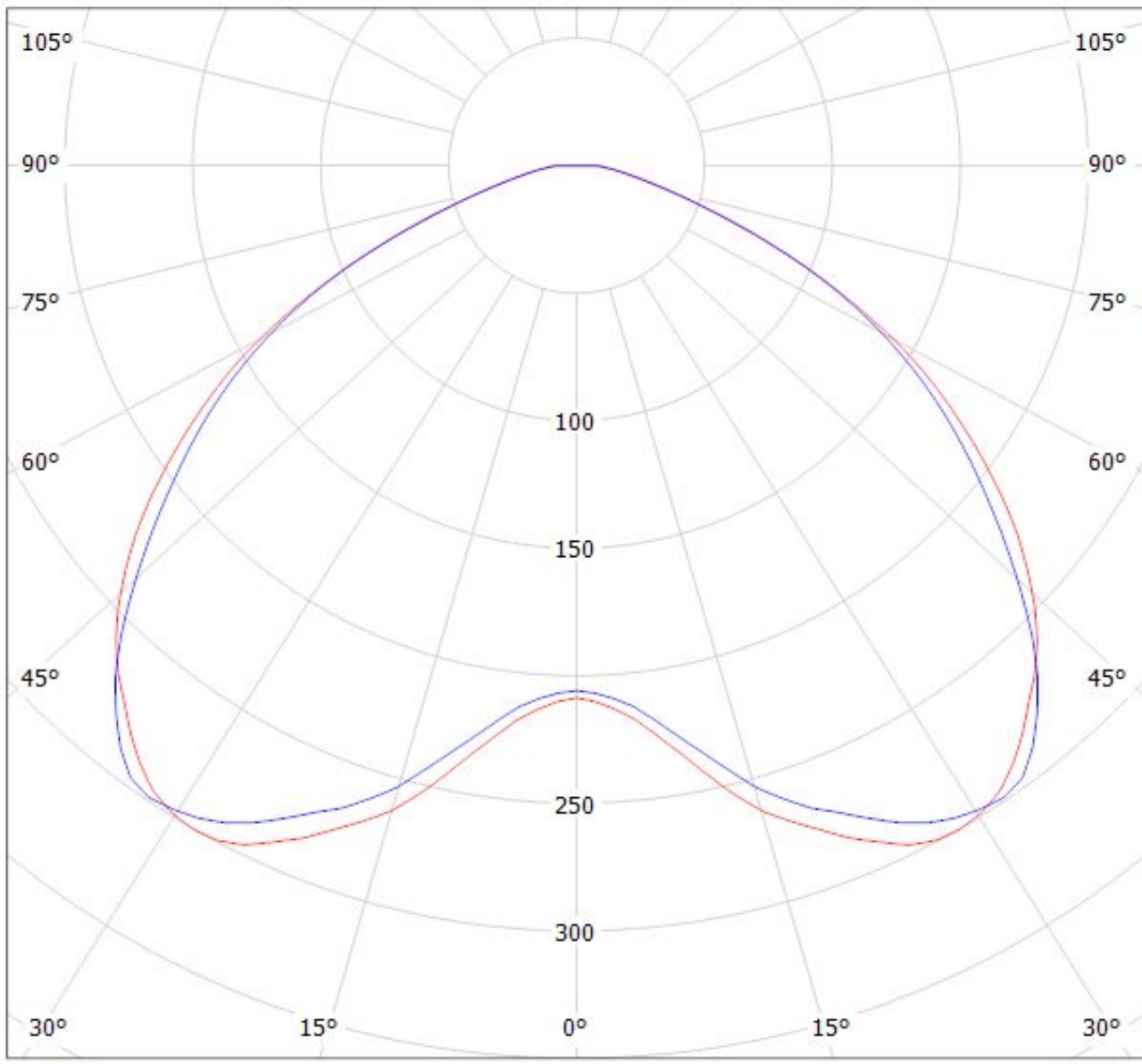


Luminaire: LEDIL OY C11252_STRADA-C2 / CA11253_STRADA-C2 (XB-D) Efficiency=93%
Lamps: 1 x Cree XB-D white (97lm @ 250mA)



cd/klm
— C0 - C180 — C90 - C270

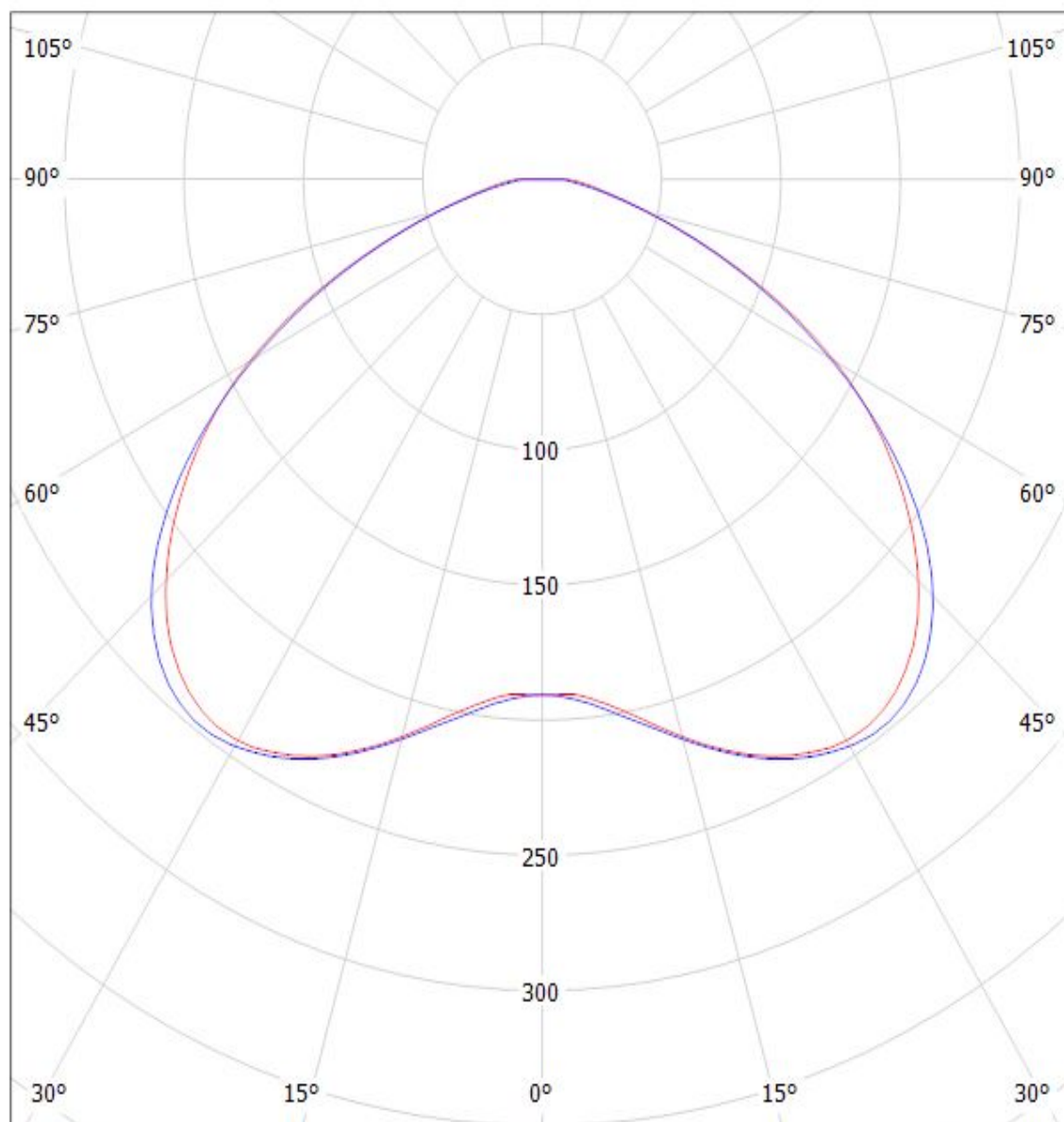
Luminaire: Ledil Oy C11252_Strada-C2-RE C11252_Strada-C2-RE
Lamps: 1 x Luxeon Rebel (White)



cd/klm
— C0 - C180 — C90 - C270

$\eta = 95\%$

Luminaire: Ledil Oy C11252_Strada-C2-RE-ES C11252_Strada-C2-RE-ES Luxeon Rebel-ES (white) 92lm @ 250mA LOR=92%
Lamps: 1 x Luxeon Rebel-ES (white) 92lm @ 250mA



cd/klm

— C0 - C180

— C90 - C270

$\eta = 86\%$

NOTE: The typical divergence will be changed by different color, chip size and chip position tolerance. The typical total divergence is the full angle measured where the luminous intensity is half of the peak value.