

SPECIFICATION

Edition

4

ELK ZERO INSERTION PRESSURE SOCKET

1. FEATURES:

- 1-1 Compact mechanical construction to ensure long term life.
- 1-2 Zero insertion and extraction pressure.
- 1-3 Standard 2.54 mm (0.100") IC pitch, easy to mount in PC board.
- 1-4 All materials are UL 94V-0 grade fire retardant plastic.
- 1-5 Gold plated contact to ensure low contact resistance and long operation life.

2. SPECIFICATION:

2-1 ELECTRICAL

- 2-1-1 Contact Rating 50 Vdc, 100 mA
- 2-1-2 Contact Resistance
 - Initial 10 m Ω max.
 - After life test 20 m Ω max.
- 2-1-3 Insulation Resistance 100 M Ω min.
- 2-1-4 Dielectric Strength 500 Vdc min. for 1 minute
- 2-1-5 Capacitance 5 pF max.
between adjacent contacts

2-2 MECHANICAL AND ENVIRONMENTAL

- 2-2-1 Temperature Rating
 - Operating -25°C to +70°C
 - Storage -40°C to +85°C
- 2-2-2 Operating Life 50,000 cycles (without load)
25,000 cycles (with load)
- 2-2-4 Humidity 95% RH, 40°C for 96 Hrs.
- 2-2-5 Vibration 10 to 55 Hz for 6 Hrs.

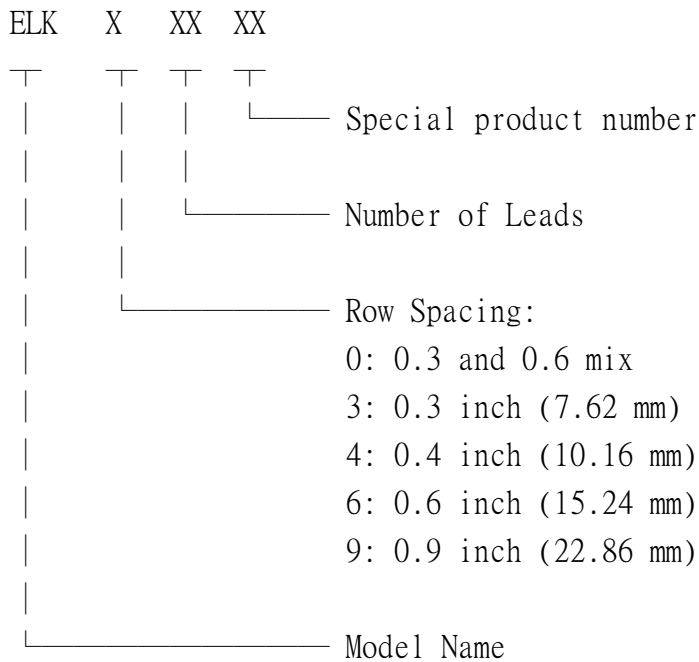
 EXCEL CELL ELECTRONIC CO., LTD. <small>An ISO 9001 Company</small>	NO.	A30893	PAGE
			2
SPECIFICATION		Edition	4

- 2-2-6 Solderability After flux 230± 5°C for 5± 0.5 seconds 95% coverage
- 2-2-7 Soldering Heat After 260± 5°C for 5± 1 sec. shall have no deterioration

3. NOTICE OF USAGE:

- 3-1 Please take care to ensure that the temperature of the solder is not outside the specified requirements during soldering of the socket.
- 3-2 Do not use rigid wire. Use multistanded wires no heavier than 39 AWG to prevent deformation of the contacts.


4. PART NUMBERING SYSTEM



5. PACKING

5-1 PACKING METHOD

All sockets are packed into a dish as an inner packing unit and then packed into boxes.

 An ISO 9001 Company	NO.	A30893	PAGE 3
EXCEL CELL ELECTRONIC CO., LTD.		4	
S P E C I F I C A T I O N		Edition	

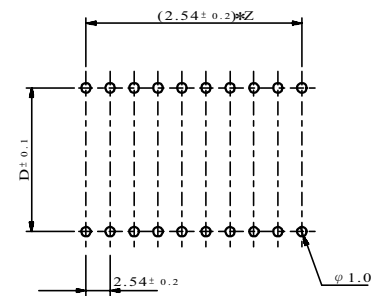
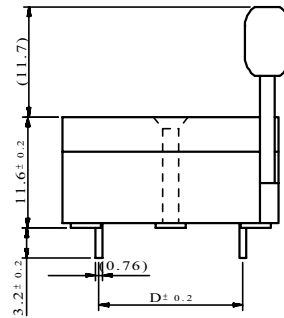
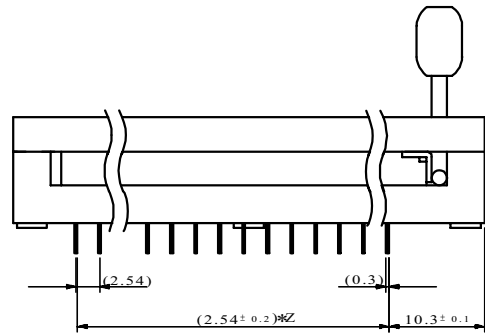
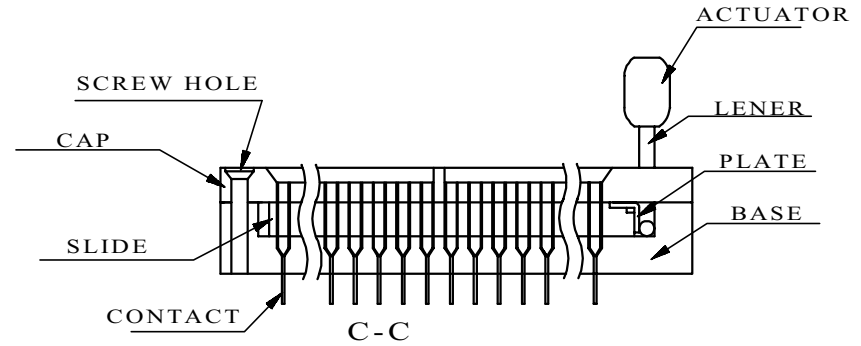
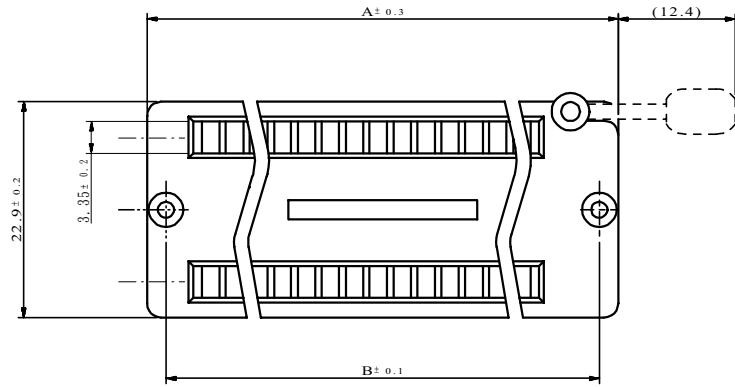
5-2 Information on label on each plastic dish:

- | | |
|-------------------|-------------------------|
| (1) DESCRIPTION. | (6) ECE MARK. |
| (2) LOT NO. | (7) QC STAMP. |
| (3) REPROCESS NO. | (8) DATE. |
| (4) QUANTITY. | (9) MANUFACTURERS NAME. |
| (5) TESTER NO. | |

6. DRAWINGS

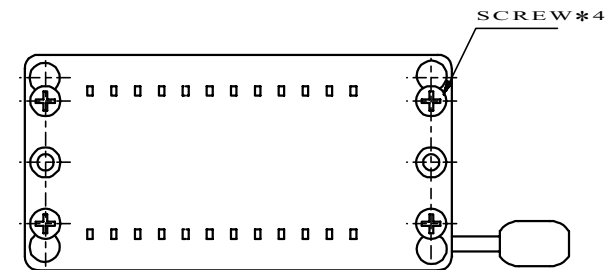
Socket dimensions: see attached drawing.

P.C.B. layout diagram: see attached drawing.



P.C.D. HOLE PATTERNS FOR SOCKETS

LEADS	PART NUMBER	A	B	Z	D
24	ELK324	45.3	40.9	11	7.62
24	ELK624	45.3	40.9	11	15.24
28	ELK628	50.4	46.0	13	15.24
32	ELK632	55.5	51.1	15	15.24
40	ELK640	65.6	61.2	19	15.24



NO.	DETAILS	ALTERED BY	DATE	NORMAL TOLERANCE		PART NUMBER	ELKXXX				UNIT	MM (INCH)	PART NAME	ELK	
				RANGE	TOLERANCE		MATERIAL								SCALE
				0 - 1	± 0.1		-----				SCALE	1.25 : 1	TYPE	-----	
				1 - 4	± 0.3	CHECK	GARY	DESIGN	GOLDEN	DRAWN	GOLDEN	QUANTITY	-----	FILE NAME	ELKSPECA.PRT
				4 - 16	± 0.5							PROCESSING	-----	ASSEMBLY NUMBER	-----
				16 - 63	± 0.8							PROJECTION		SURFACE TREATMENT	-----
				63 - 250	± 1.0										