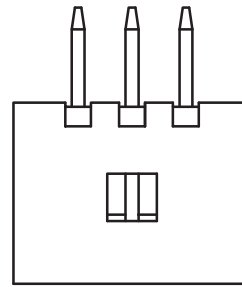
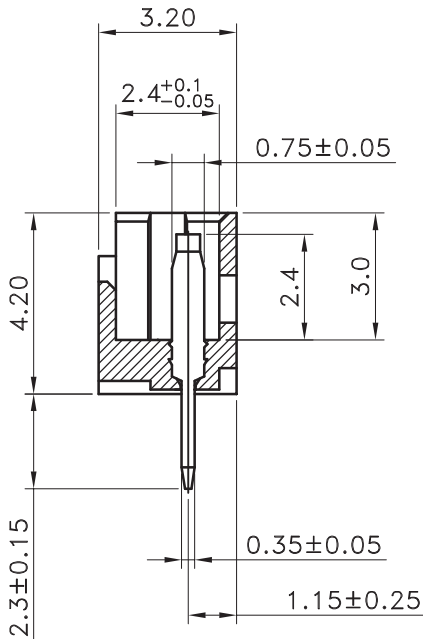
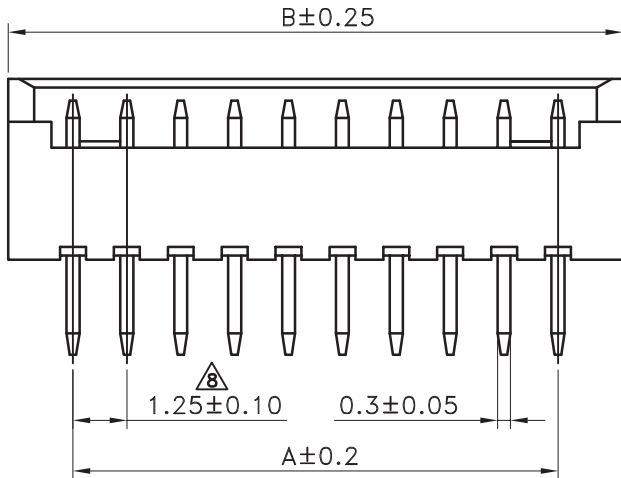
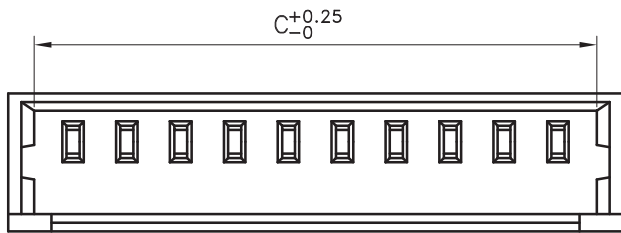
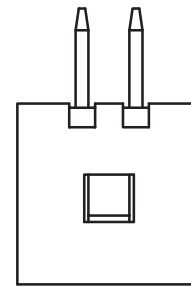


Recommended PCB Layout(Top View)



3 Circuit



2 Circuit

■ SPECIFICATIONS

- Voltage Rating : 250V AC/DC
- Current Rating : 1A AC/DC
- Withstanding Voltage : 250V AC /minute
- Insulation Resistance : 100M Ω min
- Temperature Range : -40°C to +85°C
- Contact Resistance : 20m Ω max

■ WAFER

- Part No. : JS-1147-XX

①

Code No.

① Poles : 2 - 15(DIP Type)

- Material : Contact : Brass, Tin Plated
Base : Nylon 66 UL94V-0
- Package : PVC Box

Poles	Part No.	Dimensions (mm)		
		A	B	C
2	JS-1147-02	1.25	4.25	3.05
3	JS-1147-03	2.50	5.50	4.30
4	JS-1147-04	3.75	6.75	5.55
5	JS-1147-05	5.00	8.00	6.80
6	JS-1147-06	6.25	9.25	8.05
7	JS-1147-07	7.50	10.50	9.30
8	JS-1147-08	8.75	11.75	10.55
9	JS-1147-09	10.00	13.00	11.80
10	JS-1147-10	11.25	14.25	13.05
11	JS-1147-11	12.50	15.50	14.30
12	JS-1147-12	13.75	16.75	15.55
13	JS-1147-13	15.00	18.00	16.80
14	JS-1147-14	16.25	19.25	18.05
15	JS-1147-15	17.50	20.50	19.30



喬訊電子工業股份有限公司
CHYAO SHIUNN
ELECTRONIC INDUSTRIAL LTD.

APPROVED BY	SCALE	UNIT	TOLERANCE	LTR	REVISION RECORD	NAME	DATE	LTR	REVISION RECORD	NAME	DATE
張育瑞		mm	.0 ±0.30	△	ECR DG 200509-001	邱森鴻	2005/09/02	△	修正Pitch 公差	吳弘文	2012/06/27
CHECKED BY	PROJ	VER NO.	.00 ±0.20	△	ECR RoHS compliant	余秀麗	2005/09/02	△			
黃科源		a8	.000 ±0.10	△	ECR 200802-010	黃科源	2005/09/02	△			
DRAWN BY	DATE	SIZE	ANGLE	△	ECR 200805-014	黃科源	2005/09/02				
吳弘文	2012/06/27	A4	0° ±1°	△	ECR 200808-012	黃科源	2005/09/02				
			.0° ±	△	ECR 200811-002	黃科源	2005/09/02				
			SHEET 1/1	△	ECR 200907-003	黃科源	2005/09/02				

PART NO JS-1147-XX

1.25mm Crimp Style Connectors Wafer <DIP>

CUSTOMER

Conforms to The RoHS Instruction