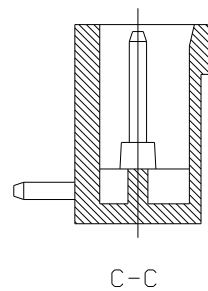
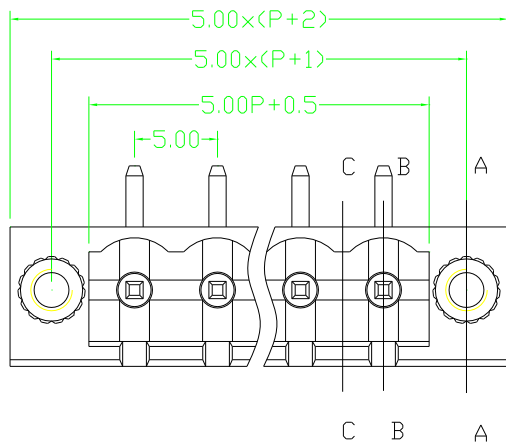
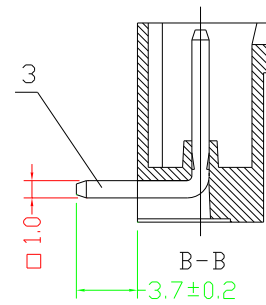
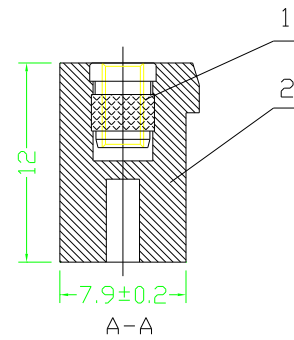
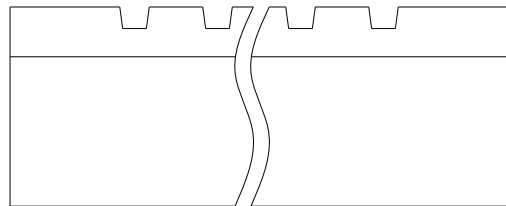


序号/RevNo.	名称/Title	文件编号/File No.
1	XY2500镍件	
2	XY2500VBS塑件	
3	XY2500R端子	



设计/Designed by	绘图/Drawing by	审核/Checked by	批准/Approved by	未注公差 General Tolerance	
				x. ±0.2	x." ±2°
				.x ±0.1	.x" ±1°
				.xx ±0.05	.xx" ±0.5°
				.xxx ±0.01	
		图名/Title	文件编号/File No.		
		XY2500R-BS 产品图	页序/Sheet		
备注/Remark				单位/Units: mm	

序号/RevNo.	更改记录/Revision note	签名/Signature	日期/Date