

DETAILS

Product Number	C11192_TUIJA-3-SS
Family	Tuija
Type	Lens array
Color	clear
Diameter	50 mm
Height	14,5 mm
Style	round
Optic Material	PMMA
Holder Material	
Fastening	glue, pin
Status	production ready
ROHS Compliant	Yes
Date Updated	1/12/2014



OPTICAL PROPERTIES

LED	Viewing	Light	Effi-	cd/lm	Connector
	Angle	Beam	ciency		
XP-E	12 deg	Smooth spo...90 %	14.100	-	
XP-G	14 deg	Smooth spo...90 %	9.600	-	
XB-D	11 deg	Smooth spo...92 %	12.400	-	
LUXEON Rebel	12 deg	Smooth spo...90 %	16.800	-	
LUXEON Rebel ES	13 deg	Smooth spo...90 %	11.100	-	
LUXEON A	12 deg	Smooth spo...90 %	-	-	
NCSxx19A	12 deg	Smooth spo...90 %	-	-	
NVSxx19A	10.5 deg	Smooth spo...90 %	-	-	
Oslon SSL 80	10 deg	Smooth spo...90 %	4.600	-	
Oslon SSL 150	sim: 12	Smooth spo...90 %	sim: 17.000-	-	
Z5	10 deg	Smooth spo...93 %	22.000	-	
Double Dome (GM2BB)	12 deg	Smooth spo...90 %	-	-	

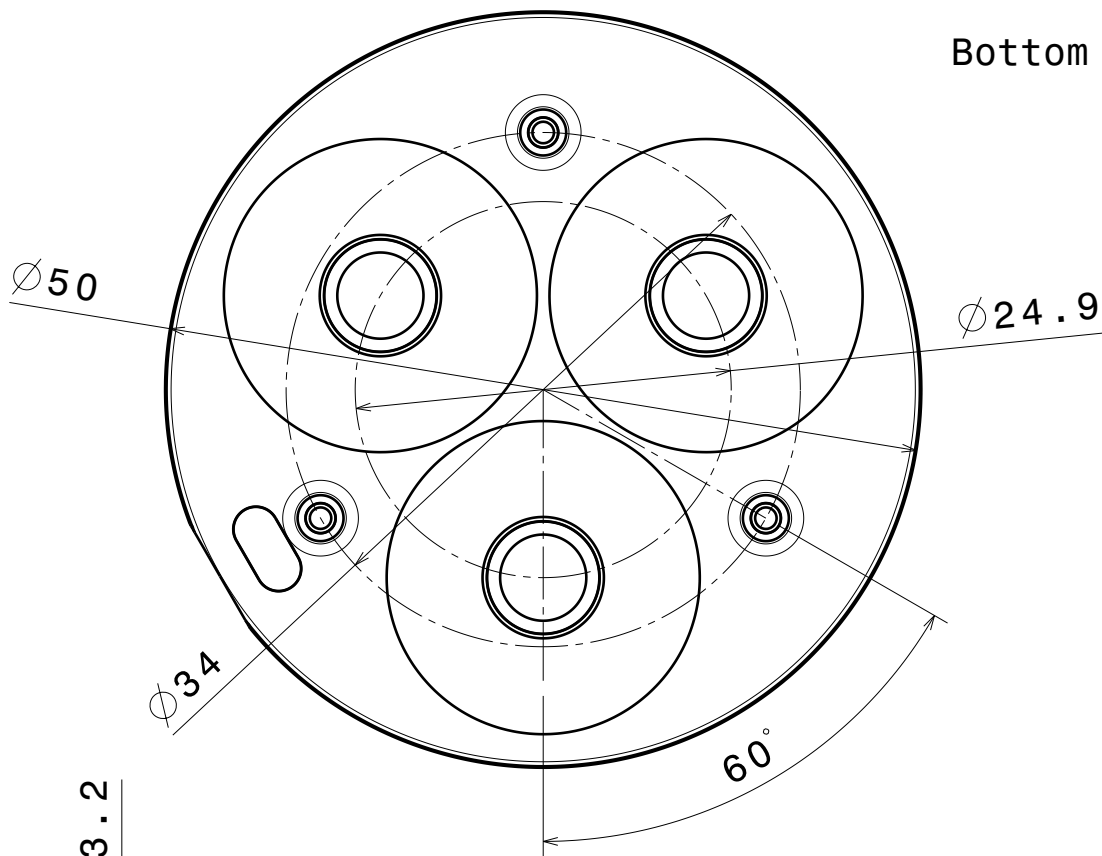
D

C

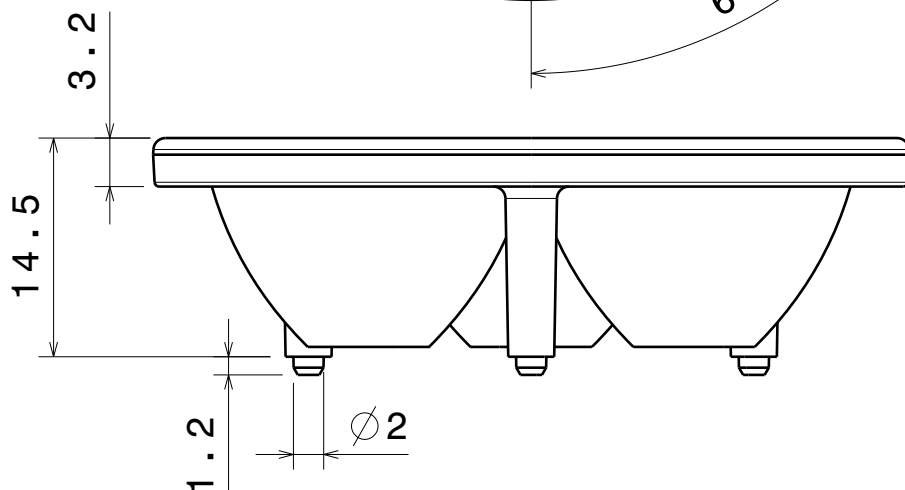
B

A

Bottom view



Front view



Part no.s:
 C11191_Tuija-3-W
 C11192_Tuija-3-SS
 C11193_Tuija-3-M

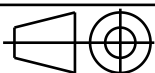
INDEX	DESCRIPTION	MATERIAL	COLOUR
1	TUIJA3_LENS	PMMA	

Tolerances if not otherwise shown
 According to DIN ISO 2768-1
 Linear measures:
 up to 30mm class M, otherwise class C
 According to DIN ISO 2768-2
 Form and position: class L

LEDiL

Ledil Oy
 Salorankatu 10
 FIN 24240 SALO
 Finland

THIRD ANGLE PROJECTION:



DRAWING TITLE

TUIJA3 lens family

This drawing is the property
 of LEDiL Oy. It may not be
 reproduced, copied or
 communicated without a written
 agreement with LEDiL Oy.

SIZE PART NUMBER

A4

-

SCALE 2:1 WEIGHT

-

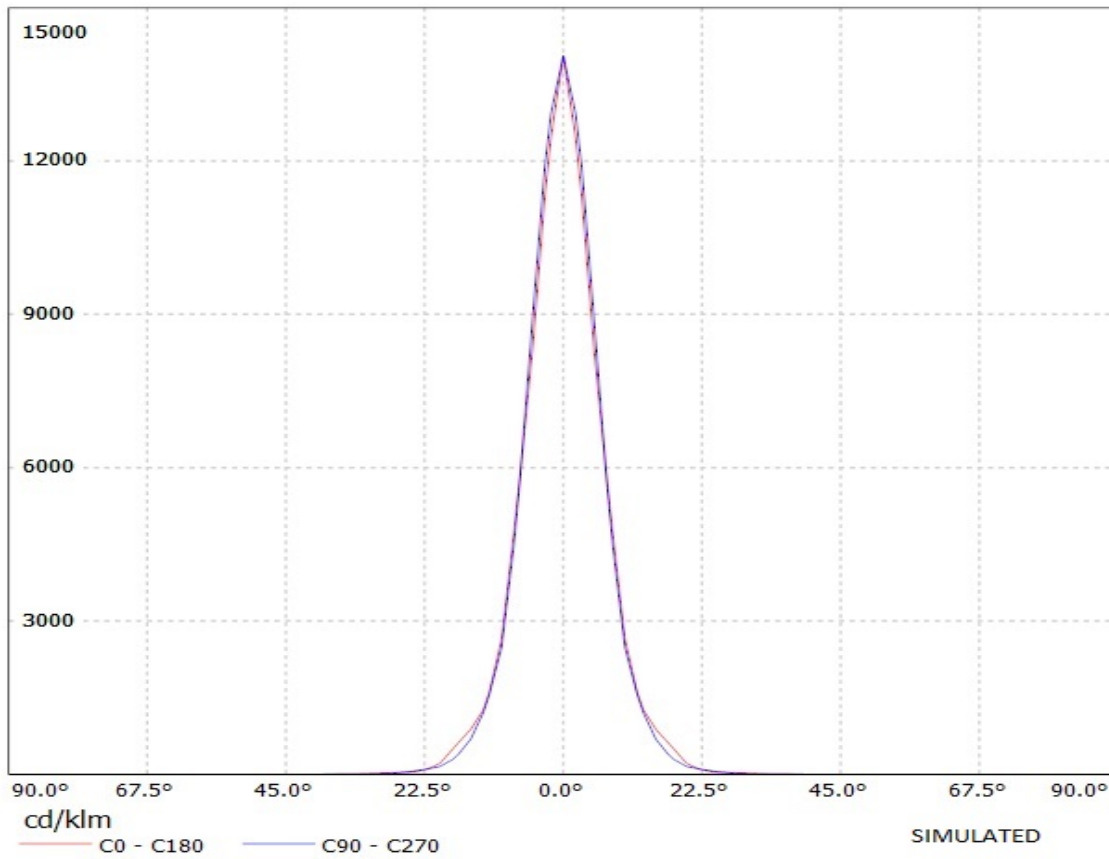
SHEET 1/1

D

A

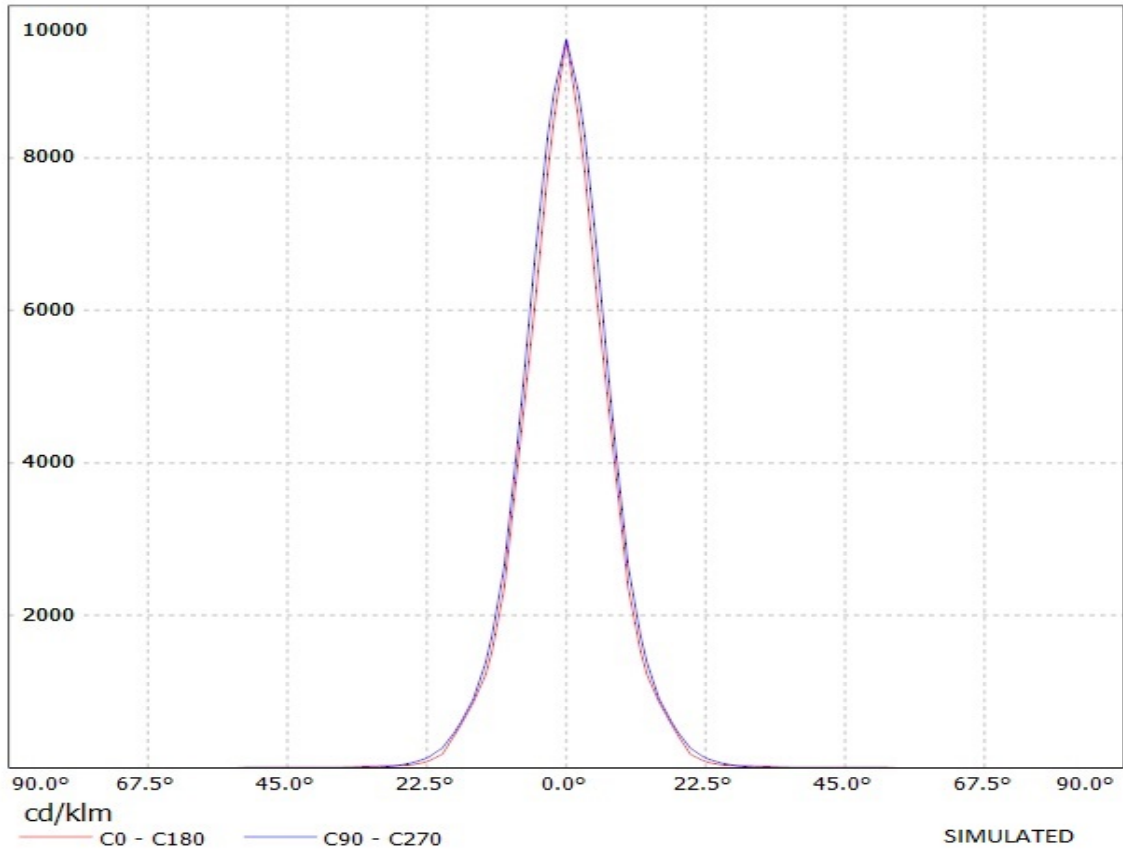
Ledil Oy C11192_Tuija-3-SS-XP. C11192_Tuija-3-SS-XP / LDC (Linear)

Luminaire: Ledil Oy C11192_Tuija-3-SS-XP. C11192_Tuija-3-SS-XP
Lamps: 1 x 3xCree XP-E 228lm 250mA



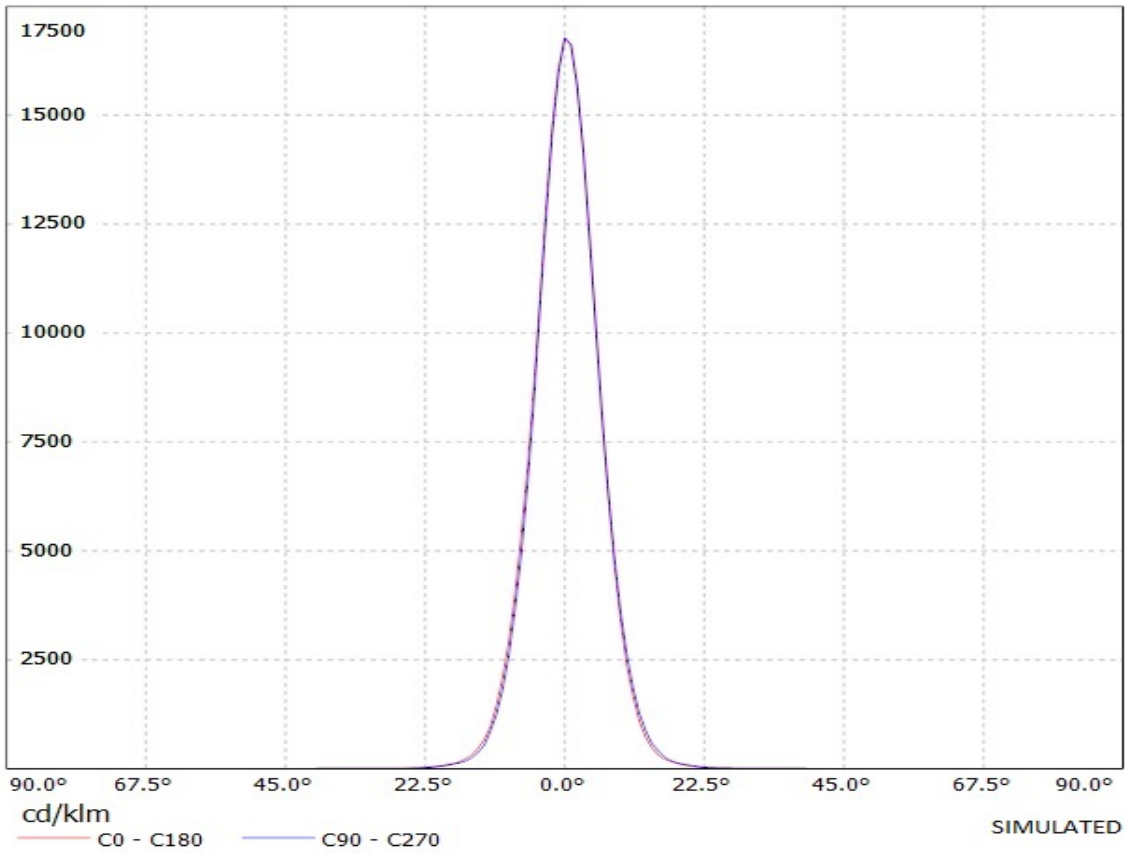
Ledil Oy C11192_Tuija-3-SS-XP-G C11192_Tuija-3-SS-XP-G / LDC (Linear)

Luminaire: Ledil Oy C11192_Tuija-3-SS-XP-G C11192_Tuija-3-SS-XP-G
Lamps: 1 x 3xCree XP-G 276lm 250mA

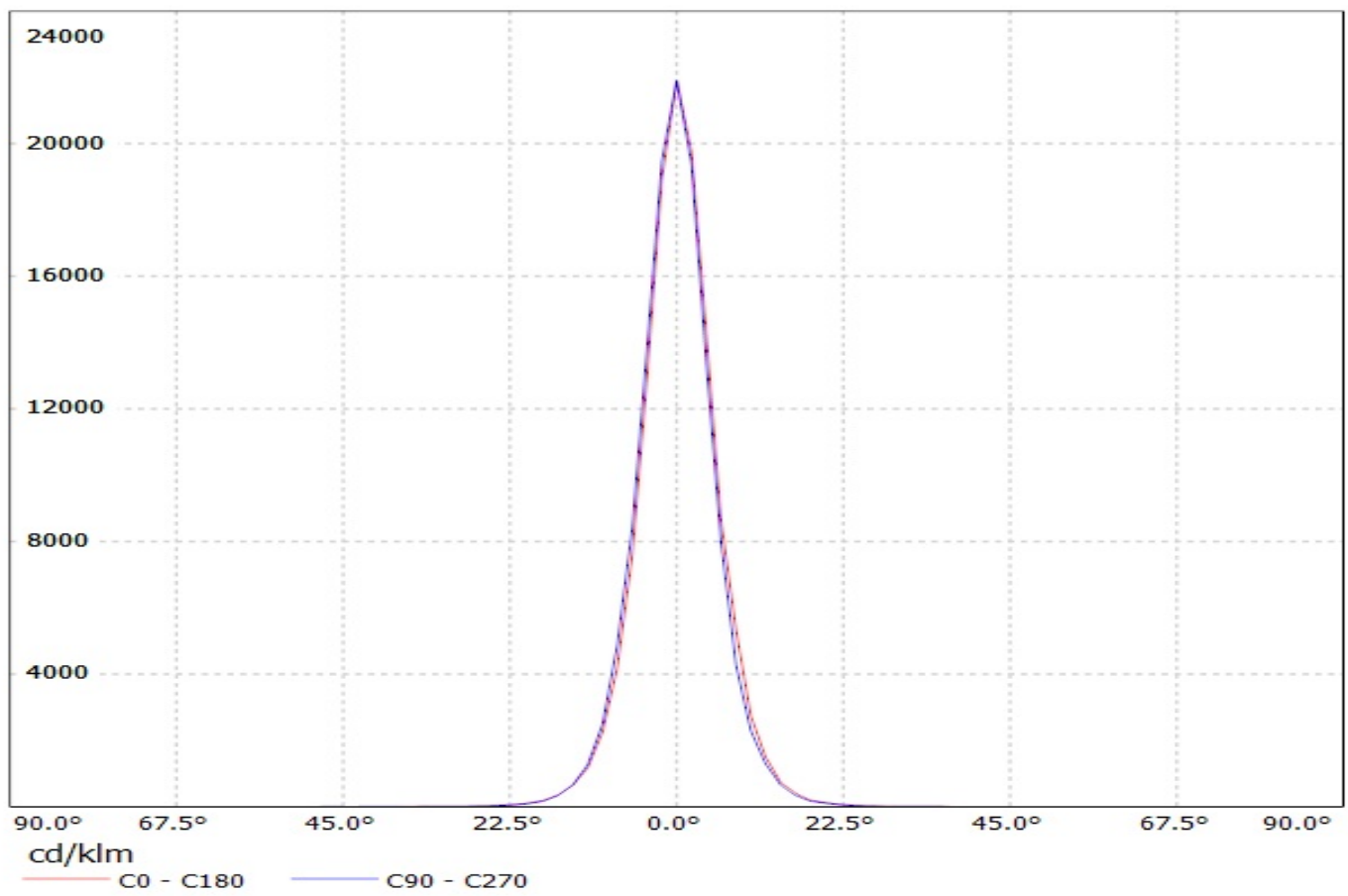


Ledil Oy C11192_Tuija-3-SS-RE C11192_Tuija-3-SS-RE / LDC (Linear)

Luminaire: Ledil Oy C11192_Tuija-3-SS-RE C11192_Tuija-3-SS-RE
Lamps: 1 x LED



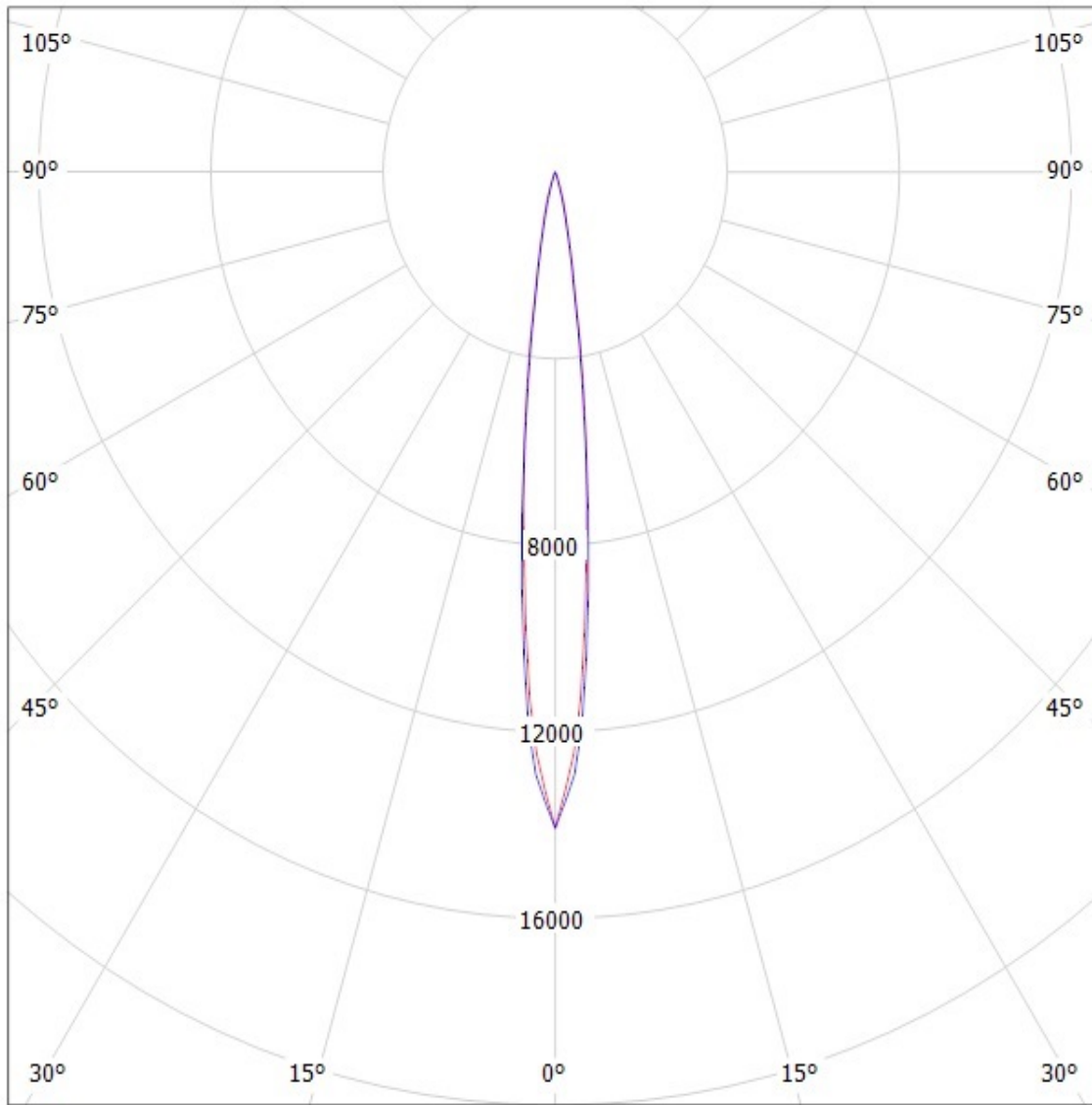
Luminaire: Ledil Oy C11192_TUIJA-3-SS (Seoul Z5 223lm @ 250mA) Efficiency=93%
Lamps: 1 x Seoul Z5 223lm @ 250mA



Ledil Oy C11192_Tuija-3-SS-XP. C11192_Tuija-3-SS-XP / LDC (Polar)

Luminaire: Ledil Oy C11192_Tuija-3-SS-XP. C11192_Tuija-3-SS-XP

Lamps: 1 x 3xCree XP-E 228lm 250mA



cd/klm

— C0 - C180

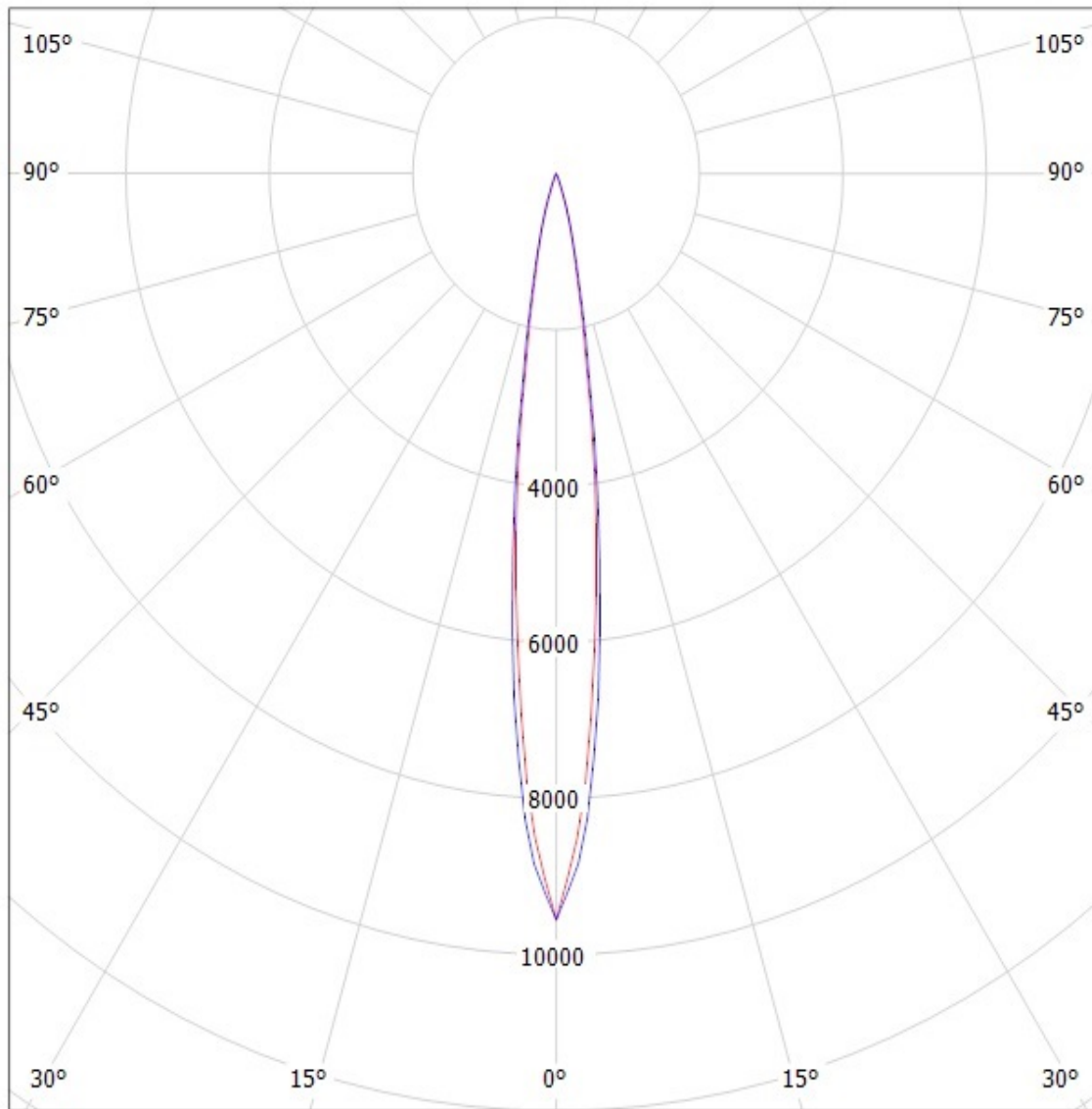
— C90 - C270

SIMULATED

Ledil Oy C11192_Tuija-3-SS-XP-G C11192_Tuija-3-SS-XP-G / LDC (Polar)

Luminaire: Ledil Oy C11192_Tuija-3-SS-XP-G C11192_Tuija-3-SS-XP-G

Lamps: 1 x 3xCree XP-G 276lm 250mA



cd/klm

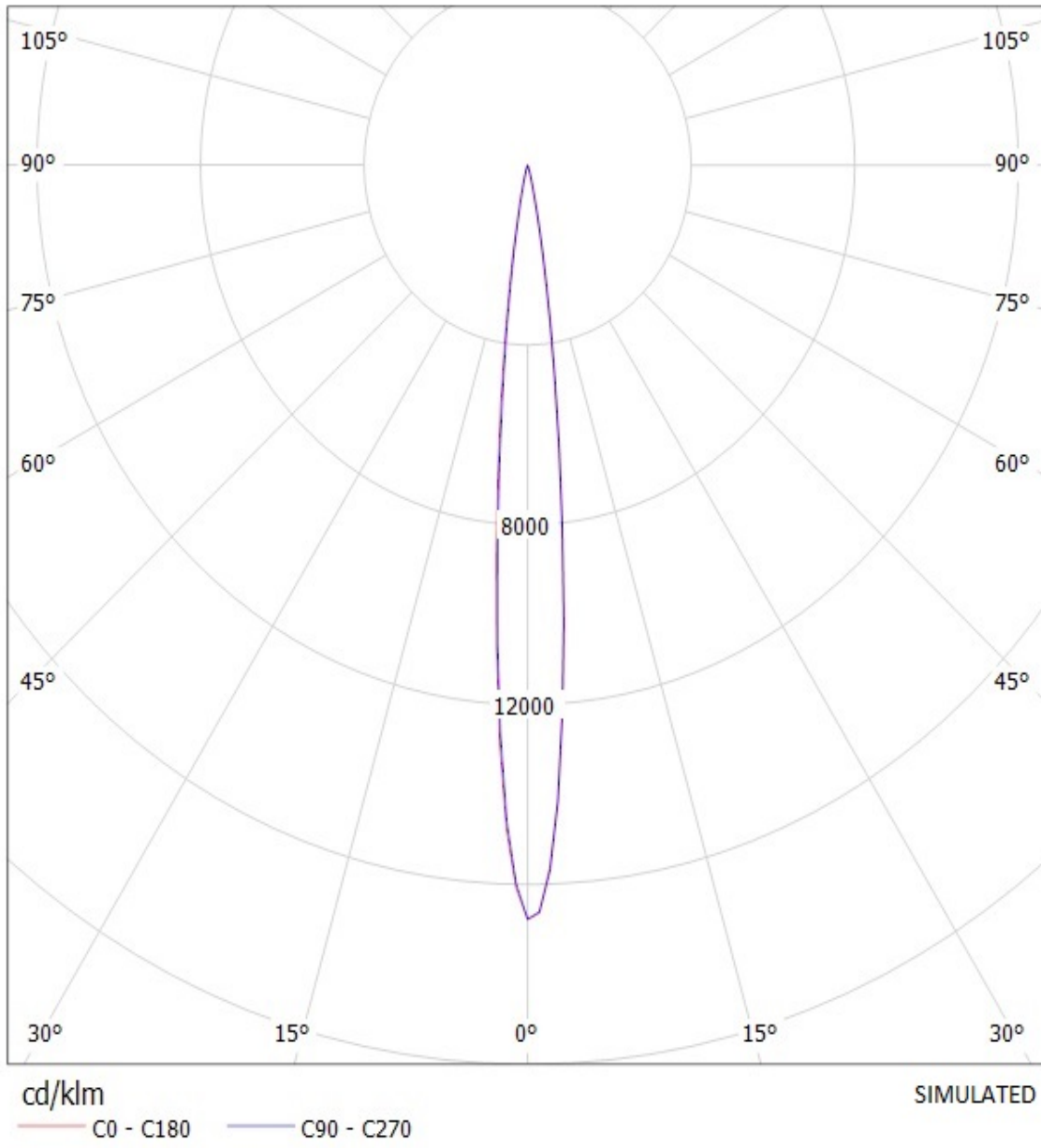
— C0 - C180

— C90 - C270

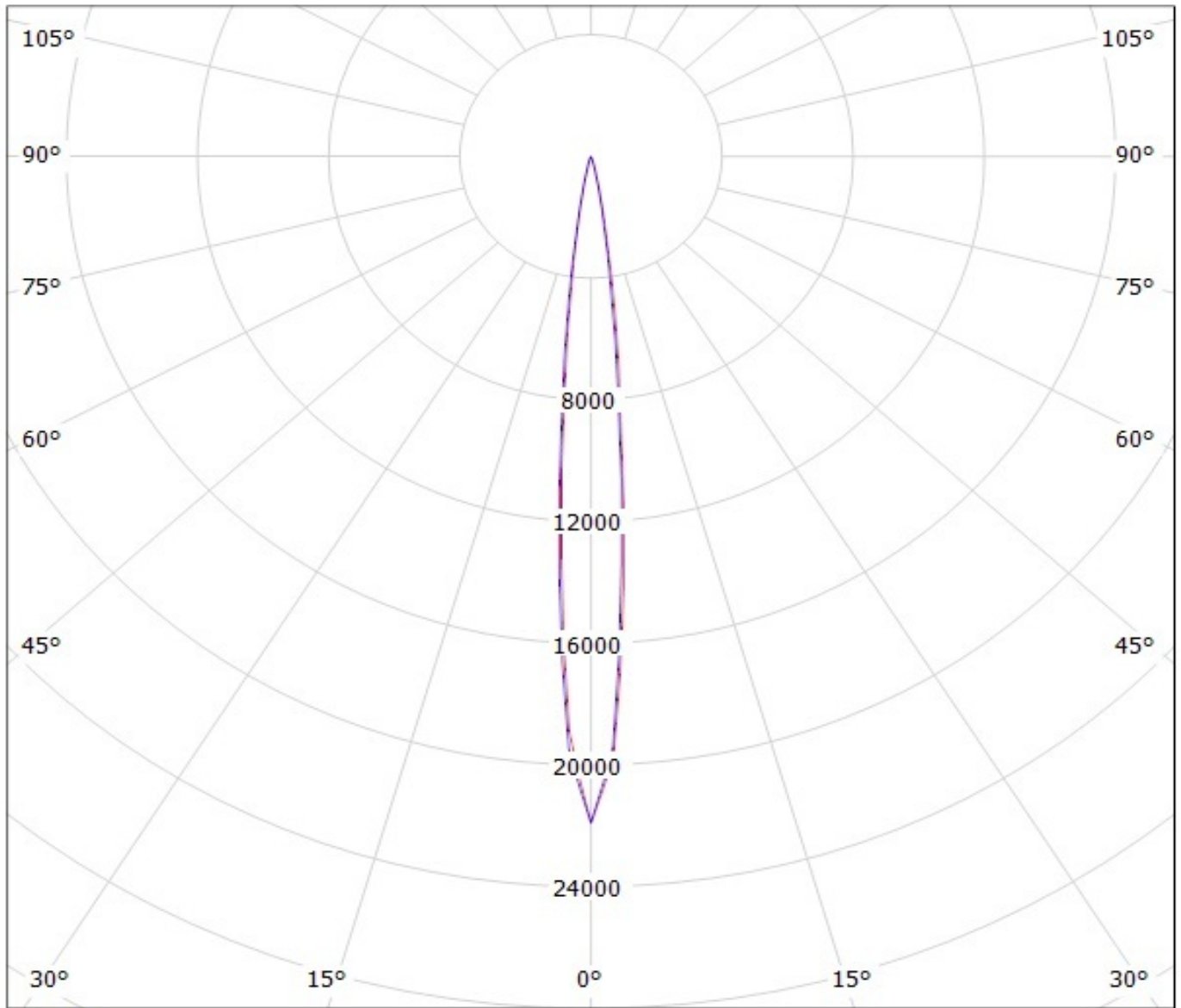
SIMULATED

Ledil Oy C11192_Tuija-3-SS-RE C11192_Tuija-3-SS-RE / LDC (Polar)

Luminaire: Ledil Oy C11192_Tuija-3-SS-RE C11192_Tuija-3-SS-RE
Lamps: 1 x LED



Luminaire: Ledil Oy C11192_TUJA-3-SS (Seoul Z5 223lm @ 250mA) Efficiency=93%
Lamps: 1 x Seoul Z5 223lm @ 250mA



cd/klm

— C0 - C180

— C90 - C270

NOTE: The typical divergence will be changed by different color, chip size and chip position tolerance. The typical total divergence is the full angle measured where the luminous intensity is half of the peak value.