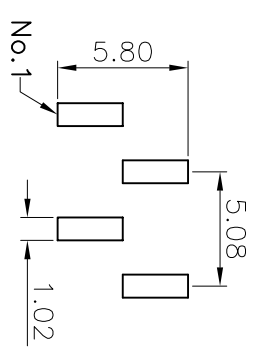
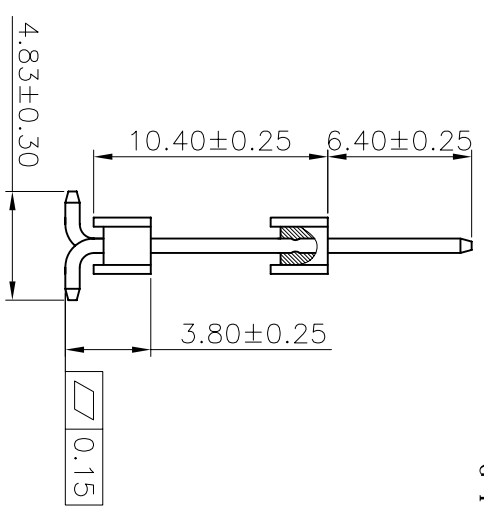
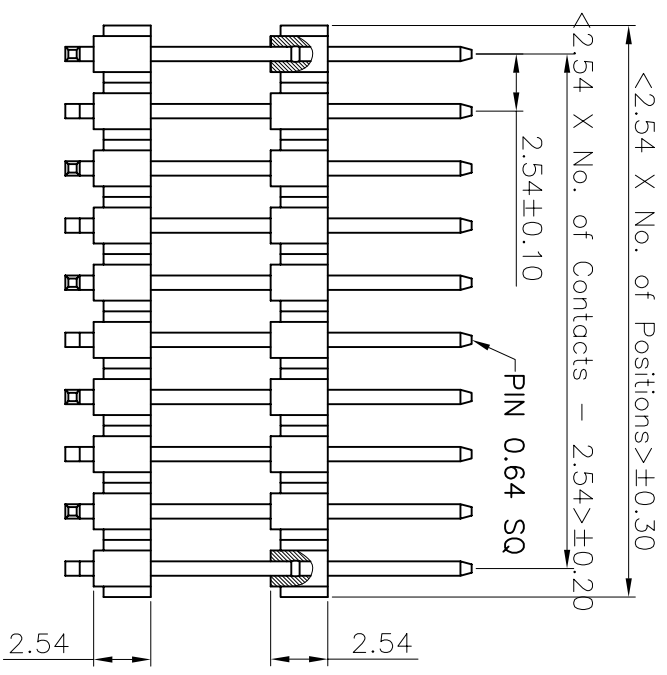
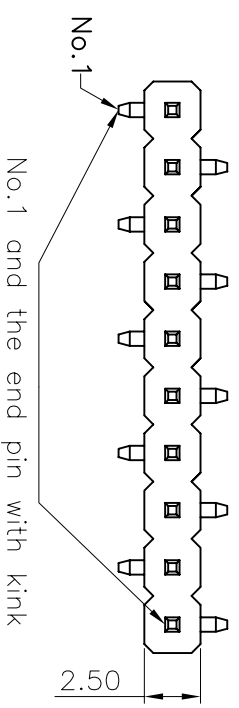


REV.	LOCALS.	DESCRIPTION	DATE	DRAWN
A		INITIAL RELEASE	2007.03.26	
01			2007.03.27	



Recommended P.C. Board Layout

No. of Pins per Row
02-40

Contact Plating
01=Tin
02=Gold Flash
Duplex plating
05=Gold flash/Tin
...

Ordering Information

G PHC102 - XX XX A 08

Materials
 Contact Material: Brass
 Insulation Material: Polyester, UL 94V-0
 Nylon 6T
 All materials must be GP materials

Specifications
 Current Rating: 3Amp
 Insulation Resistance: 1000MΩ Min.
 Dielectric Withstanding: 600V AC/DC
 Contact Resistance: 20mΩ Max.
 Operating Temperature: -40°C to +105°C

REV. 01		UNIT. mm	SCALE. 5:1	PAGE. 1/1		
格菱股份有限公司 Greenconn Corporation					GENERAL TOLERANCE	
X' ± 5'		X. ± 0.30		DESIGN: 皮洪斌		
X' ± 2'		X. ± 0.20		CHECKED:		
XX' ± 1'		XX. ± 0.15		AUDITED:		
.XXX ± 0.5'		.XXX ± 0.10		APPROVED:		
DATE: 2007.03.27			DATE: 2007.03.27			
DATE:			DATE:			
DATE:			DATE:			
DATE:			DATE:			
DWG. NO. G PHC102-A08			PART NO. G PHC102-XX XX A 08			
TITLE: 2.54 PIN HEADER			SINGLE ROW SMT TYPE			
BASE 2.54H						