

VECO VANSONIC ENTERPRISE CO.,LTD.

8F.,No.7,Lane 16, Sec.2, Szechwan Road, Panchiao, Taipei Hsien, TAIWAN.

TEL: +886-2-29626335

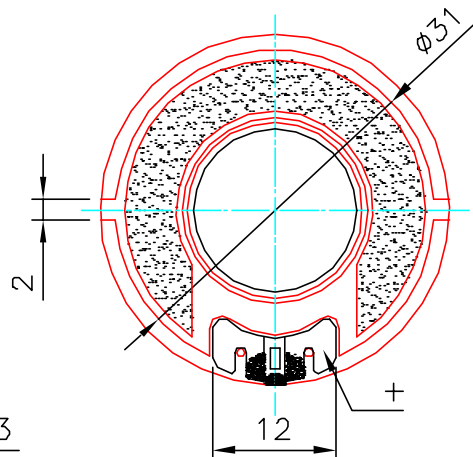
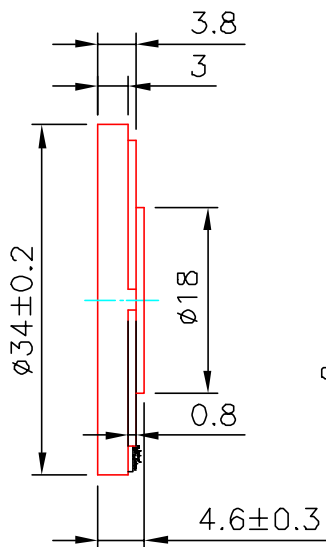
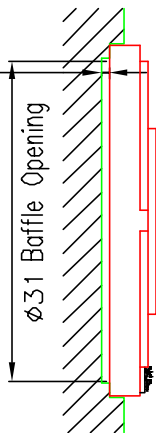
FAX: +886-2-29625220

E-MAIL: vansonic@ms4.hinet.net

1.	MODEL:	34CS16G -M38ND(Black Mylar)-M38NT(Clear Mylar)					
2.	Dimension	Outer Diameter	34	mm.	Baffle Opening	31	mm.
		Height	Refer to Drawing .		Weight	5.4	Grams.
3.	Magnet	Materials	Rare Earth .		Size	ϕ 12.5X 1.5	mm.
4.	Nominal Impedance	16 Ohm	\pm	15	%	At	1000 Hz.
5.	Power Rating	Normal	200	mW.	Maximum	400	mW.
6.	Lowest Resonant Frequency	350	\pm	15		%	Hz.
7.	Output Sound Pressure Level (S.P.L.)	81	\pm	3	db / 0.2 Watt	0.5 Meter.	
		Average at		800, 1000, 1200, 1500	Hz.		
8.	Frequency Range	200	~	20000		Hz. Average SPL - 10 db.	
9.	Distortion	5	%	Maximum At	1000	Hz.	200 mW.
10.	Abnormal Sound Test	Must Be Normal Test By		1.8	Volts.	Sine Wave.	
11.	Load Test	White Noise With Weighted Filter		1.8	Volts.(RMS)	24 Hrs.	
12.	Polarity	Diaphragm shall move Forward when Apply a Positive DC.					
		Current to the "+" or "Marked" Terminal.					

MOUNTING NOTICE

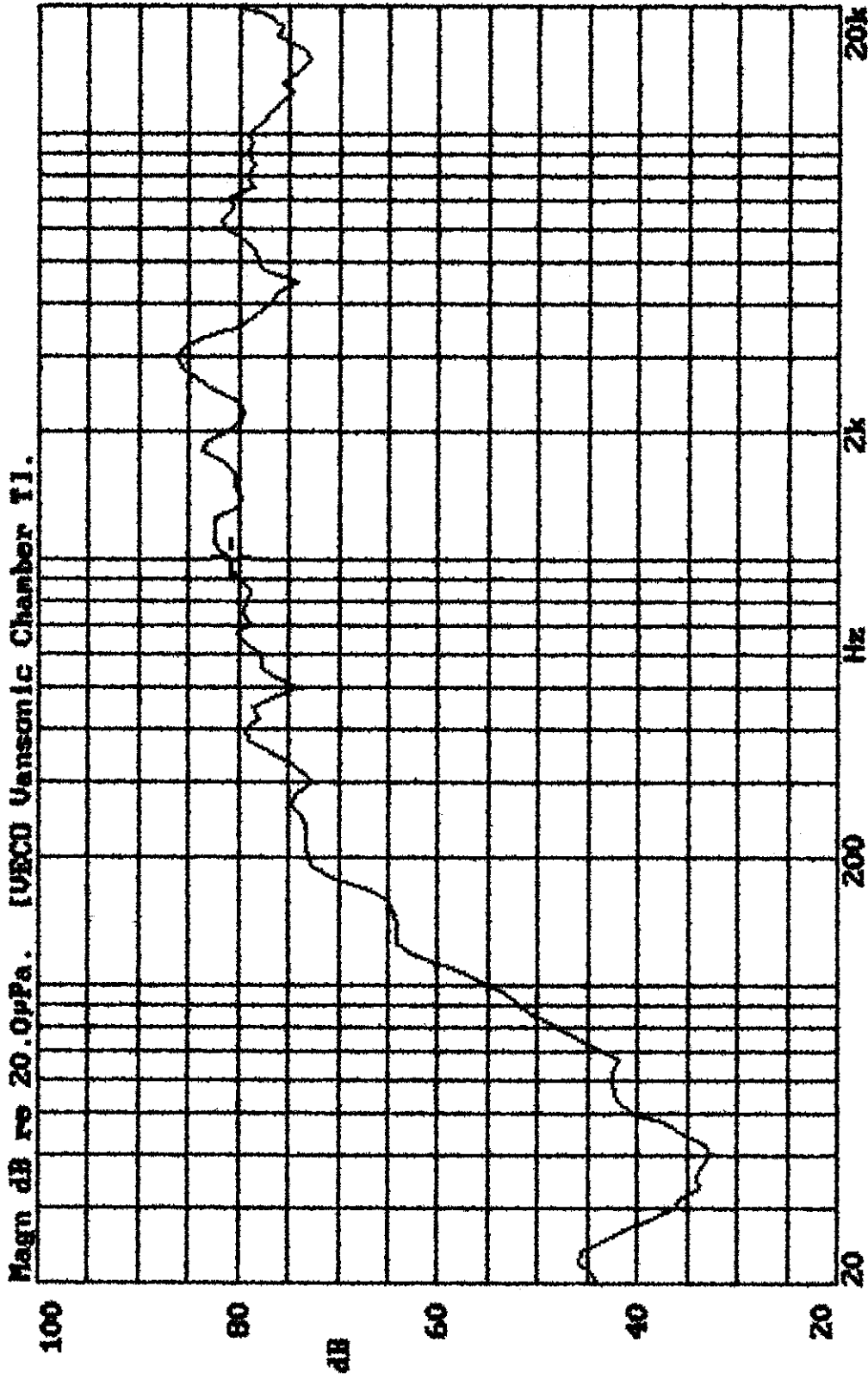
AT LEAST
0.8mm
FOR
DIAPHRAGM
MOVING



Unit : mm

Housing Material : ABS

34CS166-113END VOL:1.769K(0.2M) DIS:0.5M VANSONIC
X:1.0000kHz *Y:80.90dB ZA:1.0000 SSR Fund.



29-JUN-2001 13:49:37

Mode: IMP & Fo

