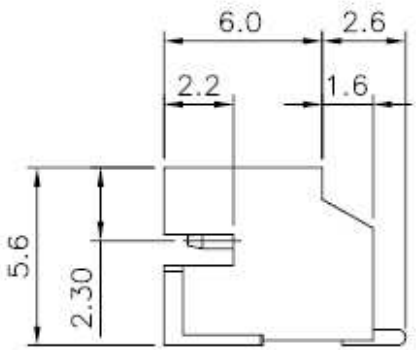
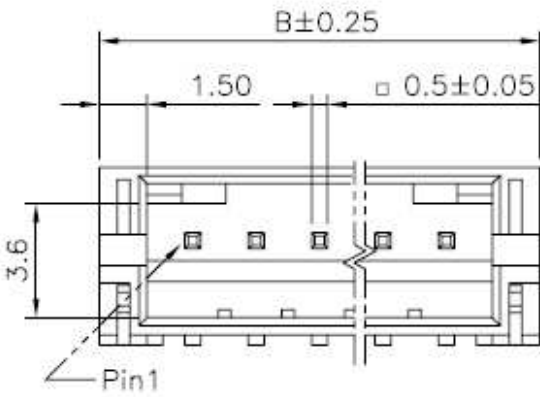


Recommad PCB Layout



■ SPECIFICATIONS

- Voltage Rating : 100V AC/DC
- Current Rating : 2A AC/DC
- Withstanding Voltage : 800V AC/minute
- Insulation Resistance : 1,000MΩ min
- Temperature Range : - 25°C to + 85°C
- Contact Resistance : 20mΩ max

■ WAFER

- Part No. : JS-1261R-XXX


- Poles : 2-15
- Material : Contact : Phos. Brass, Tin Plated
Base : Nylon 9T UL94V-0

Poles	Part No.	Dimensions(mm)	
		A	B
2	JS-1261R-02	2.00	8.00
3	JS-1261R-03	4.00	10.00
4	JS-1261R-04	6.00	12.00
5	JS-1261R-05	8.00	14.00
6	JS-1261R-06	10.00	16.00
7	JS-1261R-07	12.00	18.00
8	JS-1261R-08	14.00	20.00
9	JS-1261R-09	16.00	22.00
10	JS-1261R-10	18.00	24.00
11	JS-1261R-11	20.00	26.00
12	JS-1261R-12	22.00	28.00
13	JS-1261R-13	24.00	30.00
14	JS-1261R-14	26.00	32.00
15	JS-1261R-15	28.00	34.00

oznaczenie MARITEX: WS-XXDH

 喬訊電子工業股份有限公司
CHYAO SHIUNN
ELECTRONIC INDUSTRIAL LTD.

PART NO JS-1261R-XX
2.00mm crimp style connectors Wafer

APPROVED BY	SCALE	UNIT	TOLERANCE
林陳鏞	4:1	mm	.0 ±0.3
CHECKED BY	PROJ	VER NO.	.00 ±0.2
林勇生		a1	.000 ±0.1
DRAWN BY	DATE	SIZE	ANGLE
余秀麗	2005/04/27	A4	0° ±
			.0° ±

LTR	REVISION RECORD	DATE
ECR	200504-016	2005/04/28