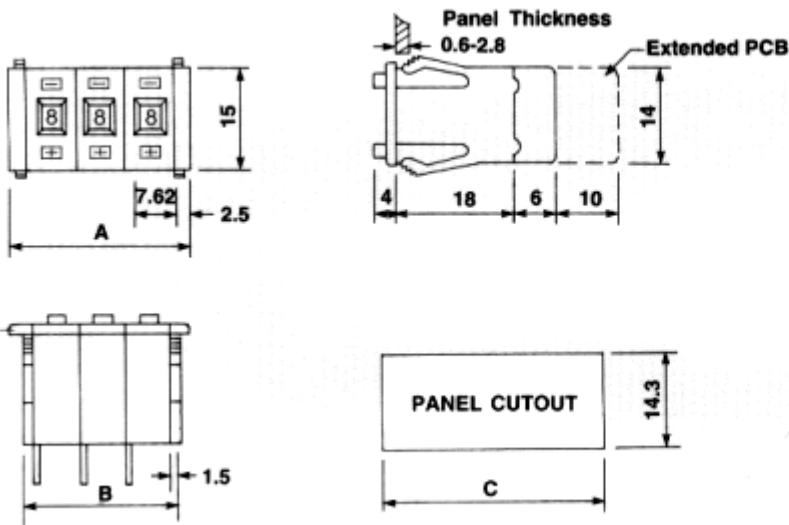


Units: mm  
(1mm = 0.03937 in)



$$A = (7.62 \times N) + 5$$

$$B = (7.62 \times N) + 3$$

$$C = (7.62 \times N) + 3.3$$

N = Number of Sections

This series can also provide a special width (2.5mm) of Blank.

ORDERING NO. : GPF52 □□□□

## OUTPUT TRACE

