

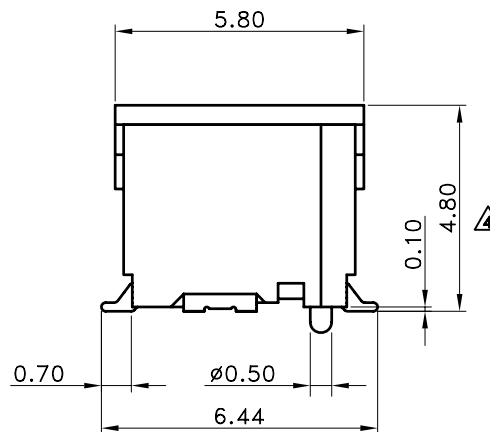
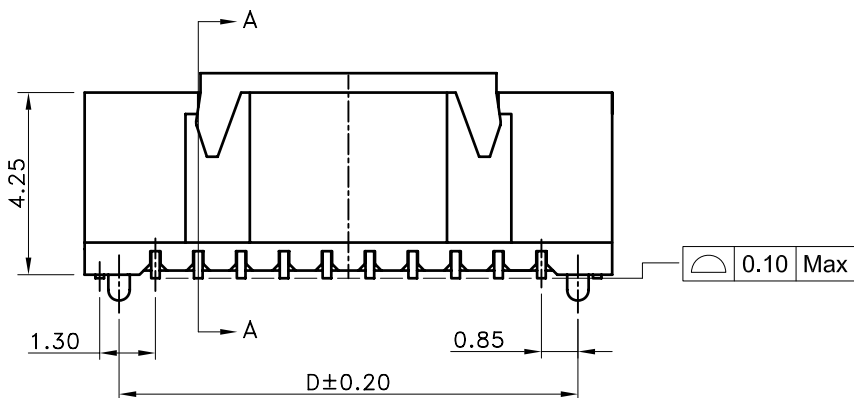
△ RECOMMENDED PCB LAYOUT

■ SPECIFICATIONS

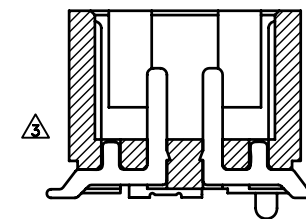
- Current Rating : 1A AC/DC
- Withstanding Voltage : 500V AC/minute
- Insulation Resistance : 100MΩ min
- Temperature Range : - 25°C to + 85°C
- Contact Resistance : 20mΩ max

■ WAFER

- Part No. : JS-1254D-XXx2(XX)XX
- Poles ← Color
- Plated ← Blank : Nature BK : Black
- Blank : Gold Plated NM : Matte-Tin Plated
- Poles : 10x2, 15x2, 20x2, 25x2
- Material : 1. Contact : Phos. Bronze
2. Solder Nail : Brass
3. Base : Nylon 9T UL94V-0
- Q' ty : 1,000 pcs./Reel /With Cap



Poles	Dimensions(mm)			
	A	B	C	D
10x2	9.00	12.30	10.50	10.70
15x2	14.00	17.30	15.50	15.70
20x2	19.00	22.30	20.50	20.70
25x2	24.00	27.30	25.50	25.70



A-A Section



喬訊電子工業股份有限公司
CHYAO SHIUNN
ELECTRONIC INDUSTRIAL LTD.

PART NO JS-1254D-XXx2(XX)

1.00mm Wire to Board Connector

APPROVED BY	SCALE	UNIT	TOLERANCE	LTR	REVISION RECORD	NAME	DATE	LTR	REVISION RECORD	NAME	DATE
張育瑞		mm	.0 ±0.30	△	變更原因遺失	余秀麗	2005/05/15	△			
CHECKED BY	PROJ	VER NO.	.00 ±0.20	△	修改圖面內容	黃科源	2007/10/24	△			
王瑞雄		a4	.000 ±0.10	△	膠殼本體增加厚度	黃科源	2009/05/17	△			
DRAWN BY	DATE	SIZE	ANGLE		Layout尺寸錯誤修正並修改增加蓋子後之高度變化	王誠賢	2011/07/26		CUSTOMER		
王誠賢	2011/07/26	A4	0° ±1°	△					Conforms to The RoHS Instruction		
			.0° ±	△							
			SHEET	1/1	△						