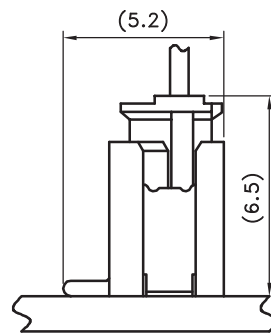
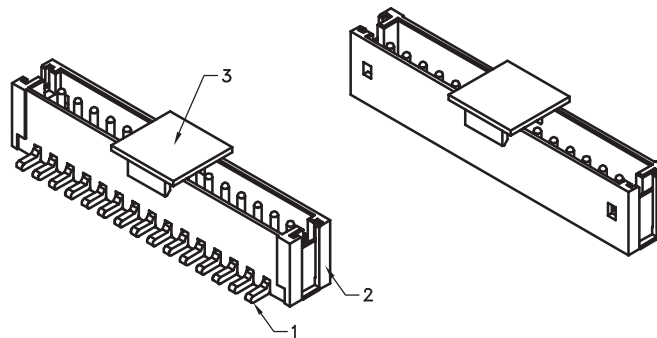
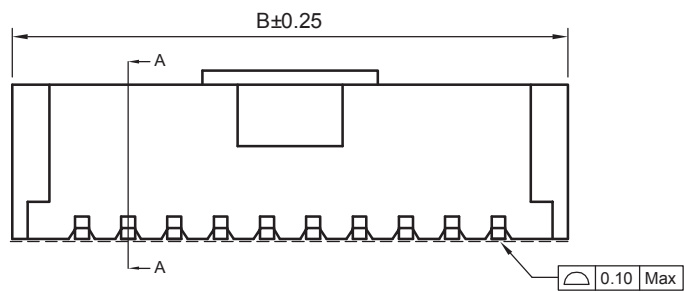
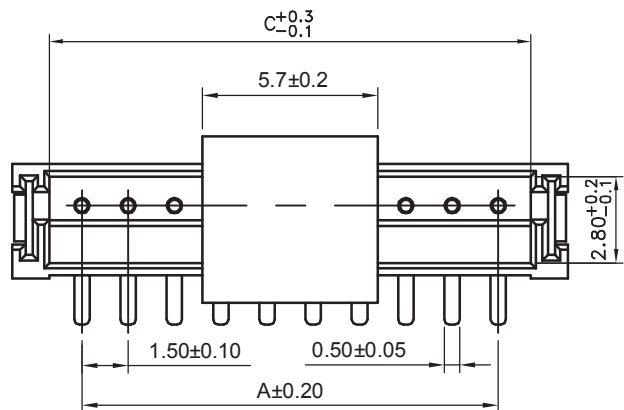
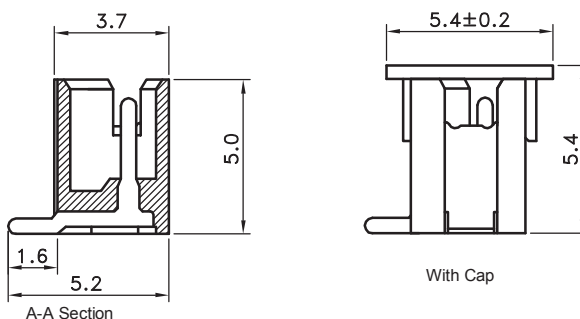


Recommend PCB Layout



Assembly Layout (REF.)



■ SPECIFICATIONS

- Voltage Rating : 50V AC/DC
- Current Rating : 1A AC/DC
- Withstanding Voltage : 500V AC/minute
- Insulation Resistance : 500MΩ min
- Temperature Range : - 25°C to + 85°C
- Contact Resistance : 20mΩ max

■ WAFER

- Part No. : JS-1174V-XX (XX)XX  
Code No. ① ② ③
- ① Poles No. : 2 ~ 15 (Straight)

⊠ ② Contact Plated :

- Blank : Tin Plated
- NM : Matte -Tin
- G : Gold Plated

⊠ ③ Base Color :

- Blank : Natural
- RD : Red
- GR : Green
- BU : Blue

• Material :

- 1. Contact : Brass, Plated: Refer Above Options
- 2. Base: Nylon 9T UL94V-0
- 3. Cap: Nylon PA46 UL94V-0

• Mating Housing : JS-1173-XX

• Mating Terminal : JS-1173-T

• Packing : Tape & Reel

Poles	Dimensions (mm)		
	A	B	C
2	1.50	6.00	3.60
3	3.00	7.50	5.10
4	4.50	9.00	6.60
5	6.00	10.50	8.10
6	7.50	12.00	9.60
7	9.00	13.50	11.10
8	10.50	15.00	12.60
9	12.00	16.50	14.10
10	13.50	18.00	15.60
11	15.00	19.50	17.10
12	16.50	21.00	18.60
13	18.00	22.50	20.10
14	19.50	24.00	21.60
15	21.00	25.50	23.10



喬訊電子工業股份有限公司

CHYAO SHIUNN  
ELECTRONIC INDUSTRIAL LTD.

APPROVED BY

SCALE

UNIT

TOLERANCE

LTR

REVISION RECORD

NAME

DATE

LTR

REVISION RECORD

NAME

DATE

張育瑞

mm

.0 ±0.30

△ ECR RoHS compliant

龔志紅

2005/05/23

△

合併圖面，增加顏色選項

吳弘文

2012/08/20

CHECKED BY

PROJ

VER NO.

.00 ±0.20

△

ECR200506-003

龔志紅

2005/06/07

△

黃科源

φ8

.000 ±0.10

△

ECR 200601-008

陳文松

2006/01/06

△

DRAWN BY

DATE

SIZE

0° ±1°

△

ECR 200802-014

黃科源

2008/02/26

△

CUSTOMER

吳弘文

2012/08/20

A4

.0° ±

△

ECR 200805-011

黃科源

2008/05/27

△

SHEET 1/1

△

ECR 200903-007

林文泰

2009/03/13

△

ECR 200912-003

2009/12/17

Conforms to The RoHS Instruction

PART NO JS-1174V-XX

1.50mm SMT Series Wire to Board Connector Wafer