

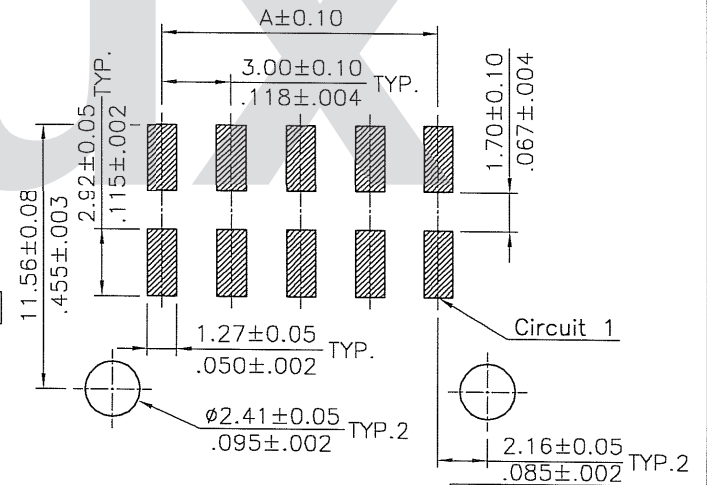
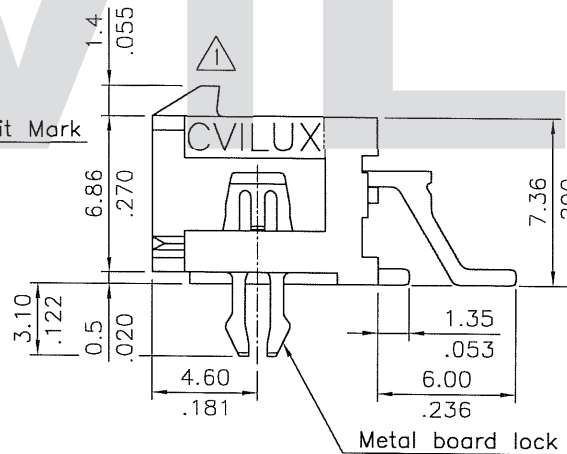
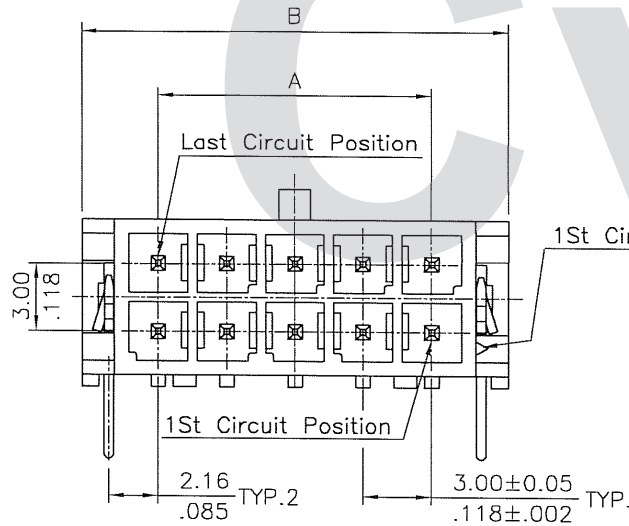
Material:  
 \* Insulation: Nylon 6T UL 94V-0  
 Color Black  
 \* Contact: Brass

Ordering Code:

CP35 \*\* P \* H S 0  
 ① ② ③ ④ ⑤ ⑥ ⑦

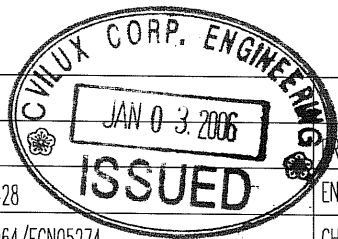
CIRCUITS	DIM. A	DIM. B
2	—	6.7(.264)
4	3.00(.118)	9.7(.382)
6	6.00(.236)	12.7(.500)
8	9.00(.354)	15.7(.618)
10	12.00(.472)	18.7(.736)
12	15.00(.591)	21.7(.854)
14	18.00(.709)	24.7(.972)
16	21.00(.827)	27.7(1.091)
18	24.00(.945)	30.7(1.209)
20	27.00(1.063)	33.7(1.327)
22	30.00(1.181)	36.7(1.445)
24	33.00(1.299)	39.7(1.563)

- ① Series No.
- ② No. of Circuits: 02~24
- ③ Contact type: P= Plug
- ④ Contact plated:  
 1= Tin Plated over Nickel  
 A= Selective Gold Flash Plated over 1.27μm(50μ") Nickel  
 B= Selective 0.38μm(15μ") Gold Plated over 1.27μm(50μ") Nickel  
 C= Selective 0.76μm(30μ") Gold Plated over 1.27μm(50μ") Nickel
- ⑤ H= Right angle type
- ⑥ Mount type : S= SMT Type
- ⑦ Other options: 0= With metal board lock (Standard)



Recommended P.C. Board Layout

RoHS Compliant



SYM	NAME	DATE	REVISIONS	APPROVED BY:	DATE	UNIT: mm / inch
4						TOLERANCE UNLESS OTHERWISE SPECIFIED
3						.X ± 0.30/.012 X' ± 1"
2	Sun	12/12-05	ECN05428	ENGINEER: Sun	12/12-05	.XX ± 0.20/.008 X' ±
1	Casey	08/12-05	ECR05064/ECN05274	CHECKED BY: Casey	12/12-05	.XXX ± 0.10/.004 X' ±

TITLE: 3.00mm PITCH RIGHT ANGLE SMT TYPE POWER CONN.  
 MATERIAL:  
 FINISH:

瀚荃股份有限公司  
 CviLux Corporation

DRAWING NO.	CP3507SG	PART NO.	CP35**P*HS0
SCALE	3 / 1	SHEET	1 OF 1