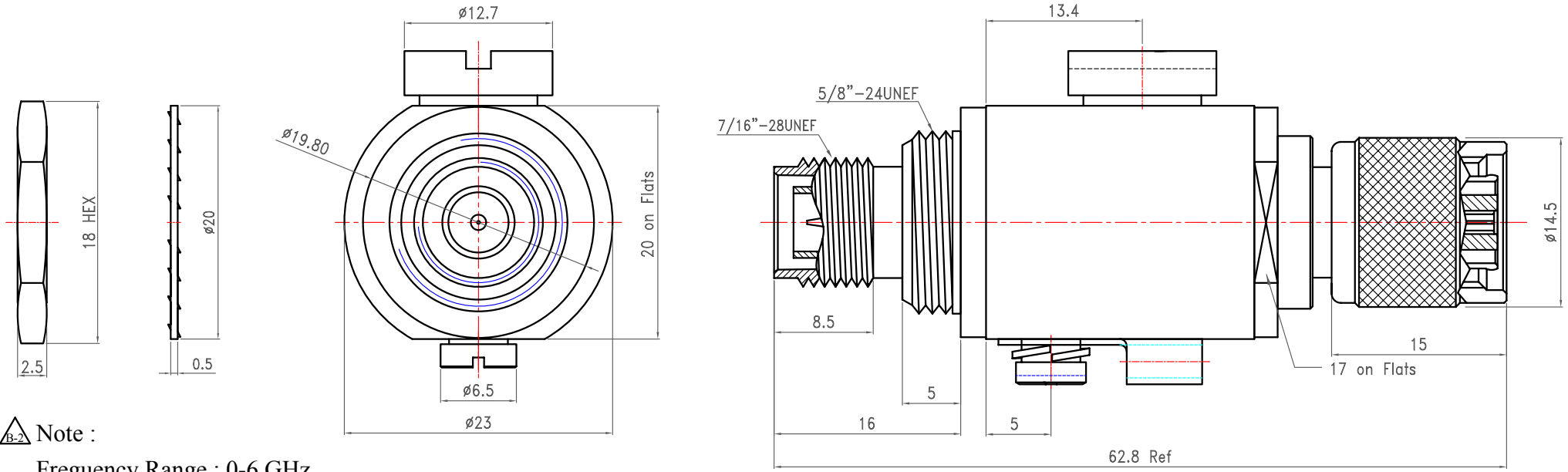


Revisions

Note: Revisions B; B-1; B-2..... On Behalf of Official Drawing.
Revisions 1; 2; 3; 4..... On Behalf of Experiment's Drawing.

ISS	Symbol	Description	Date
B	△ _B	CHE for New Drawing Frame & New PN System	2006/07/10
B-1	△ _{B-1}	Add Ground loose Terminal	2009/05/12
B-2	△ _{B-2}	Add Note for Electrical SPEC.	2010/06/07




△_{B-2} Note :

Frequency Range : 0-6 GHz
 VSWR : 1.5 Max
 Insertion Loss : 0.8 dBi Max
 Impedence : 50 Ω
 Gas Tube DC : 230V \pm 20 %
 Gas Tube Impulse Breakdown Voltage : \leq 700V
 Gas Tube Insulation Resistance : \geq 10000 M Ω
 Max Withstand Current : 5 KV
 RF Power Rating : 15 W

*Change new drawing frame in Blue Color since 2009/07/01 , to comply with Company CIS Policy.

RoHS COMPLIANCE

ITEM	Description	Material	Finish	Part Number	QTY	Scale	Abbr.	Date	Rev.	Proprietary Note	DWG.NO.	
6	Nut	Brass	Nickel			Scale	Abbr.	Date	Rev.	This document contains information proprietary to S-Conn, which is either copyrighted, or patent applied for, and / or protected by trade secret laws. This document or parts thereof, may not be used disclosed or reproduced in any form by any method, or for any purpose, without the written permission of S-Conn, Taiwan	SG03A0N01-1	
5	Washer	Brass	Nickel			NTS	ST	2009.10.13	B-2			
4	Pin	Brass	Gold			Tolerances : .X \pm 0.2 .XX \pm 0.1 .XXX \pm 0.05			All Dimensions in mm (Unless Otherwise Specified)		TITLE. RP TNC Surge Protector	
3	Insulator	PTFE	None			Drawn			Checked			
2	Body	Brass	Nickel			Drawn			Checked			
1	Shell	Brass	Nickel			Drawn			Approved			
						Mark			Ryan		G. Sun	
						2009.10.13			2009.10.13		2009.10.13	
						Customer P/N:			 S-Conn Enterprise Co., Ltd. ISO 9001 Certified			