

### ▲ SPECIFICATIONS

- Current Rating : 1A (Max) AC/DC
- Withstanding Voltage : 125V AC /minute
- Insulation Resistance : 100M  $\Omega$  min
- Temperature Range : - 40°C to + 85°C
- Contact Resistance : 20m  $\Omega$  max

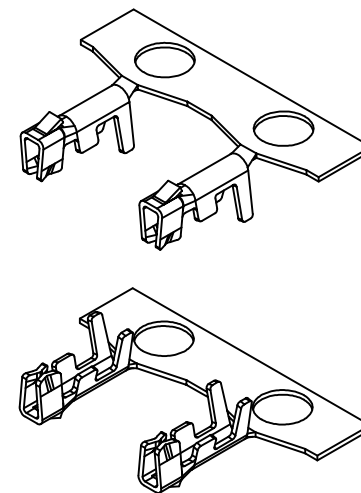
### ■ TERMINAL

- Part No. : JS-1146-TX : GP Produces

①

- ▲ ① Finish : Blank : Tin Plated  
G : Gold Flash

- Applicable Wires : AWG# 28 - 32
- Material : Phos. Bronze
- Thickness : 0.15mm
- Q' ty : 15,000 Pcs./Reel



喬訊電子工業股份有限公司  
CHYAO SHIUNN  
ELECTRONIC INDUSTRIAL LTD.

PART NO JS-1146-TX

1.25mm Crimp Style Connectors Terminal

APPROVED BY	SCALE	UNIT	TOLERANCE	LTR	REVISION RECORD	DATE	LTR	REVISION RECORD	DATE
張育瑞		mm	.0 ±0.3	▲	修正規格表	05/09/20			
CHECKED BY	PROJ	VER NO.	.00 ±0.2	▲	圖面廢止	XX/XX/XX			
周慈雲	⊕	a4	.000 ±0.1	▲	修改公差	10/06/30			
DRAWN BY	DATE	SIZE	ALL ±	▲	新增鍍金規格	15/08/25	CUSTOMER		
林宛盈	2015/08/25	A4	ANGLE				Conforms to The RoHS Instruction		
			0° ±						
			.0° ±						