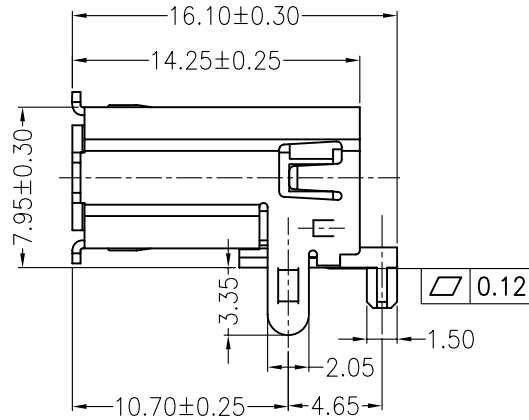
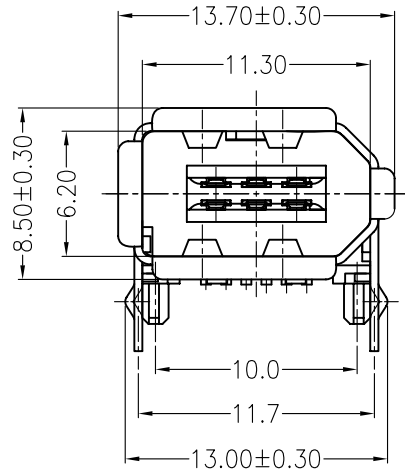


REV	DESCRIPTION	DATE	ECN NO.	CHANGER
A/0	INITIAL RELEASE	09.12.01		



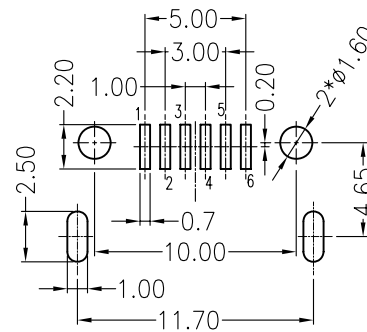
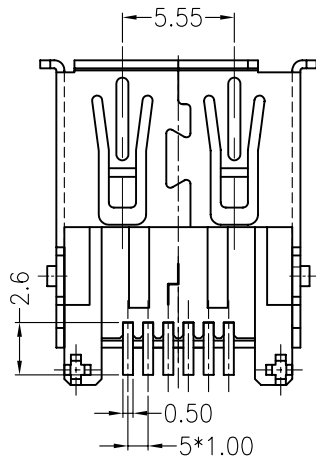
P/N NOTE:

IEE-A1M40F-XX6X

- Shell plate spec:
T=Tin plated, N=Nickel plated
- Housing colour:
B=Black, N=Nature, W=White
- Contact plate spec:
0=FU", 1=3U", 2=6U",
3=15U", 4=30U"

Specification

- 1.Voltage Rating:40V AC
- 2.Current Rating:1.5AMP.
- 3.Insulation Resistance:100MΩ Min.
- 4.Contact Resistance:30mΩ Max.
- 5.Dielectric Withstanding Voltage:500V AC
- 6.Temperature Range:-20°C to +85°C



RECOMMENED PCB LAYOUT

4	Back Shell	Spcc	1	T=0.35mm nickel Plated
3	Front Shell	C2680	1	T=0.40mm nickel Plated
2	Housing	PA6T	1	Nature/Black/White
1	Contact	C2680	6	T=0.20mm Gold/Tin Plated
NO.	VARIETY	MATERIAL	Q'TY	REMARK

CZT[®] DONGGUAN ZHENGDE (YIHUA) CONNECTOR CO., LTD

X. ±0.38	X.* ±4*	UNIT:	mm	DR:	ZOE	TITLE:	1394 6PIN(SOCKET) SMT(PCB 0.6*1.6)		
.X ±0.25	.X* ±2*	3DR:		DE:	JACK				
.XX±0.20	.XX*	SCALE:	1:1	CHKD:		SHEET:	1/1	P/N:	IEE-A1M40F-XX6X
.XXX±0.10	.XXX*	CUSTOMER DRAWING	REV:	A/0	APPD:	D/N:	3416-0040	M/N:	