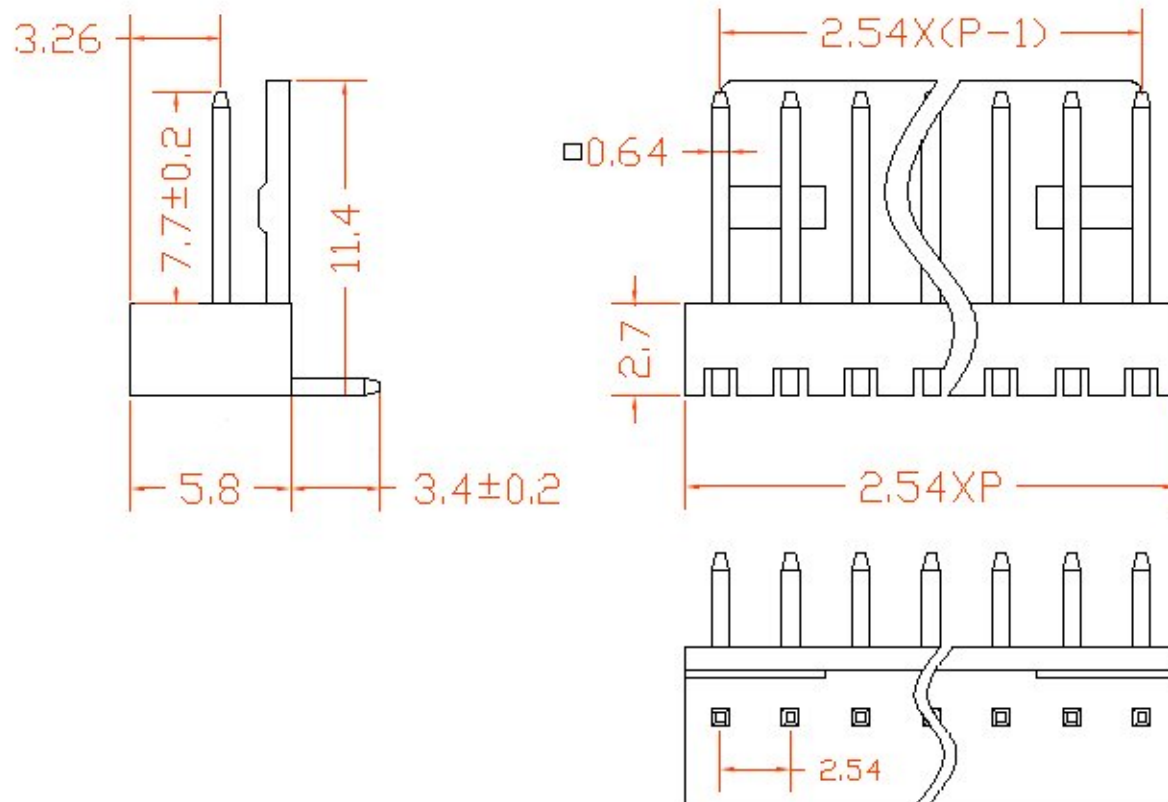


序号/revno	名称/title	文件编号/file no.
1	137M塑料件	QJ/XYT-11164
2	137M端子(弯)	QJ/XYT-11120



## MATERIAL & FINISH

Insulator Material: Nylon 66(UL 94V-0)

Contact Material: Brass

Contact Plated: Tin plated

Number of contacts: 2 Thru 13

序号	针长	A	B	备注
01	18.0	7.7	1.48	常规
02	18.0	7.45	1.75	波兰

要求:

1. 塑料件无裂痕。
2. 整排针成一直线，相邻针之间相互平行。

设计/Designed by	绘图/Drawing by	审核/Checked by	批准/Approved by	未注公差 General Tolerance	
		图名/Title	文件编号/File No.	x. =0.2	x.* =2*
		137M弯针产品图	页序/Sheet	.x =0.1	.x* =1*
备注/Remark				.xx =0.05	.xx* =0.5*
				.xxx =0.01	
				单位/units: mm	