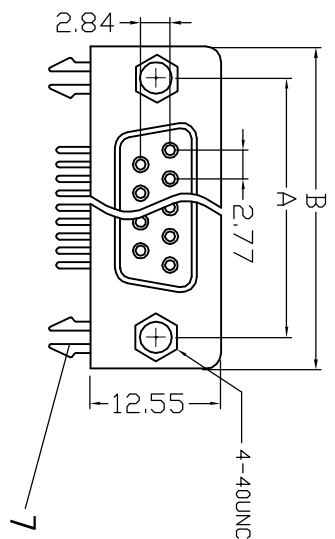
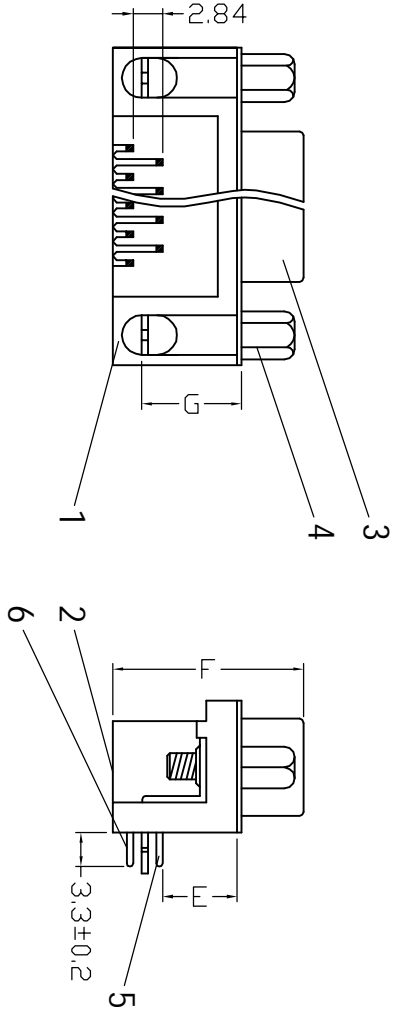


序号/Rev.No.	名称/Title	文件编号/File No.
1	107F 塑件主体	QJ/XYT-11097--11100
2	107 塑件后盖	QJ/XYT-11101--11104
3	107F 铁壳	QJ/XYT-11085--11088
4	DR 螺丝	QJ/XYT-11084
5	107F 端子 (短)	QJ/XYT-11080
6	107F 端子 (长)	QJ/XYT-11081
7	107Z 字片	QJ/XYT-11083

Specifications:

Contact Resistance: 30mΩ max. at dc 100 mA  
 Insulator Resistance: 1000MΩ min. at DC 500V  
 Current Rating: 5AMP

Dielectric Withstanding Voltage: AC 1000V For 1 minute  
 Operating Temperature: -55°C--+105°C  
 Contact: Brass (half gold plating)  
 Housing: PBT &30% Glass Fiber (UL 94V-0)



Position	A	B
9	24.99	30.81
15	33.32	39.20
25	47.04	53.10
37	63.50	69.50

E	F	G
7.2	18.4	9.62
9.4	20.64	12.06
13.84	25.3	16.5

要求:

1. 塑料件无裂痕。
2. 整排端子成一直线，相邻端子之间相互平行。

设计/Designed by	绘图/Drawing by	审核/Checked by	批准/Approved by	未注公差 General Tolerance
				X: ±0.2 X: ±0.1 .XX ±0.05 .XXX ±0.01
		图名/Title	文件编号/File No.	X: ±2° .X ±1° .XX ±0.5° .XXX ±0.01
		107F 产品图	QJ/XYT-12014	mm
序号/Rev.No.	更改记录/Revision note	签名/Signature	日期/Date	单位/Units: