

Circuits	Dimension	
	A	B
2	—	6.7(.264)
4	3.00(.118)	9.7(.382)
6	6.00(.236)	12.7(.500)
8	9.00(.354)	15.7(.618)
10	12.00(.472)	18.7(.657)
12	15.00(.591)	21.7(.854)
14	18.00(.709)	24.7(.972)
16	21.00(.827)	27.7(1.091)
18	24.00(.945)	30.7(1.209)
20	27.00(1.063)	33.7(1.327)
22	30.00(1.181)	36.7(1.445)
24	33.00(1.299)	39.7(1.563)

Material:

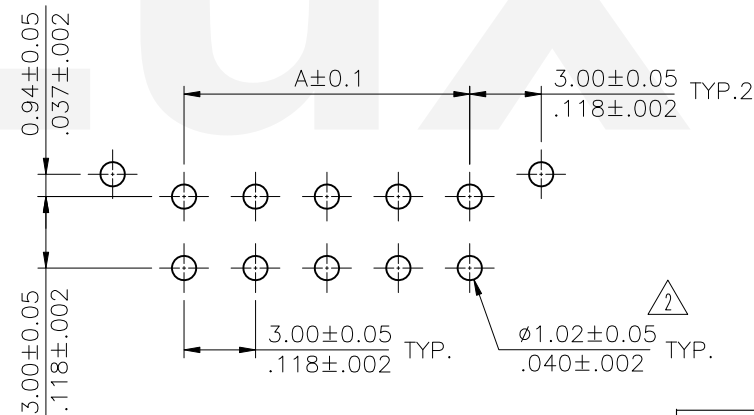
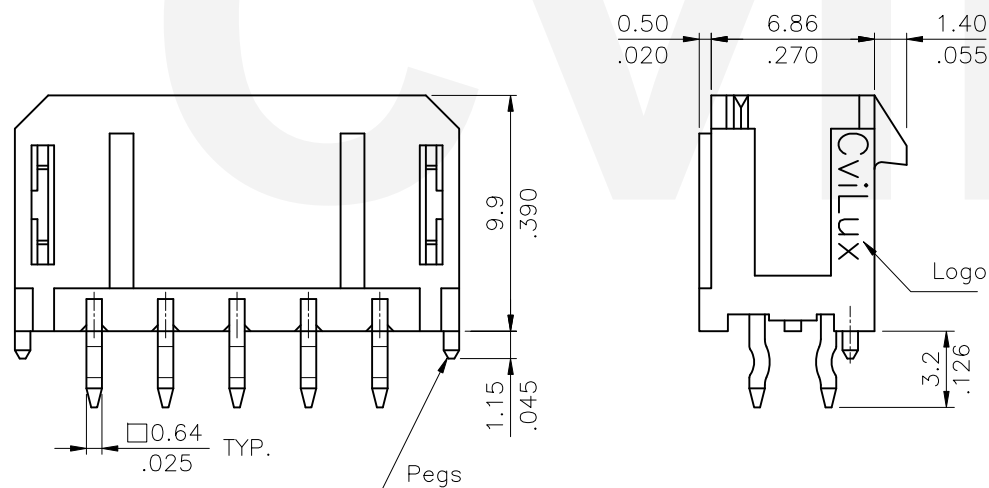
△* Insulation: High Temperature Plastic
Color Black

* Contact: Brass

Ordering Code:

CP35 ** P 1 V 0 0 -LF
① ② ③ ④ ⑤ ⑥ ⑦ ⑧

- ① Series No.
- ② No. of Circuits: 02~24
- ③ Contact type: P = Plug
- ④ Contact plated:
1 = Matte Tin over Nickel
- ⑤ V = Straight
- ⑥ Mount type : 0 = Dip Type
- ⑦ Other options: 0 = With pegs(Standard)
- ⑧ LF = For Lead Free IR Process



Recommended P.C. Board layout

RoHS Compliant

SYM	NAME	DATE	REVISIONS	APPROVED BY:	DATE	UNIT: mm / inch	TITLE: 3.00mm PITCH STRAIGHT HEADER POWER CONNECTOR	瀚荃股份有限公司 CviLux Corporation		
△4								DRAWING NO. CP3550SC PART NO. CP35**P1V00-LF SCALE 3 / 1 SHEET 1 OF 1		
△3										
△2	Kenny	8/20-20'	ECNT120218	ENGINEER:	Sun	8/25-20'				
△1	Michelle	11/12-19'	ECRB11905/ECNT119313	CHECKED BY:	Eisley	8/25-20'				
				APPROVED BY:	Eisley	8/25-20'				

CVILUX
2020.08.27
ISSUED