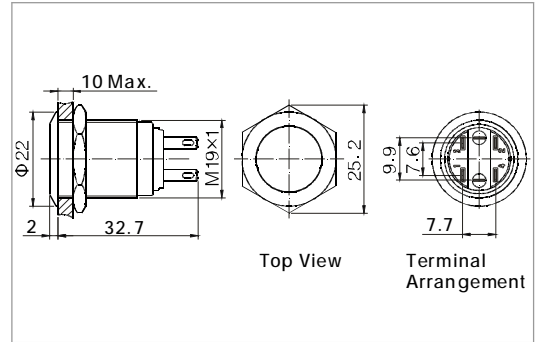


ANTI-VANDAL PUSH BUTTON



SW-GQ19FSL2

- ⊙ Φ 19mm diameter
- ⊙ Switch Rating: 5A/250VAC
- ⊙ Contact Configuration: 1NO1NC
- ⊙ Operation Type: Momentary
- ⊙ The crust material: Stainless Steel
- ⊙ IP Degree: IP65 (IP67 Made to order)



Specification	SW-GQ19FSL2		
The Front Shape	Flat Round		
Terminal Type	Pin Terminal (2.8 × 0.5 mm)		
Switching	No. 2		
Max. Switch Rating	Ith: 5A Ui: 250VAC		
Contact Resistance	≤ 50mΩ		
Insulation Resistance	≥ 1000MΩ		
Dielectric Strength	2000VAC		
Operating Temp	-20°C ~ +55°C		
Mechanical life	1,000,000 cycles		
Electrical life	50,000 cycles		
Panel Thickness	1 ~ 10mm		
Torque	5 ~ 14Nm		
Operation Pressure	About 4N		
Operation Distance	About 2.5mm		
IP Degree	IP65 (IP67 Made to order)		
Material	Contact	Silver Alloy	
	Button	Stainless Steel	
	Body	Stainless Steel	
	Base	PC	
	RoHS	Made to order	