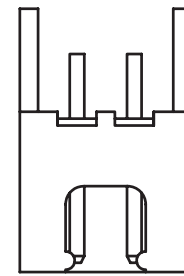
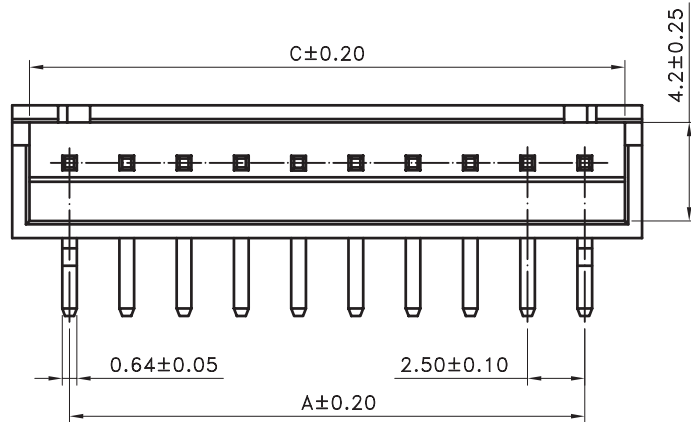
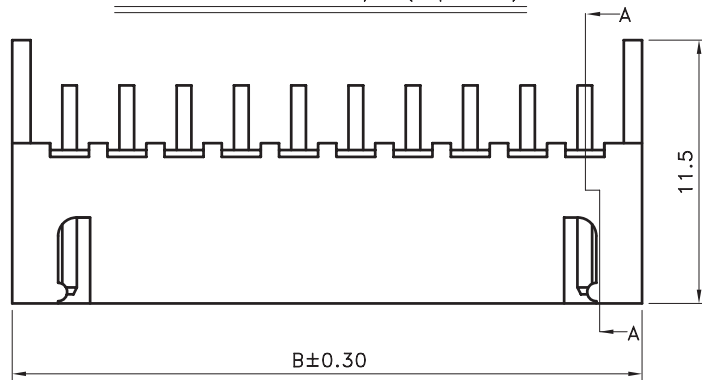
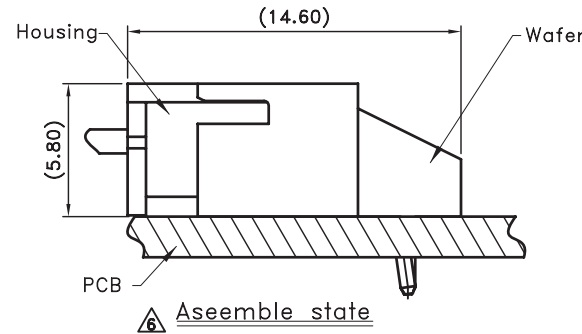


Recommended PCB Layout(Top View)



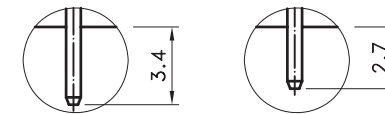
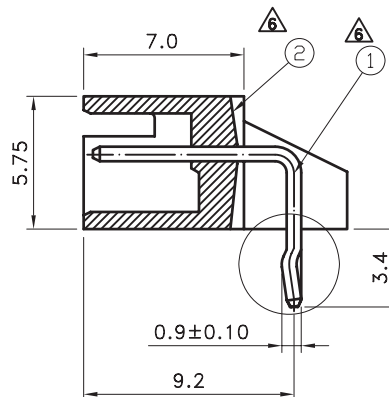
2 Circuit



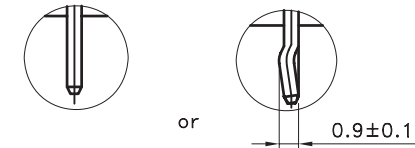
A-A Section

Blank : 3.4mm
(Standard)

D : 2.7mm



Without Kink With Kink



Structure Reference

- SPECIFICATIONS
- △ Rated Voltage : 250 V AC/DC
- Current Rating : 3A AC/DC.
- Withstanding Voltage : 1,000V AC/minute
- Insulation Resistance : 1,000M Ω min.
- Temperature Range : - 25℃ to + 85℃
- Contact resistance : 20m Ω max.

- △ ■ WAFER
- Part No. : JS-1001R-XX(XXX XX X X)X

- ① Poles No : 2~20 (Right Angle)
- ② Plated : Blank : Bright-Tin Plated
NMD : Matte-Tin Plated
G : Gold Over Plated
G1 : 30u" Gold Plated
- △ ③ Base Material : Nylon 66 UL94V-0
PA : PA46 UL94V-0
- ④ Kink Type Blank : Without Kink
K : With Kink
- ⑤ DIP Length Blank : 3.4mm
D : 2.7mm
- △ ⑥ Color : Blank : Nature
R : Red
R1 : Red(198C#)
- Material : 1. Contact : Brass
2. Base : Refer the above options
- Package : Bag

Poles	Dimension(mm)		
	A	B	C
2	2.50	7.50	6.00
3	5.00	10.00	8.50
4	7.50	12.50	11.00
5	10.00	15.00	13.50
6	12.50	17.50	16.00
7	15.00	20.00	18.50
8	17.50	22.50	21.00
9	20.00	25.00	23.50
10	22.50	27.50	26.00
11	25.00	30.00	28.50
12	27.50	32.50	31.00
13	30.00	35.00	33.50
14	32.50	37.50	36.00
15	35.00	40.00	38.50
16	37.50	42.50	41.00
17	40.00	45.00	43.50
18	42.50	47.50	46.00
19	45.00	50.00	48.50
20	47.50	52.50	51.00



喬訊電子工業股份有限公司
CHYAO SHIUNN
ELECTRONIC INDUSTRIAL LTD.

PART NO JS-1001R-XX(XXXXXXXX)X
2.50mm DIP series wire to board connector(Right Angle)

APPROVED BY	SCALE	UNIT	TOLERANCE	LTR	REVISION RECORD	NAME	DATE	LTR	REVISION RECORD	NAME	DATE
張育瑞		mm	.0 ±0.30	△				△	新增產品規格	周美麗	2012/12/26
CHECKED BY	PROJ	VER NO.	.00 ±0.20	△				△			
周家慶	⊕	a8	.000 ±0.10	△				△			
DRAWN BY	DATE	SIZE	ANGLE						CUSTOMER		
周美麗	2012/12/26	A4	0° ±1°	△							
			.0° ±	△	JS-1001R全系列合併圖面	劉怡萱	2011/02/14				
			SHEET 1/1	△	增加PA46選項,增加額定電壓	吳弘文	2011/11/05				Conforms to The RoHS Instruction