

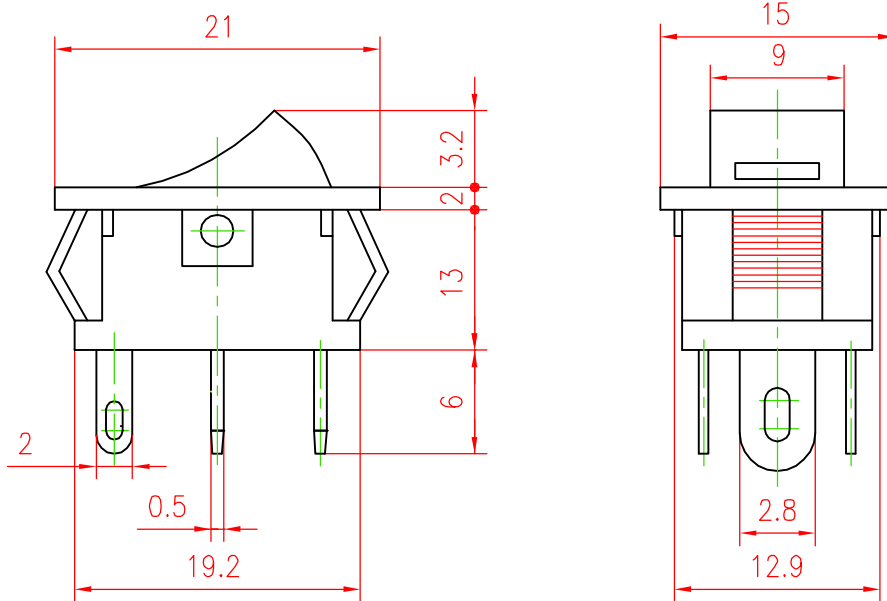
Miniature Rocker Switch

<TYPE>: MIRS-101-3D+LED

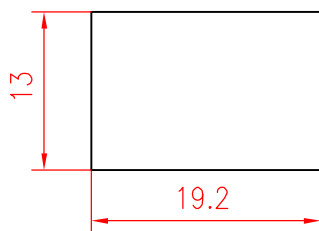
Specification

- 1.(Rating): 3A 250V AC; 6A 125V AC
- 2.(Contact R): 35 OHM \varnothing max
- 3.(Insulation R): 500V DC 100 OHM \varnothing min
- 4.(Dielectric Strength): 1 Minute 1000V AC
- 5.(Operating Temperature): $-30^{\circ}\text{C}+80^{\circ}\text{C}$
- 6.(Electrical Life): 10.000 Cycles

Outline Drawing



Mounting



Circuitry

