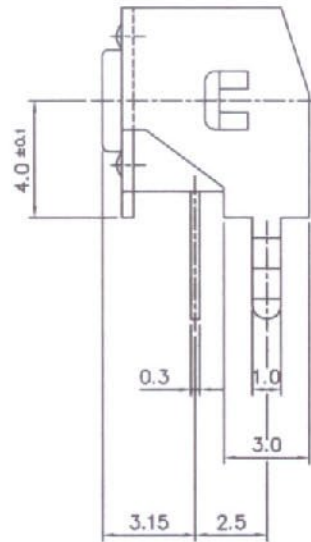
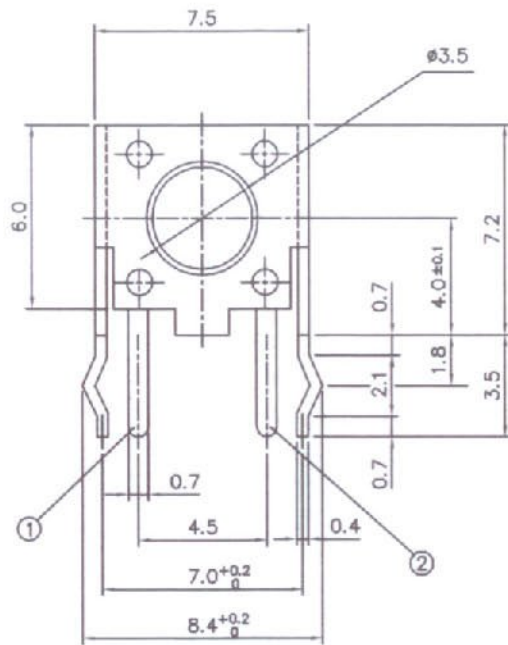
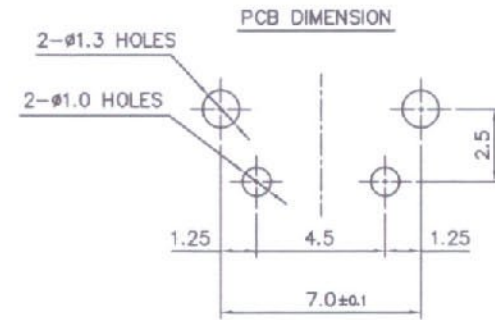


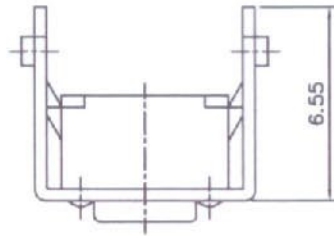
CIRCUIT DIAGRAM



NOTE

1. OPERATING FORCE : 160/250±50gf
2. RATING : DC 12V 0.5A
3. TRAVEL : $0.25^{+0.2}_{-0.1}$ m/m
4. CONTACT RESISTANCE : 100mΩ MAX
5. GENERAL TOLERANCE : ±0.3
6. MANUFACTURING SPECIFICATION WOULD BE ACCORDANCE WITH HT0104

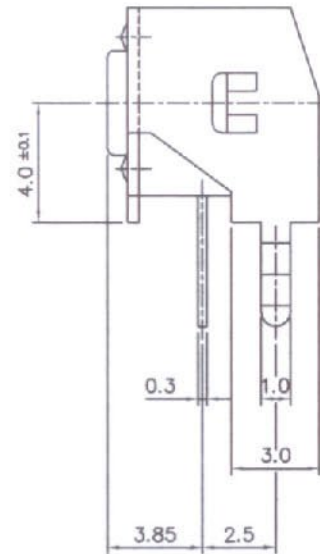
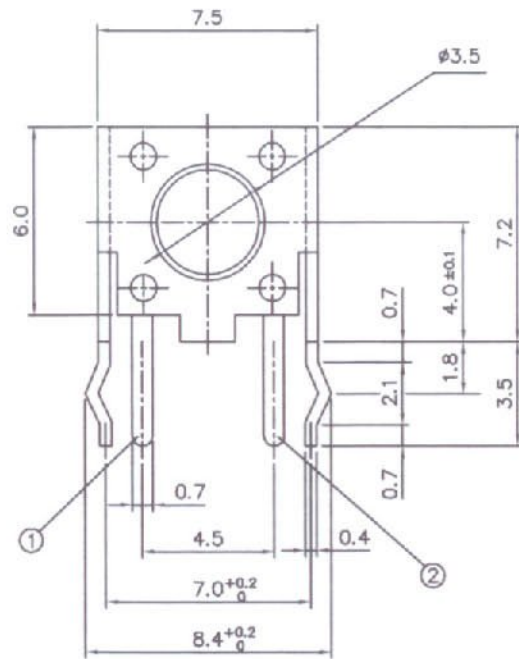
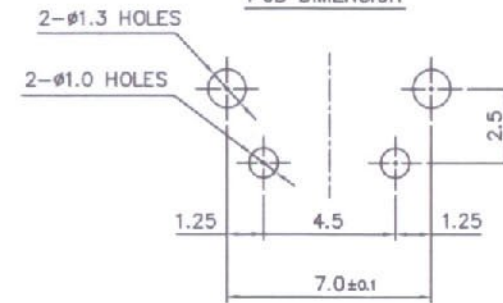
PART NO	PART NAME	Q'TY	MATERIAL	STANDARD	DISPOSITION	REMARKS
△			TRIGON-OMETRY	UNIT	SCALE	TACT SWITCHES
△			APPD.	CHKD	DSGD	
△						
△						
△						
NO	CORRECTION					MODEL



CIRCUIT DIAGRAM



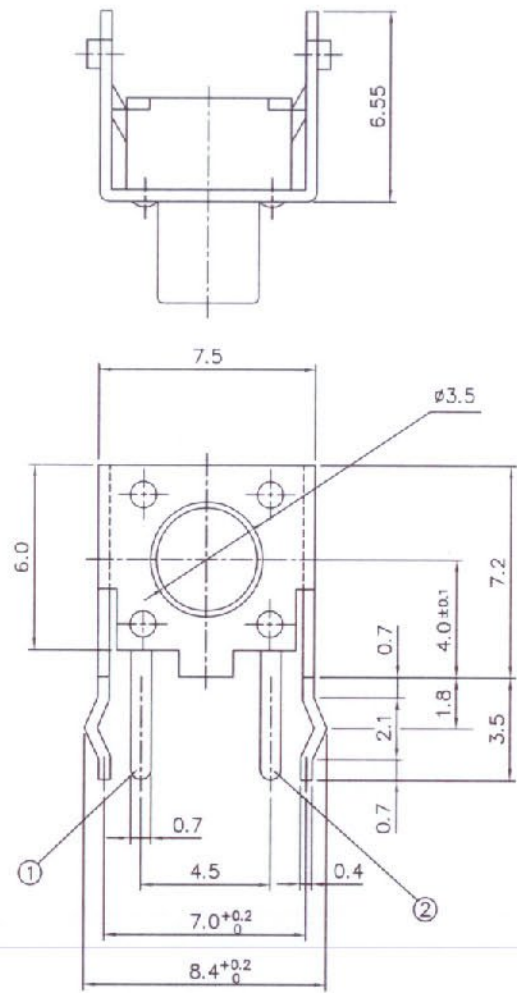
PCB DIMENSION



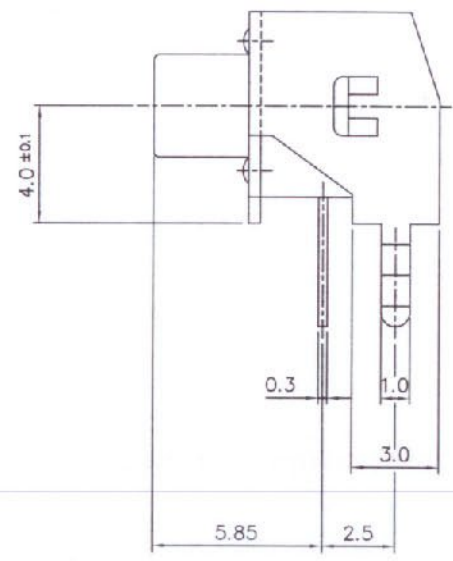
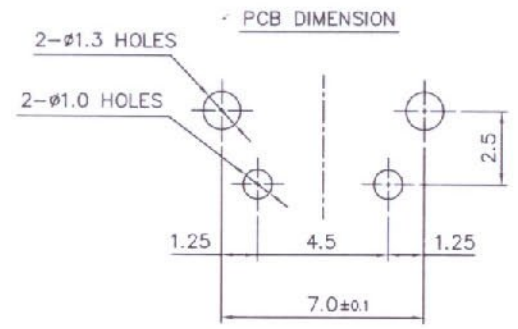
NOTE

1. OPERATING FORCE : 160/250±50gf
2. RATING : DC 12V 0.5A
3. TRAVEL : 0.25^{+0.2}/_{-0.1}m/m
4. CONTACT RESISTANCE : 100mΩ MAX
5. GENERAL TOLERANCE : ±0.3
6. MANUFACTURING SPECIFICATION WOULD BE ACCORDANCE WITH HT0104

PART NO	PART NAME	Q'TY	MATERIAL	STANDARD	DISPOSITION	REMARKS
▲			TRIGON-OMETRY	UNIT	SCALE	TACT SWITCHES
▲			APPD	CHKD	DSGD	
▲						
▲						
▲						
NO	CORRECTION					MODEL



CIRCUIT DIAGRAM



NOTE

1. OPERATING FORCE : 160, 250±50gf
2. RATING : DC 12V 0.5A
3. TRAVEL : 0.25^{+0.2}_{-0.1}mm/m
4. CONTACT RESISTANCE : 100mΩ MAX
5. GENERAL TOLERANCE : ±0.3
6. MANUFACTURING SPECIFICATION WOULD BE ACCORDANCE WITH HT0104

PART NO	PART NAME	Q'TY	MATERIAL	STANDARD	DISPOSITION	REMARKS
△			TRIGON-OMETRY	UNIT	SCALE	TACT SWITCH
△			APPD	CHKD	DSGD	
△			<i>[Signature]</i>			
△						
NO	CORRECTION				MODEL	

1. RATINGS

12V DC, 50mA

2. MECHANICAL SPECIFICATIONS

2.1 Actuating Force

As per individual specification

2.2 Return Force

Greater than 50gf

2.3 Stop Strength

Greater than 3kgf (for 3 seconds)

2.4 Travel

0.25 ^{+0.2}_{-0.1} mm

2.5 Arrangement of Action

Tactile feed - back

2.6 Operating Temperature Rang

-30°C ~ 80°C, 45 ~ 85%RH

2.7 Storage Temperature Range

-35°C ~ 85°C However, 96 hours maximum for continuous storage over a range -20°C ~ 30°C and range 70°C ~ 80°C

2.8 Stem withdrawal Force

Greater than 500gf (pull vertically to the opposite direction of stem operation)

3. ELECTRICAL SPECIFICATIONS

3.1 Contact Arrangement

single pole, single throw

3.2 Contact Resistance

Less than 100mΩ when tested by the voltameter method at 5V DC 10mA, or by an ohmmeter allowing a small current at 1000Hz (measurements to be made with a 100, 130, 160±30gf, 250±50gf load applied vertically at the center of switch)

3.3 Insulation Resistance

Greater than 100MΩ (100V DC insulation resistance meter)

3.4 Dielectric Strength

Capable of withstanding 250V AC, for 1 (one) min.

3.5 Bounce

Less than 10msec (the key shall be struck lightly vertically at its center at a uniform cycling rate of 3 operations per second)

4. ENDURANCE

4.1 Operating Life

Following 50,000cycles of operation cycling rate (2 operations per sec.) at a force of depression not exceeding 160gf with a resistive load supplying 12V DC, 50mA, the following requirements shall be satisfied :

4.1.1 Actuating Force

Plus or minus 50% of the initial force

4.1.2 Contact Resistance

Less than 100mΩ

4.1.3 Bounce

Less than 20mΩ

4.2 Moisture Resistance

Following exposure to a 60°C ±2°C, 90 ~ 95%RH, environment in a test chamber for 96 hours and then, out of the chamber, to room condition of normal temperature and humidity for 30 minutes, the requirements set forth below shall be met.

4.2.1 Insulation Resistance

Greater than 10MΩ

4.2.2 Dielectric Strength

Same as Item 3.4

4.2.3 Contact Resistance

Same as Item 3.2

4.3 Heat Resistance

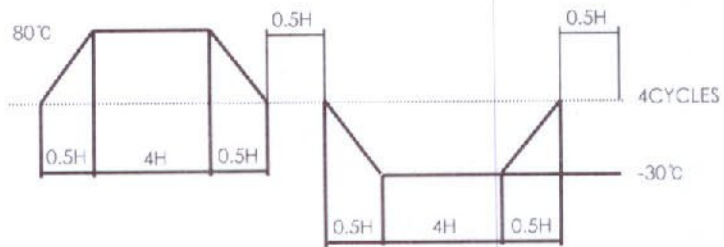
Following exposure to an 85°C environment in a test chamber for 96 hours and then, out of the chamber, to room condition of normal temperature and humidity for 30 minutes, the requirements in Items 2 and 3 shall be satisfied.

DATE	2003,	DESIGNED	CHECKED	APPROVED	PAGE
S/W TYPE	TACT S/W				1 / 2
MODEL NO.		1 /	1 /	1 /	
DOCUMENT NO.					

4.4 Resistance to Low Temperature

Following exposure to a -40°C environment in a test chamber, to room condition of normal temperature and humidity for 30 minutes, the requirements in Items 2 and 3 shall be met.

4.5 Thermal Cycling



Following 5 cycles of a thermal cycling test, on cycle of which is prescribed in the diagram above, the requirements in Items 2 and 3 shall be met.

4.6 Shock Resistance

Following application of an impact shock of 30G in accordance with the method 205, MIL - STD - 202, the requirements in Items 2 and 3 shall be met.

4.7 Vibration Resistance

Following the test conducted according to the method 201, MIL - STD -202, the switch under test shall conform to the requirements in Items 2 and 3 without any sign of defect both in appearance and actuation.

5. AUTOMATIC SOLDERING CONDITIONS (in case he automatic flow soldering is to be used)

- 5.1 Soldering Temperature 230°C max
- 5.2 Soldering Time Continuous dipping duration shall not exceed 5 second.
- 5.3 Permissible Soldering Times 2 time max
(twice soldering would be dipped after the temperature goes down to a normal temperature)
- 5.4 Preheat Temperature 100°C max
(circumferential temperature of the printed writing board)
- 5.5 Preheat Time 45 seconds max
- 5.6 Flux Streaming Flux streaming shall be controlled so that it shall not swell beyond the printed writing board where components are installed.
- 5.7 Other Precautions
 - (1) Flux shall not be applied to switch terminals and the part mounting surface of the P.W. board before soldering.
 - (2) Do not wash to switch after soldering.

DATE	2003,	DESIGNED	CHECKED	APPROVED	PAGE
S/W TYPE	TACT S/W	<i>[Signature]</i>	<i>[Signature]</i>	<i>[Signature]</i>	2 / 2
MODEL NO.		/ /	/ /	/ /	
DOCUMENT NO.					