

MARITEX SW-RLS103F1

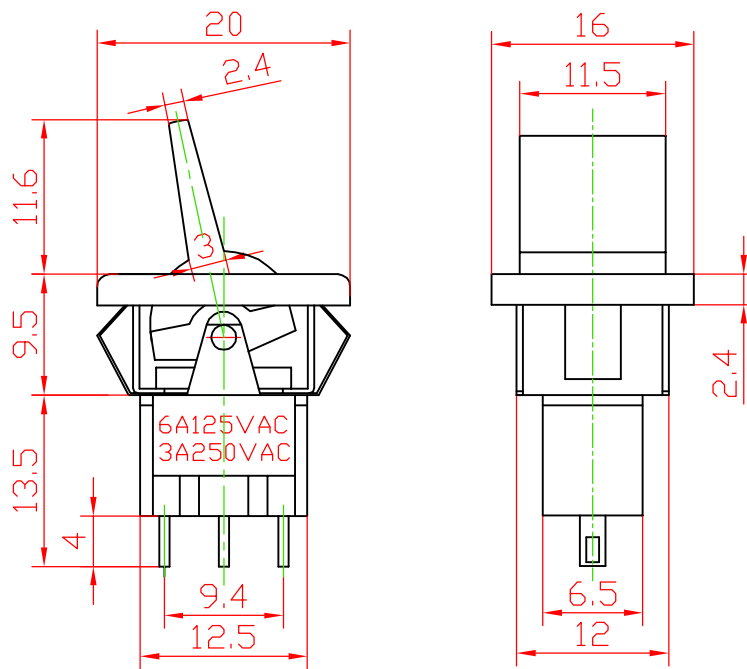
Miniature Rocker and Lever hander Switch

<TYPE>RLS-103-F1

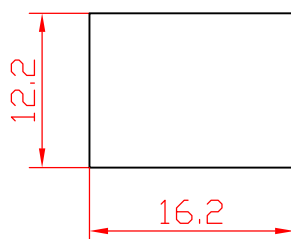
Specification

- 1.(Rating): 6A 125VAC; 3A 250VAC
- 2.(Contact R): 20 OHM max
- 3.(Insulation R): 500VDC 1000 OHM min
- 4.(Dielectric Strength): 1 Minute 1500V AC
- 5.(Operating Temperature): $-55^{\circ}\text{C}+85^{\circ}\text{C}$
- 6.(Electrical Life): 20.000 Cycles

Outline Drawing



Mounting



Circuitry

