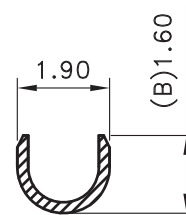


SECTION A-A



SECTION B-B

■ SPECIFICATIONS

- Current Rating : 3A AC/DC
- Withstanding Voltage : 1,000V AC/minute
- Insulation Resistance : 1,000MΩ min
- Temperature Range : - 25°C to + 85°C
- Contact Resistance : 20mΩ max

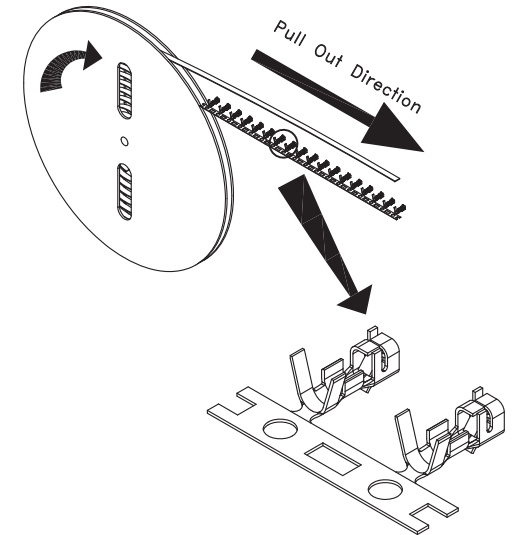
■ Feature:

• Part No. : JS-2001-TXX

Blank:Phos. Bronze
B:Brass

Blank:Standard Plated Process
P:Stamping Befor Plated

- Applicable Wires : AWG# 22 - 28
- Material : Refer the above narrative
- Finish : Tin Plated
- Thickness : 0.2mm
- Q' ty : 8,000 pcs./Reel



喬訊電子工業股份有限公司
CHYAO SHIUNN
ELECTRONIC INDUSTRIAL LTD.

APPROVED BY	SCALE	UNIT	TOLERANCE	LTR	REVISION RECORD	NAME	DATE	LTR	REVISION RECORD	NAME	DATE
張育瑞	N/A	mm	.0 ±0.3	△	尺寸修正	龔志紅	05/05/13	△			
CHECKED BY	PROJ	VER NO.	.00 ±0.2	△	結構修改	余秀麗	05/10/15	△			
周家庆	⊕	a5	.000 ±0.1	△	料號修改及加入3D圖檔	王誠賢	10/09/01	△			
DRAWN BY	DATE	SIZE	ANGLE		尺寸修正，增加加強筋和凸点	朱佑武	11/03/21	CUSTOMER			
朱佑武	2012/07/02	A4	0° ±1°	△	变更卡勾结构及尺寸	朱佑武	12/07/02	Conforms to The RoHS Instruction			
			.0° ±	△							
			SHEET	1/1	△						

PART NO JS-2001-TXX
2.50mm Wire to Board Connector, Terminal