

MARITEX SW-RMR101A2C3B

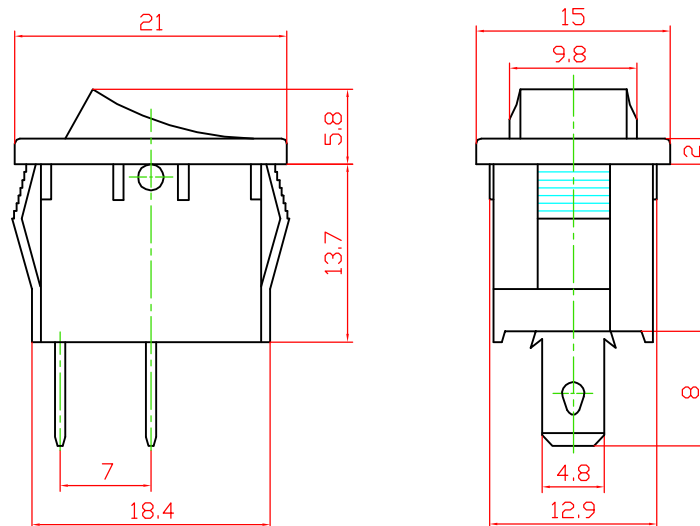
Miniature Rocker Switch

(TYPE): MRS-101A-2

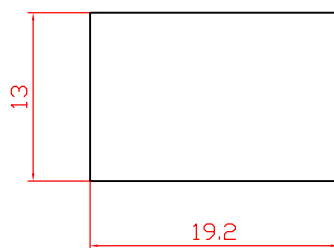
Specification

- 1.(Rating): 10A 125VAC; 6A 250VAC
- 2.(Contact R): 35 OHM max
- 3.(Insulation R): 500V DC 100 OHM min
- 4.(Dielectric Strength): 1 Minute 1500V AC
- 5.(Operating Temperature): $-30^{\circ}\text{C}+80^{\circ}\text{C}$
- 6.(Electrical Life): 10.000 Cycles

Outline Drawing



Mounting



Circuitry

