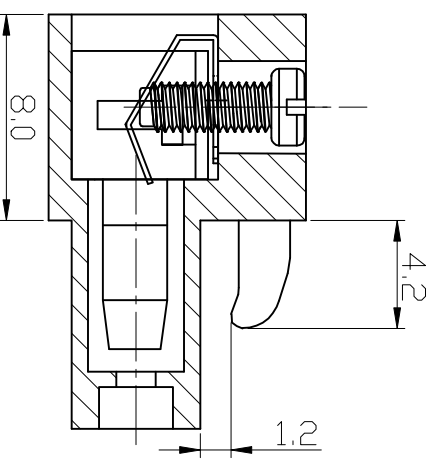
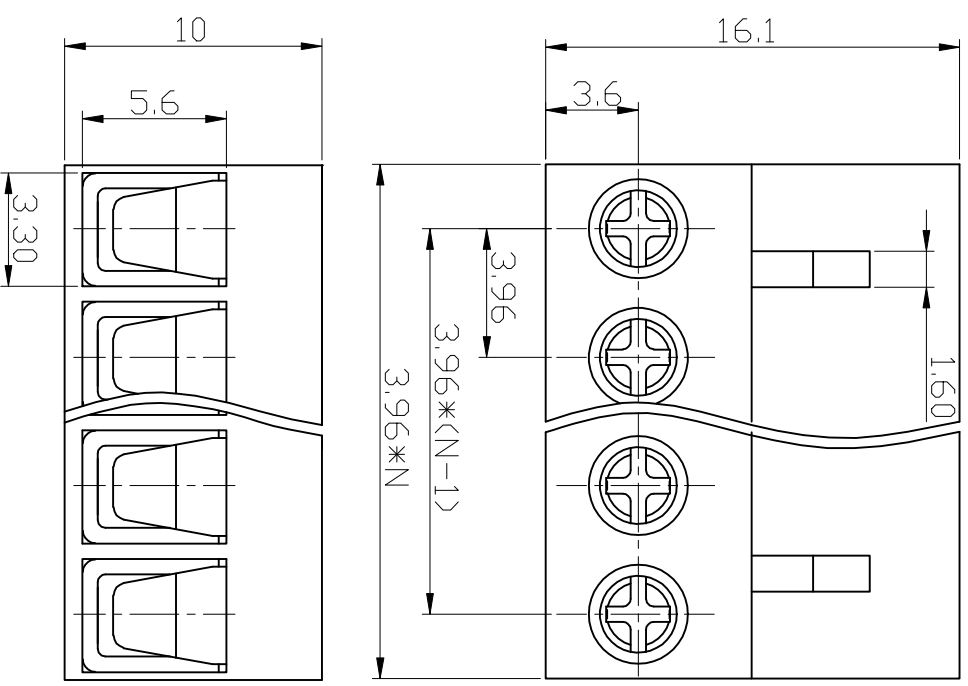


REV.	DESCRIPTION	DRAWN	CHECKED	APPROVED

Material
 Screw: M2 Steel Zinc Plated
 Contact: Phosphor Bronze, Tin Plated
 Housing: PA66, UL94V-0
 Electrical
 Rated Voltage: 150V
 Rated Current: 8A
 Contact Resistance: 20mOhm
 Insulation Resistance: 5000MOhm/1000V
 Withstanding Voltage: AC 1500V/1Min
 Wire Range: 28 - 14AWG



GENERAL TOLERANCE	ANGLE TOLERANCE	
X, ±0.20	X, ±2°	
.X, ±0.15	.X, ±1°	
.XX, ±0.10	.XX, ±0.5°	
DRAWING TYPE	SHEET	1 OF 1
SCALE	1:1	
DRAWING NO.		

PROJECTION	UNIT	TITLE
1st Angle	mm	PLUGGABLE TERMINAL BLOCKS
SHEET SIZE	A4	PITCH 3.96MM
SHEET SIZE	A4	SERIES HT396 SERIES

DF 慈溪市凯峰电子有限公司
 KAIFENG ELECTRONIC CO.,LTD