

**Product number CP10944\_RGBX-M**

Family	RGBX	FWHM	26 degrees
Type	Assembly	Efficiency	72 %
LED	MC-E RGB	cd/lm	-
Color	Black	Gerber File	Available
Diameter	30.4 mm		
Height	28.8 mm		
Style	Round		
Optic Material	PMMA,PC		
Holder Material	-		
Fastening	["glue"]		
Status	Production ready		

**Product number CP10945\_RGBX-O**

Family	RGBX	FWHM	48+32 degrees
Type	Assembly	Efficiency	70 %
LED	MC-E RGB	cd/lm	-
Color	Black	Gerber File	Available
Diameter	30.4 mm		
Height	28.8 mm		
Style	Round		
Optic Material	PC,PMMA		
Holder Material	-		
Fastening	["glue"]		
Status	Production ready		

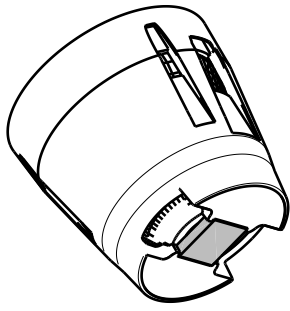
**NOTE: The typical divergence will be changed by different color, chip size and chip position tolerance. The typical total divergence is the full angle measured where the luminous intensity is half of the peak value.**

D

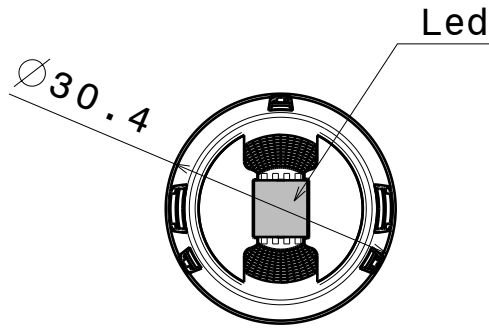
C

B

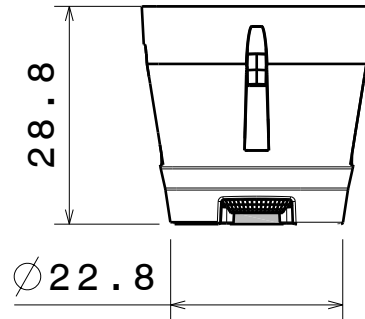
A



Isometric view

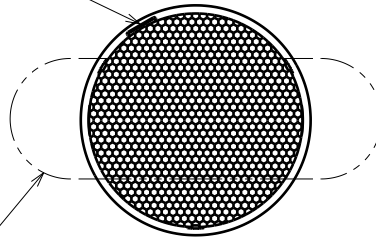


Bottom view



Front view

Note:  
Sublens position guide



Top view

Materials:  
Lens PMMA  
Holder PC Black  
Sublens PC

Beam direction in  
Oval-version

This drawing is our property.  
It can't be reproduced  
or communicated without  
our written agreement.



L  
T  
F  
F  
e  
e  
i  
i  
N  
n

DRAWING TITLE

Datasheet RGBX-MC Assy

DRAWN BY

DATE

15.11.2010

CHECKED BY

DATE

02.04.2009

DESIGNED BY

DATE

02.04.2009

SIZE

A4

DRAWING NUMBER

REV

0.1

SCALE

1:1

WEIGHT (g)

SHEET

1/1

D

A

4

4

3

3

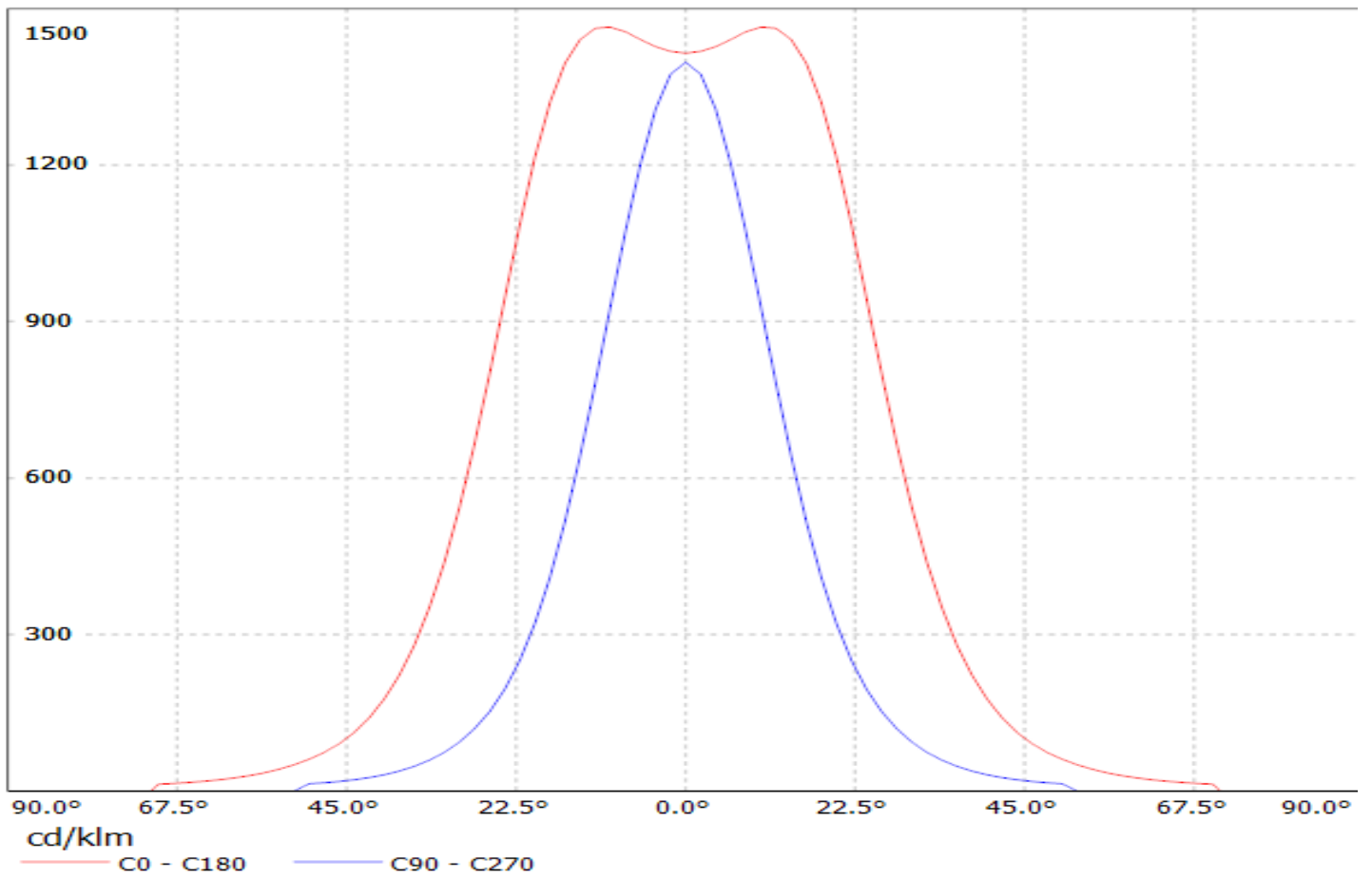
2

2

1

1

Luminaire: Ledil Oy CA10945\_RGBX-MC-O CA10945\_RGBX-MC-O  
Lamps: 1 x Cree MC-E (RGB color)



Luminaire: Ledil Oy CA10945\_RGBX-MC-O CA10945\_RGBX-MC-O  
Lamps: 1 x Cree MC-E (RGB color)

