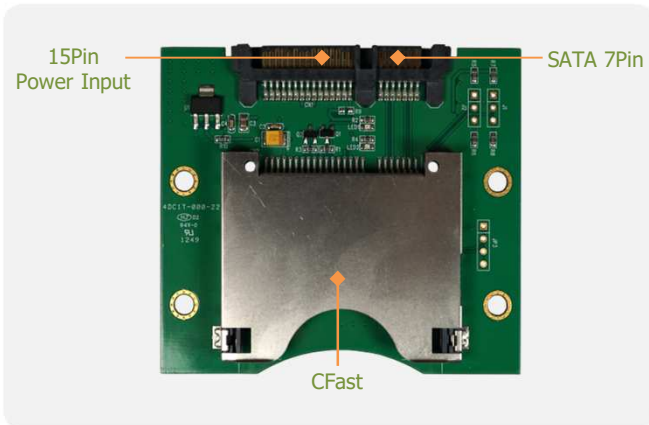


EZSS-0101

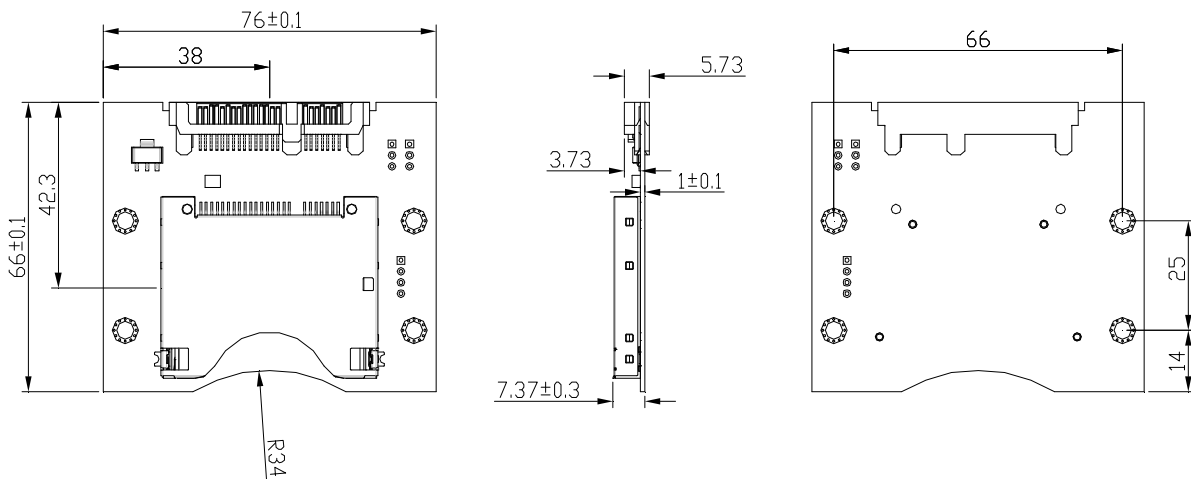
CFast to SATA Module



Features

- SATA III compliant
- SATA to CFast pass-through design
- Industrial temperature -40 °C to 85 °C
- 3-year warranty
- Industrial design, manufactured in innodisk Taiwan

Mechanical Drawing



TOLERANCE:±0.20mm

Specifications

Headquarters (Taiwan)

5F., No. 237, Sec. 1, Datong Rd.,
Xizhi Dist., New Taipei City 221,
Taiwan
Tel: +886-2-77033000
Email: sales@innodisk.com

Branch Offices:

USA
usasales@innodisk.com
+1-510-770-9421

Europe
eusales@innodisk.com
+31-40-3045-400

Japan
jpsales@innodisk.com
+81-3-6667-0161

China
sales_cn@innodisk.com
+86-755-2167-3689

Form-Factor	Other
Input I/F	SATA III
Output I/F	SATA III
Output Connector	CFast x 1
Dimension (WxLxH)	76 x 66 x 7.37 mm
Temperature	Operation: WT: -40°C ~ +85°C Storage: -55°C ~ +95°C
Environment	Vibration: 5G @7~2000Hz, Shock: 50G @ 0.5ms
Notes	

www.innodisk.com

© 2021 Innodisk Corporation.
All right reserved. Specifications
are subject to change without
prior notice.

April 27, 2021

Order information
EZSS-0101-C1
CFast to SATA III Module