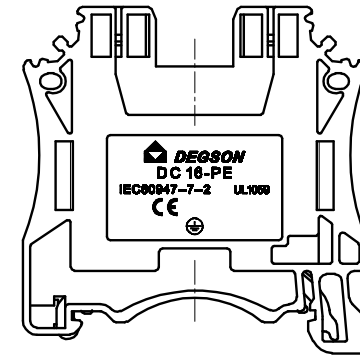
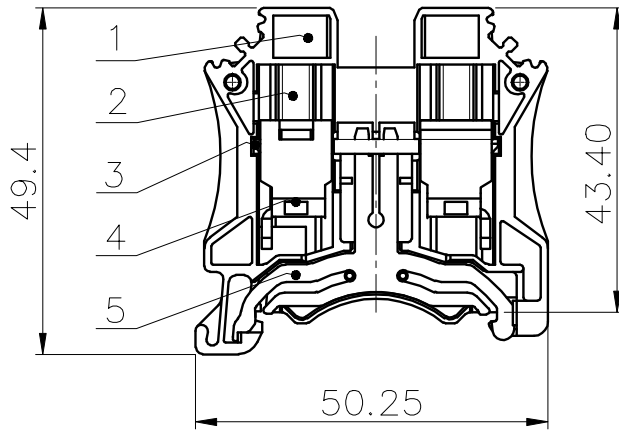
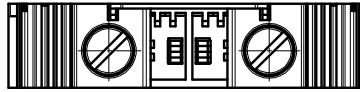


未注公差/General tolerances(mm)											0.1/10 √Z		
0	>3	>6	>10	>18	>30	>50	>80	>120	>180	>250		>315	>400
±0.12	±0.18	±0.22	±0.26	±0.31	±0.37	±0.57	±0.80	±0.93	±1.05	±1.15	±1.60	±2.20	±2.50



UL 标准/UL Standard:	B	C	D
额定电压/电流/Rated Voltage(V)/Current(A)	/	/	/
IEC 标准/IEC Standard:			
过压类别/Overvoltage Category/污染等级/Pollution Degree	III/3	/	/
额定电压/电流/Rated Voltage(V)/Current(A)	/	/	/
额定脉冲电压(KV)/Rate Impulse Voltage(KV)	8.0	/	/
螺栓扭矩/Torque Tightening(N·m/Lb.in)	M5, 2.5/27		
线径范围(硬线和软线)/Wire Range(rigid and flexible)(mm ² /AWG)	1.5~25/14~3		
间距/Pitch(mm)	12.0		
剥线长度/Stripping length(mm)	12-13		
使用温度范围/Operating temperature(°C)	-40~+105		
符合RoHS环保要求/Conform to RoHS	Yes		
标准颜色编号/Standard color number: PANTONE / RAL	/		

5	Grounding body	Copper alloy	Sn Plated
4	Cage	Steel	Zn Plated
3	Current carrier	Copper	Sn Plated
2	Screw	Steel	M5/Zn Plated
1	Housing	PA66	UL94V-0
ITEM	NAME OF PART	MATERIAL	NOTES

REV	ECN	DESCRIPTION	DRFT	DATE

MATERIAL: /	SURFACE: /		
MAT NO.: /	宁波高松电子有限公司 NINGBO DEGSON ELECTRICAL CO., LTD		
STATUS: /			
APPD: Li GL 2020.05.25			
CHKD: Mao J 2020.05.25			
DRFT:Wang LX 2020.05.25	NAME: DC16-PE-01P-1C-00A(H)	DRAWING NO.: DC16-PE-C01	REV T0-2
④	SIZE: A4	TYPE: CUSTOMER DRAWING	SCALE: 1:1 SHEET 1/1