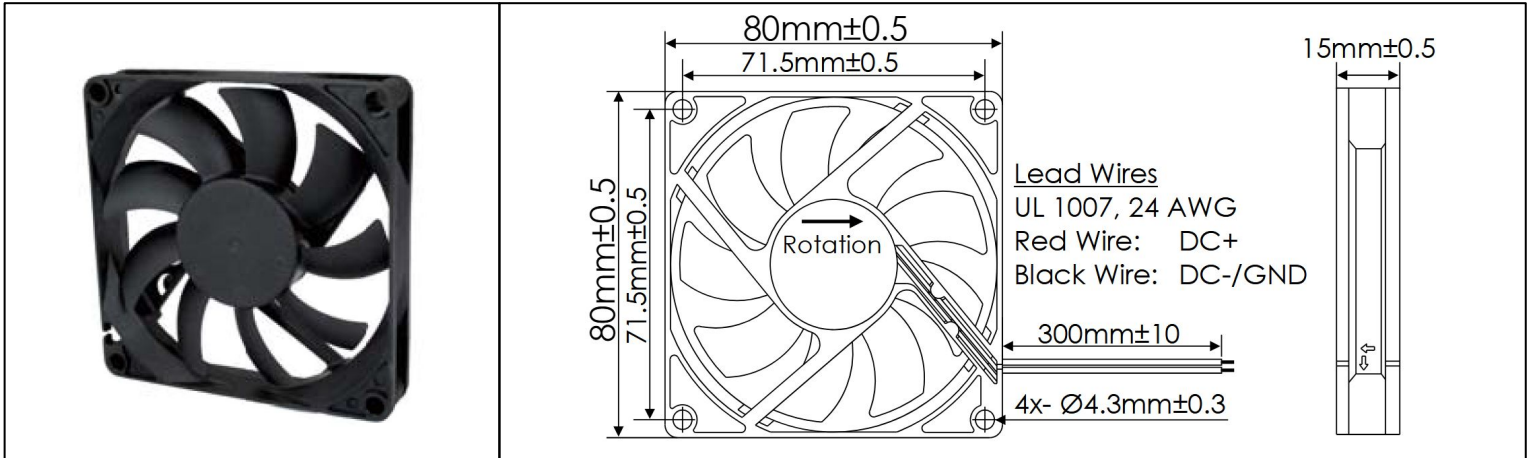


OD8015 Series



DC Fans - 5, 12, 24V
80mm x 15mm (3.15" x 0.6")



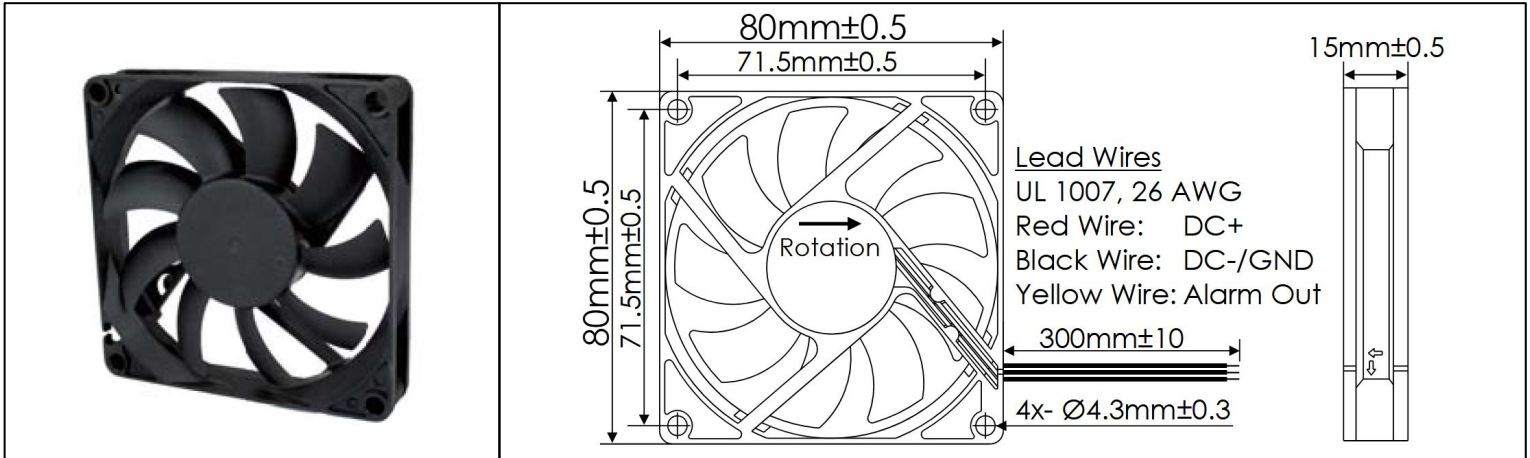
Frame	PBT, UL94 V-0 Plastic	Operating Temperature -20°C ~ +65°C Storage Temperature -20°C ~ +75°C Life Expectancy 50,000 Hours (L10 at 45°C) Available Options Tachometer Output Alarm Output PWM Speed Control Input IP Ratings Sealed Sleeve Bearings Weight: 0.17 lbs	
Impeller	PBT, UL94 V-0 Plastic		
Connection	2x Lead Wires, 24 AWG		
Motor	Brushless DC, Auto Cutoff, Auto Restart, Polarity Protected, Electronically Protected		
Bearing System	Ball Bearings		
Dielectric Strength	500VDC/min, <5mA		
Insulation Resistance	≥10MΩ @ 500V DC		

Part Number	Rated Voltage (Volts DC)	Voltage Range (Volts DC)	Input Power (Watts)	Rated Current (Amps)	Rated Speed (RPM)	Max Airflow (CFM)	Noise Level (dBA)	Max Static Pressure (\"H ₂ O)
OD8015-05HHB	5	4.5 ~ 5.5	1.4	0.28	3550	38	38.1	0.15
OD8015-05HB	5	4.5 ~ 5.5	1.0	0.20	3050	31	34.2	0.11
OD8015-05MB	5	4.5 ~ 5.5	0.8	0.15	2725	23	31.1	0.07
OD8015-12HHB	12	9 ~ 13.8	2.2	0.18	3550	38	38.1	0.15
OD8015-12HB	12	9 ~ 13.8	1.8	0.15	3050	31	34.2	0.11
OD8015-12MB	12	9 ~ 13.8	1.5	0.12	2725	23	31.1	0.07
OD8015-24HHB	24	15 ~ 26	2.9	0.12	3550	38	38.1	0.15
OD8015-24HB	24	15 ~ 26	2.4	0.10	3050	31	34.2	0.11
OD8015-24MB	24	15 ~ 26	1.9	0.08	2725	23	31.1	0.07

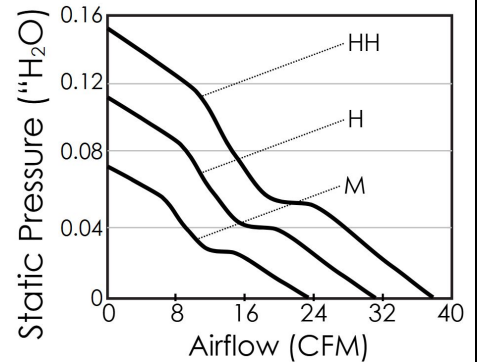
OD8015 Series with Alarm



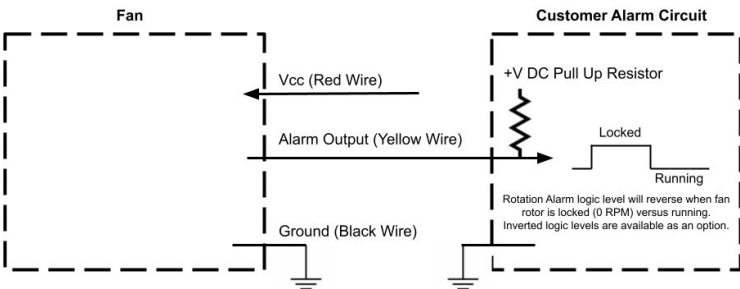
DC Fans - 5, 12, 24V
80mm x 15mm (3.15" x 0.6")



Frame	PBT, UL94 V-0 Plastic	Operating Temperature -20°C ~ +65°C Storage Temperature -20°C ~ +75°C Life Expectancy 50,000 Hours (L10 at 45°C) Installed Options Open Collector Alarm Output Available Options 5V TTL Alarm Output Inverted Alarm Logic States Weight: 0.17 lbs
Impeller	PBT, UL94 V-0 Plastic	
Connection	3x Lead Wires, 26 AWG	
Motor	Brushless DC, Auto Cutoff, Auto Restart, Polarity Protected, Electronically Protected	
Bearing System	Ball Bearings	
Dielectric Strength	500VDC/min, <5mA	
Insulation Resistance	≥10MΩ @ 500V DC	



Part Number	Rated Voltage (Volts DC)	Voltage Range (Volts DC)	Input Power (Watts)	Rated Current (Amps)	Rated Speed (RPM)	Max Airflow (CFM)	Noise Level (dBA)	Max Static Pressure ("H ₂ O)
OD8015-05HHB02A	5	4.5 ~ 5.5	1.4	0.28	3550	38	38.1	0.15
OD8015-05HB02A	5	4.5 ~ 5.5	1.0	0.20	3050	31	34.2	0.11
OD8015-05MB02A	5	4.5 ~ 5.5	0.8	0.15	2725	23	31.1	0.07
OD8015-12HHB02A	12	9 ~ 13.8	2.2	0.18	3550	38	38.1	0.15
OD8015-12HB02A	12	9 ~ 13.8	1.8	0.15	3050	31	34.2	0.11
OD8015-12MB02A	12	9 ~ 13.8	1.5	0.12	2725	23	31.1	0.07
OD8015-24HHB02A	24	15 ~ 26	2.9	0.12	3550	38	38.1	0.15
OD8015-24HB02A	24	15 ~ 26	2.4	0.10	3050	31	34.2	0.11
OD8015-24MB02A	24	15 ~ 26	1.9	0.08	2725	23	31.1	0.07

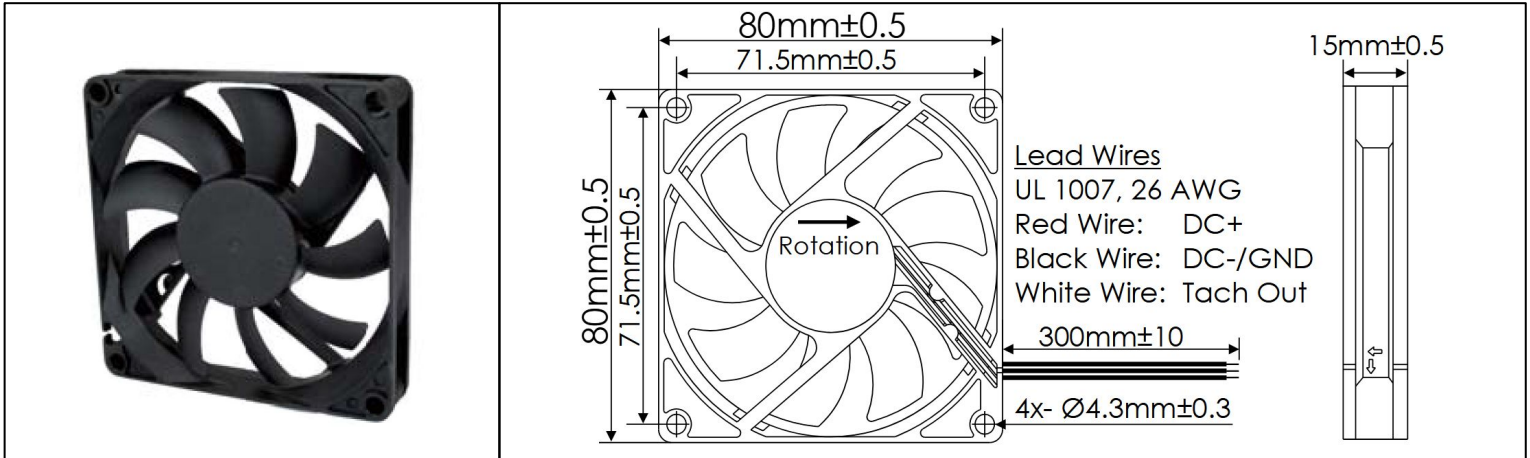


Alarm Max Pullup Voltage: Fan Vcc
 Alarm Max Sink Current: 8mA
 Alarm Active Logic State: HIGH

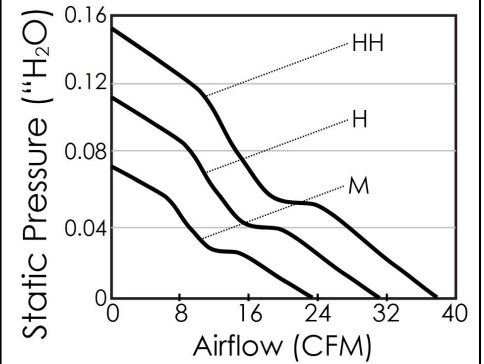
OD8015 Series with Tach



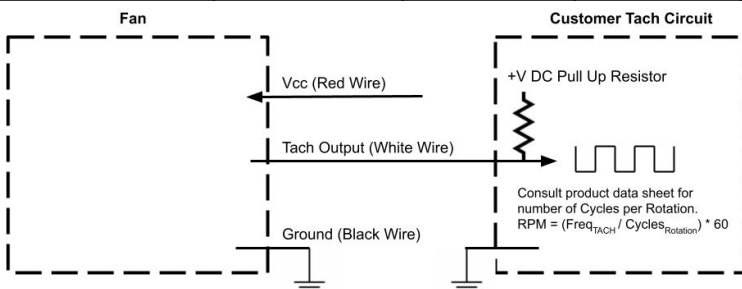
DC Fans - 5, 12, 24V
80mm x 15mm (3.15" x 0.6")



Frame	PBT, UL94 V-0 Plastic	Operating Temperature -20°C ~ +65°C Storage Temperature -20°C ~ +75°C Life Expectancy 50,000 Hours (L10 at 45°C) Installed Options Open Collector Tach Output Available Options 5V TTL Tach Output Weight: 0.17 lbs
Impeller	PBT, UL94 V-0 Plastic	
Connection	3x Lead Wires, 26 AWG	
Motor	Brushless DC, Auto Cutoff, Auto Restart, Polarity Protected, Electronically Protected	
Bearing System	Ball Bearings	
Dielectric Strength	500VDC/min, <5mA	
Insulation Resistance	≥10MΩ @ 500V DC	



Part Number	Rated Voltage (Volts DC)	Voltage Range (Volts DC)	Input Power (Watts)	Rated Current (Amps)	Rated Speed (RPM)	Max Airflow (CFM)	Noise Level (dBA)	Max Static Pressure ("H ₂ O)
OD8015-05HHB01A	5	4.5 ~ 5.5	1.4	0.28	3550	38	38.1	0.15
OD8015-05HB01A	5	4.5 ~ 5.5	1.0	0.20	3050	31	34.2	0.11
OD8015-05MB01A	5	4.5 ~ 5.5	0.8	0.15	2725	23	31.1	0.07
OD8015-12HHB01A	12	9 ~ 13.8	2.2	0.18	3550	38	38.1	0.15
OD8015-12HB01A	12	9 ~ 13.8	1.8	0.15	3050	31	34.2	0.11
OD8015-12MB01A	12	9 ~ 13.8	1.5	0.12	2725	23	31.1	0.07
OD8015-24HHB01A	24	15 ~ 26	2.9	0.12	3550	38	38.1	0.15
OD8015-24HB01A	24	15 ~ 26	2.4	0.10	3050	31	34.2	0.11
OD8015-24MB01A	24	15 ~ 26	1.9	0.08	2725	23	31.1	0.07



Tach Max Pullup Voltage: Fan Vcc
 Tach Max Sink Current: 8mA
 Tach Cycles per Revolution: 2