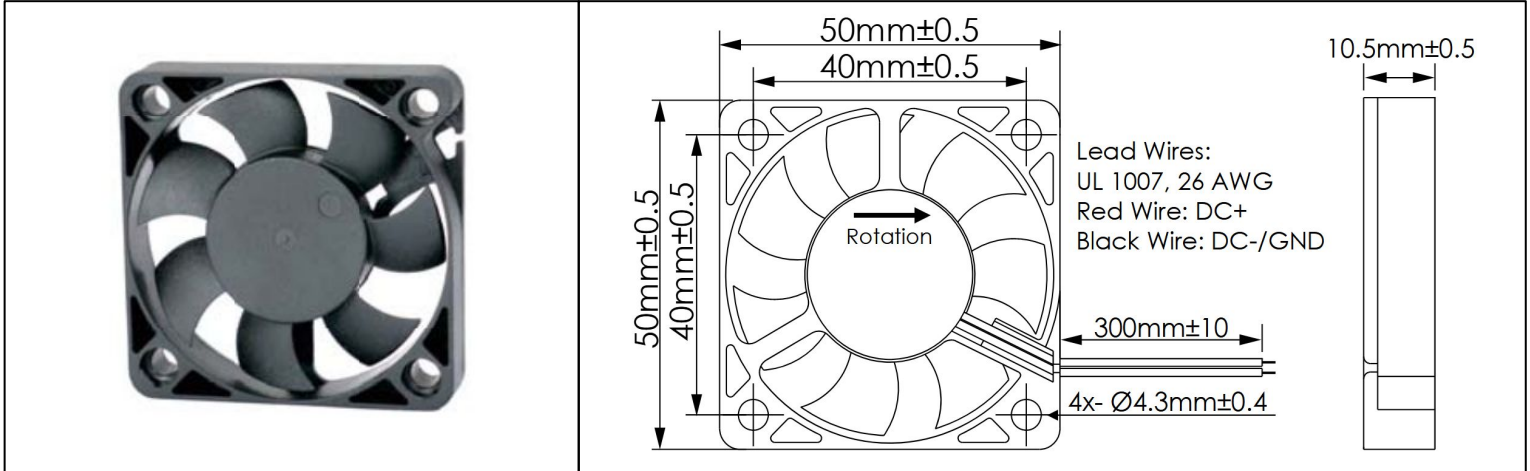


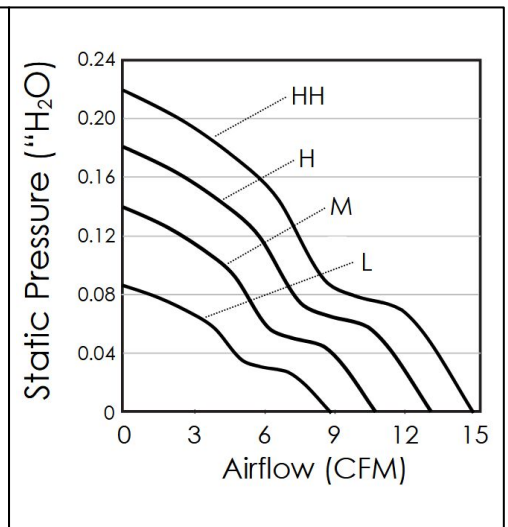
# OD5010 Series



DC Fans - 5, 12, 24V  
50mm x 10.5mm (2.0" x 0.4")



Frame	PBT, UL94 V-0 Plastic	<b>Operating Temperature</b> -20°C ~ +65°C  <b>Storage Temperature</b> -20°C ~ +75°C  <b>Life Expectancy</b> 70,000 Hours (L10 at 40°C)  <b>Available Options:</b> Tachometer Output PWM Speed Control Input Alarm Output Sealed Sleeve Bearings IP Ratings  Weight: 0.07 lbs.
Impeller	PBT, UL94 V-0 Plastic	
Connection	2x Lead Wires, 26 AWG	
Motor	Brushless DC, Auto Cutoff, Auto Restart, Electronically Protected, Polarity Protected	
Bearing System	Ball Bearings	
Dielectric Strength	500VDC/min, <1mA	
Insulation Resistance	≥10M Ohm @ 500 VDC	

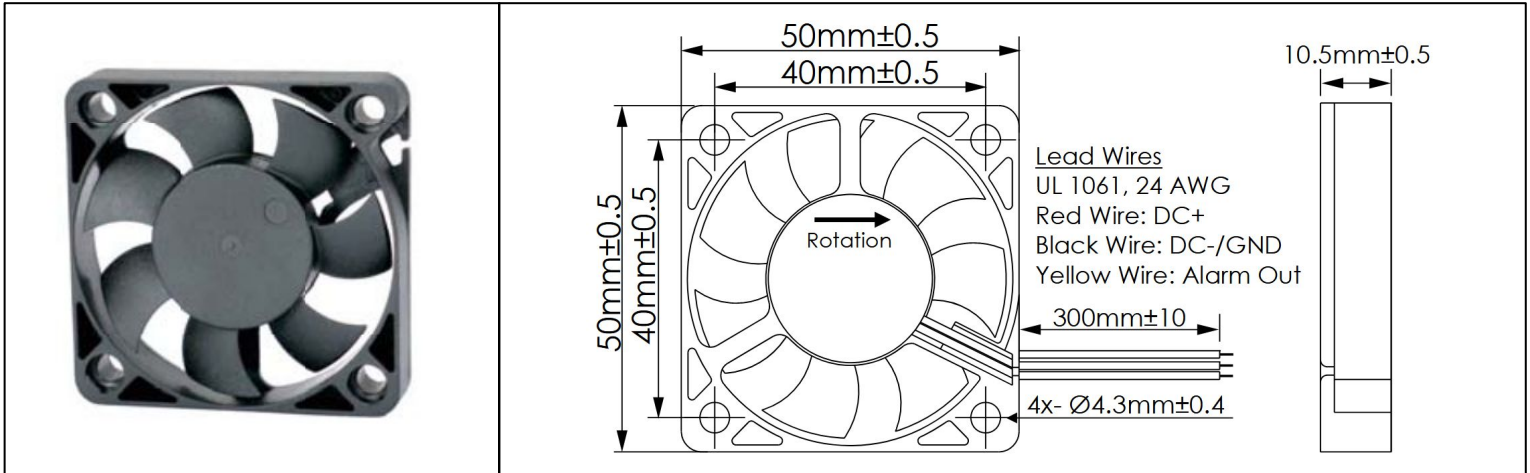


Part Number	Rated Voltage (Volts DC)	Voltage Range (Volts DC)	Input Power (Watts)	Rated Current (Amps)	Rated Speed (RPM)	Max Airflow (CFM)	Noise Level (dBA)	Max Static Pressure (\"H <sub>2</sub> O)
OD5010-05HB	5	4.5 ~ 5.5	1.05	0.21	6490	12.7	35.1	0.18
OD5010-05MB	5	4.5 ~ 5.5	1.05	0.21	5475	10.8	33.2	0.14
OD5010-05LB	5	4.5 ~ 5.5	0.95	0.19	4425	8.6	25.4	0.09
OD5010-12HB	12	8 ~ 13.8	1.20	0.10	6490	12.7	35.1	0.18
OD5010-12MB	12	8 ~ 13.8	1.08	0.09	5475	10.8	33.2	0.14
OD5010-12LB	12	8 ~ 13.8	0.84	0.07	4425	8.6	25.4	0.09
OD5010-24HHB	24	20 ~ 26.4	2.40	0.10	7150	14.9	37.4	0.22
OD5010-24HB	24	20 ~ 26.4	1.92	0.08	6490	12.7	35.1	0.18
OD5010-24MB	24	20 ~ 26.4	1.68	0.07	5475	10.8	33.2	0.14
OD5010-24LB	24	20 ~ 26.4	1.44	0.06	4425	8.6	25.4	0.09

# OD5010 Series with Alarm



DC Fans with Alarm - 12, 24V  
50mm x 10.5mm (2.0" x 0.4")



Frame	PBT, UL94 V-0 Plastic
Impeller	PBT, UL94 V-0 Plastic
Connection	3x Lead Wires, 24 AWG
Motor	Brushless DC, Auto Cutoff, Auto Restart, Electronically Protected, Polarity Protected
Bearing System	Ball Bearings
Dielectric Strength	500VDC/min, <1mA
Insulation Resistance	≥10M Ohm @ 500 VDC

**Operating Temperature**  
-20°C ~ +65°C

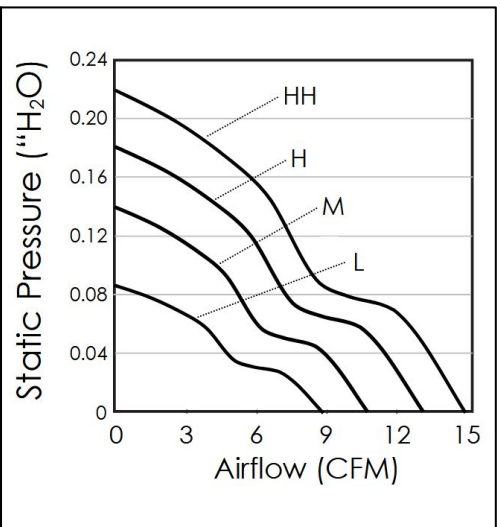
**Storage Temperature**  
-20°C ~ +75°C

**Life Expectancy**  
70,000 Hours (L10 at 40°C)

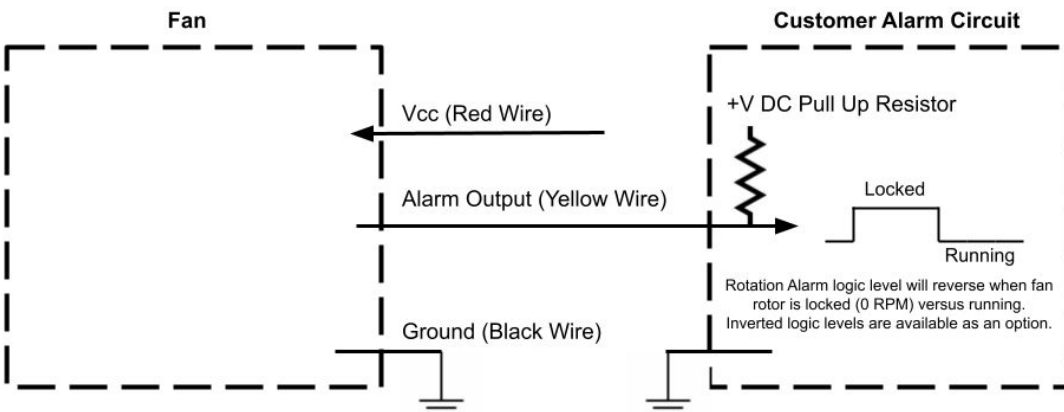
**Installed Options:**  
Open Collector Alarm Output

**Available Options:**  
Inverted Alarm State  
5V TTL Type Alarm Output

Weight: 0.07 lbs.



Part Number	Rated Voltage (Volts DC)	Voltage Range (Volts DC)	Input Power (Watts)	Rated Current (Amps)	Rated Speed (RPM)	Max Airflow (CFM)	Noise Level (dBA)	Max Static Pressure (inches H <sub>2</sub> O)
OD5010-12HB02A	12	8 ~ 13.8	1.20	0.10	6490	12.7	35.1	0.18
OD5010-12MB02A	12	8 ~ 13.8	1.08	0.09	5475	10.8	33.2	0.14
OD5010-24HB02A	24	20 ~ 26.4	1.92	0.08	6490	12.7	35.1	0.18
OD5010-24MB02A	24	20 ~ 26.4	1.68	0.07	5475	10.8	33.2	0.14



Alarm Max Pullup Voltage: Fan Vcc  
Alarm Max Sink Current: 5mA