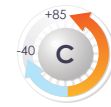
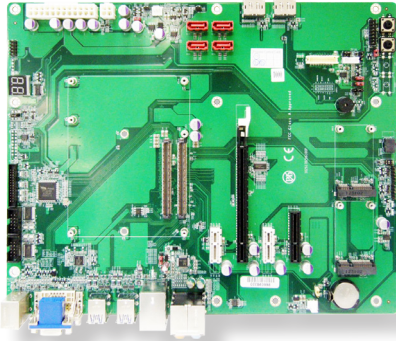


PBE-1702



COM Express

COM Express® Type 6 evaluation carrier board in ATX form factor



Features

- COM Express® Type 6 Evaluation Board
- Dual Gigabit Ethernet Ports
- Dual Channels 24-bit LVDS, DVI, DisplayPort and Analog RGB
- **Wide Range Operating Temp.: -40 ~ 85°C**

I/O

Super IO Chipset	Fintek F71869ED
Serial Port	2 x RS-232
Keyboard & Mouse	Standard PS/2 keyboard/ mouse connectors
USB 2.0	2 x USB 2.0 ports
Expansion	2 x PCIe x1 slots, 1 x PCIe x 4 slot, 1 x PClex16 slot 2 x Mini-Card sockets
Storage	4 x SATA connector
Ethernet Chipset	1 x by CPU module 1 x Intel 82583V PCIe GbE controller
Digital I/O	8-bit Programmable
Audio	Realtek ALC888 7.1 Channel HD Audio CODEC, Mic-in/ Line-in/ Line-out
Display	Analog RGB/ DVI: 1 x VGA connector, 1 x DVI connector
Graphic Interface	LCD: 1 x LVDS connector DDI port: 2 x DisplayPort connector

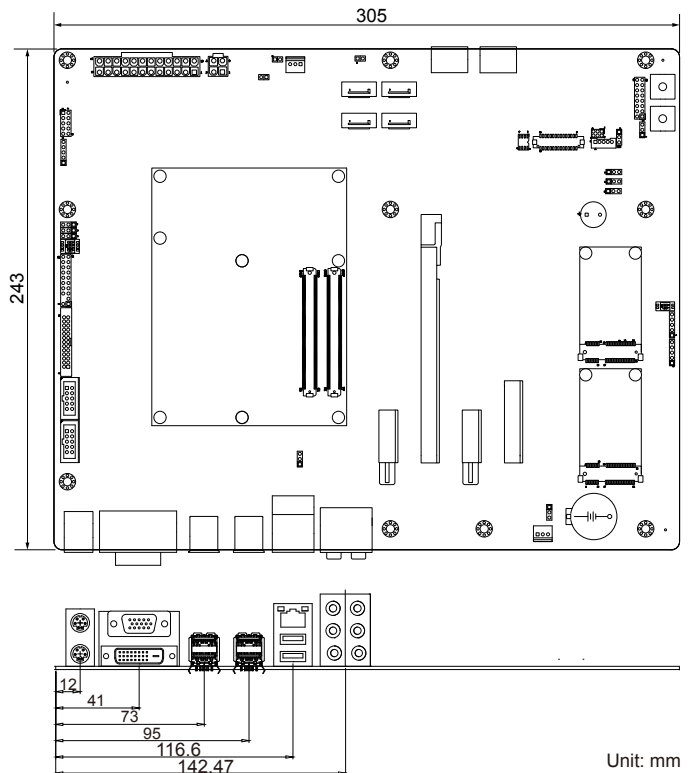
OS Support

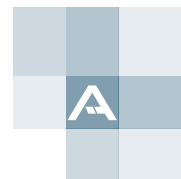
Depends on CPU Module

Mechanical & Environmental

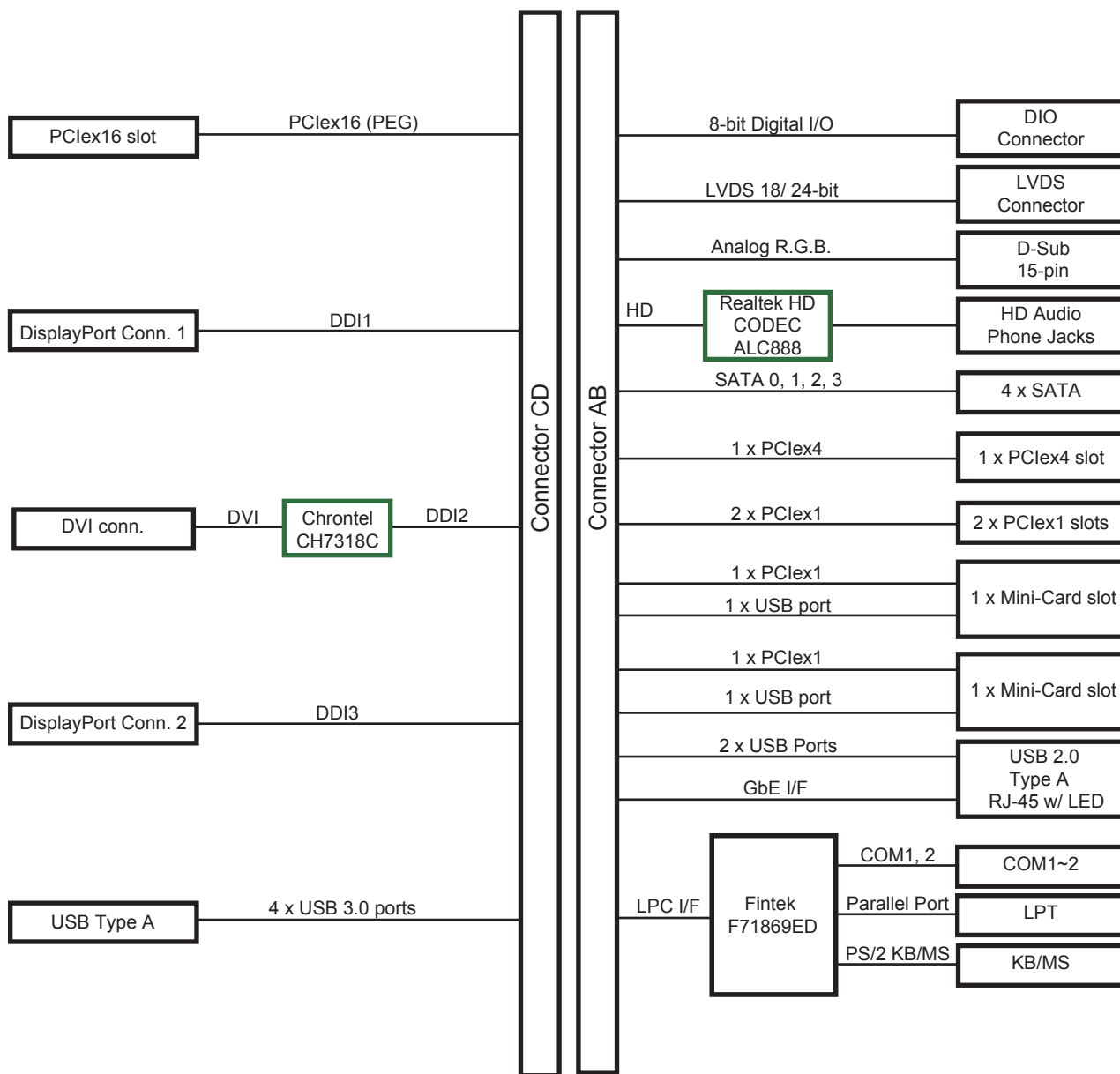
Power Requirement	ATX
Power Consumption	3.00A@12V with EmETXe-i87M0 (Typical)
Operating Temp.	-40 ~ 85°C (-40 ~ 185°F)
Operating Humidity	10 ~ 95% @ 85°C (non-condensing)
Dimensions (L x W)	305 x 243 mm (12" x 9.6")

Dimensions





Block Diagram



Ordering Information

PBE-1702 COM Express® Type 6 evaluation carrier board with Super IO F71869ED in ATX form factor

Optional Accessories

CBK-04-1702-00 Cable kit
 1 x USB cable
 2 x Serial port cables
 1 x SATA cable