

Specification for approval

| | |
|---------------------------|--------------------------|
| Description(产品类型): | Encapsulated transformer |
| Customer p/n(客户): | |
| ZETTLER p/n(赛特勒): | BV302S15015-006 |
| Revision(版本号): | PD1.1 |
| Page(页数): | 4 |

Drafted(制作): Li xiaoxu

Checked(审核): Chen chaolu

Approved(确认): He zongnian



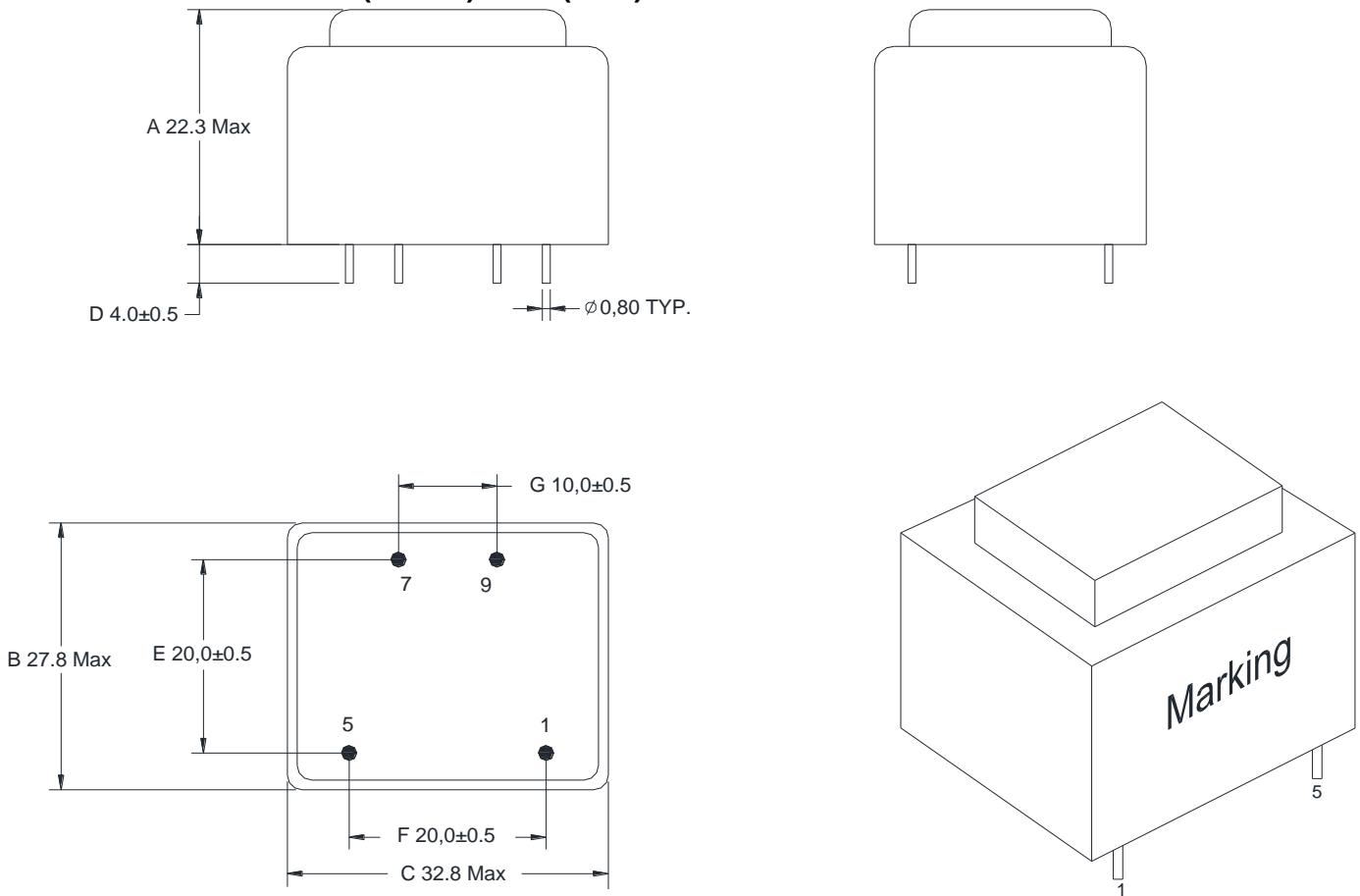
| | | | |
|-------|------------|--------------------------------------|-----------|
| | | | |
| | | | |
| | | | |
| | | | |
| | | | |
| PD1.1 | 2023/4/21 | Merge the data code into the marking | Li xiaoxu |
| PD1.0 | 2019/11/28 | Initial release | Zhangjd |
| Rev. | Date | Description | Approved |

Approved by customer (客户确认) : _____

Friendly Reminder: Please help to sign this Spec when approve , and fax to our company .Or else, we will consider you have accepted it and make future order based on this Spec.

友情提示:请在签字确认后,按封面的传真号码回传给赛特勒磁电有限公司.如无回传,则视为默认,后续的相关订单将以按本承认书的规定为技术要求.

1、OUTLINE DRAWING(外形图):UNIT(单位): mm



Notes :

- ◆ PCB opening aperture is recommended to be 1.3mm; (建议 PCB 开孔孔径为 1.3mm)
- ◆ If PIN layout and footprint have slightly deviation, please refer to actual PCB assembly, the ones can be normally inserted into PCB is qualified . (PIN 距、排距尺寸测量有偏差时, 以 PCB 下板实装确认, 可正常下板为合格)

2、MARKING (标记图):

ZETTLER Magnetics

BV302S15015

PRI:230VAC 50/60Hz(1-5)

SEC:15VAC 1.5VA (7-9)

YYWW

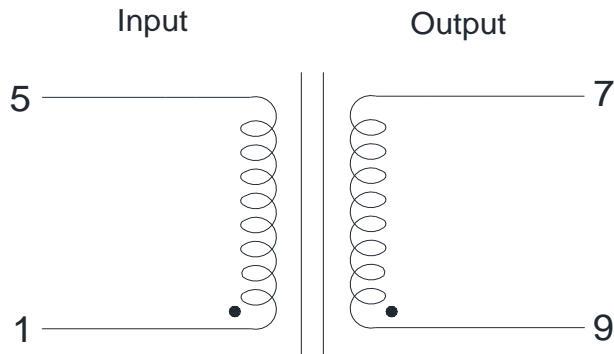
Class 2 not wet, Class 3 wet

① ta 70/B 006 ⑤

YY:Year(年)

WW:Week(周)

3、SCHEMATIC(原理图):



4、ELECTRICAL SPECIFICATION(电气特性测试):

TEST TEMPERATURE(测试温度)@25±2℃:

| Item 项目 | Terminal 端子 | Specification 规格值 | Test condition 测试条件 |
|--------------------------------|----------------|----------------------|------------------------|
| Excitation current 空载电流(mA) | 1--5 | 20 MAX | Input: 230V 50Hz |
| Loss power 空载损耗 (W) | 1--5 | 0.9 Max | |
| Rated load voltage 负载电压(V) | 7--9 | 15±10% @ 100mA | Input:230V 50Hz |
| No load voltage 空载电压(V) | 7--9 | 25 Max | |
| Insulation resistance 绝缘阻抗 | P--S | 100MΩ MIN | DC 500V/1min |
| HI-POT Voltage 耐压 | P--S | 4200V | 1mA/1S/50Hz |

5、PRECAUTIONS FOR USE (产品使用注意事项):

Ambient temperature range(使用环境温度范围): -25~+70℃

Storage temperature range(保存温度范围): -25~+85℃

6、SPECIAL REQUIREMENTS (特殊要求):

UL certification(UL 认证号): E214561,E177998

VDE certification(VDE 认证号): 40022230

CQC certification (CQC 认证号): CQC09001030821

7、BOM(材料清单):

| NO. 序号 | MATERIAL TYPE 材料名称 | DESCRIPTION 规格描述 | SUPPLIERS 供应商 | UL NO. 认证号 |
|-----------|--------------------------|--------------------------------------|--|--|
| 1 | BOBBIN | PBT 4130 PBT 9800G PA66 A3X2G5 | CHANG CHUN PLASICS CO LTD Nantong Anguang New Material Technology Co Ltd BASF SE | E59481 E531618 E41871 |
| 2 | CASE | PBT 4130 PBT 9800G PA66 A3X2G5 | CHANG CHUN PLASICS CO LTD Nantong Anguang New Material Technology Co Ltd BASF SE | E59481 E531618 E41871 |
| 3 | WIRE | UEW | ELEKTRISOLA HANGZHOU CO LTD TA YA ELECTRIC LTD YICHI NingBo XINJIAN ELECTRONICS INDUSTRY CO., LTD | E258243 E197768 E363385 E197317 |
| 4 | GLUE | 21-2560-(xx) | RAMPF Polymer Solutions GmbH & Co KG | E111148 |
| | | 7800AR(*)/7800BR(#) | WUXI EAST-GRACE ELECTRONIC MATERIAL TECHNOLOGY CO LTD | E309982 |