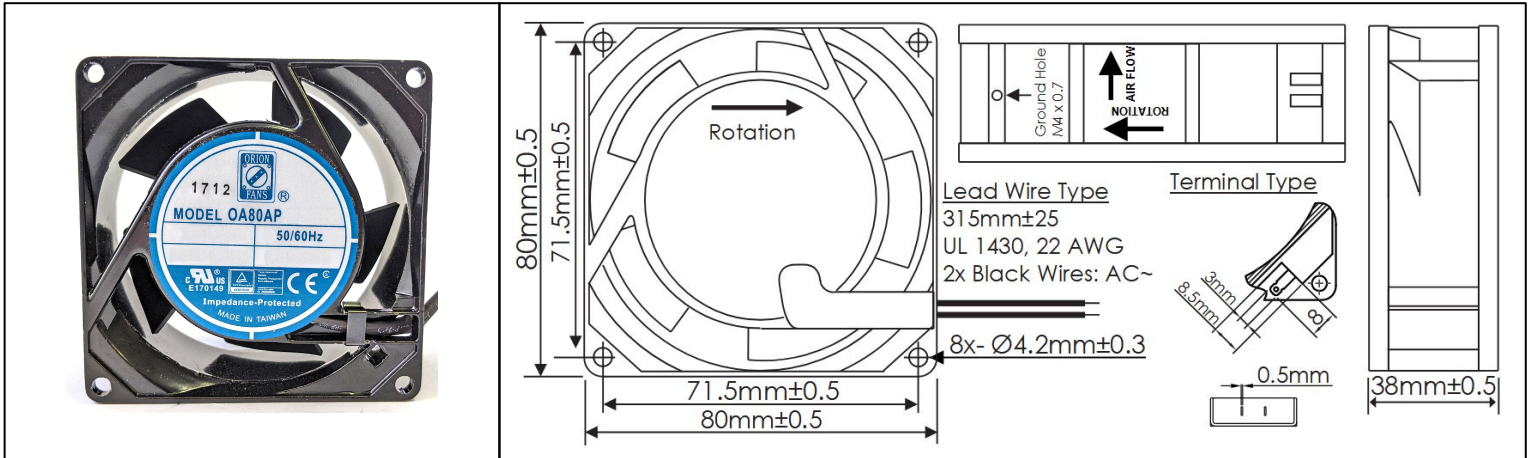


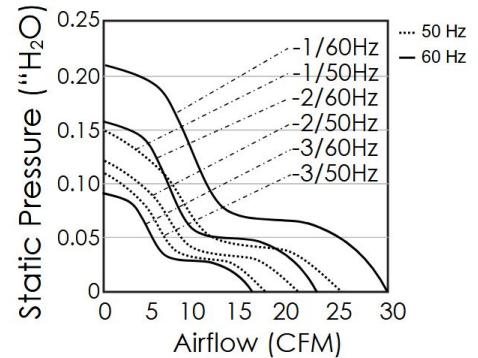
OA80AP Series



AC Fans - 115, 230V
80mm x 38mm (3.2" x 1.5")



| | | |
|-----------------------|--|---|
| Frame | Die Cast Aluminum, Black Finish | <u>Operating Temperature</u> -20°C ~ +80°C <u>Storage Temperature</u> -40°C ~ +80°C <u>Life Expectancy</u> 60K Hours (L10 @ 30°C) Weight: 0.62 lbs. |
| Impeller | PBT, UL94 V-0 Plastic | |
| Connection | 2x Lead Wires, 22 AWG, or Terminals | |
| Motor | Shaded Pole, Single Phase, Impedance Protected | |
| Bearing System | Ball Bearing | |
| Dielectric Strength | 1500VAC/min, <1mA | |
| Insulation Resistance | ≥10M Ohm @ 500 VAC | |



| Part Number | Rated Voltage (Volts AC) | Voltage Range (Volts AC) | Frequency (Hertz) | Input Power (Watts) | Rated Speed (RPM) | Max Airflow (CFM) | Noise Level (dBA) | Max Static Pressure (\"H2O) |
|---------------|--------------------------|--------------------------|-------------------|---------------------|-------------------|-------------------|-------------------|-----------------------------|
| OA80AP-11-1*B | 115 | 100 ~ 125 | 50 / 60 | 14 / 12 | 2400 / 2800 | 25 / 30 | 31.3 / 34.2 | 0.15 / 0.21 |
| OA80AP-11-2*B | 115 | 100 ~ 125 | 50 / 60 | 11 / 9 | 2100 / 2375 | 21 / 23 | 24.1 / 26.3 | 0.12 / 0.16 |
| OA80AP-11-3*B | 115 | 100 ~ 125 | 50 / 60 | 7 / 5 | 1750 / 1725 | 17 / 16 | 20.4 / 20.1 | 0.11 / 0.09 |
| OA80AP-22-1*B | 230 | 200 ~ 245 | 50 / 60 | 14 / 12 | 2400 / 2800 | 25 / 30 | 31.3 / 34.2 | 0.15 / 0.21 |
| OA80AP-22-2*B | 230 | 200 ~ 245 | 50 / 60 | 11 / 9 | 2100 / 2375 | 21 / 23 | 24.1 / 26.3 | 0.12 / 0.16 |
| OA80AP-22-3*B | 230 | 200 ~ 245 | 50 / 60 | 7 / 5 | 1750 / 1725 | 17 / 16 | 20.4 / 20.1 | 0.11 / 0.09 |

*Insert "T" for Terminal Type Power Connection, "W" for Wire Lead Type Power Connection