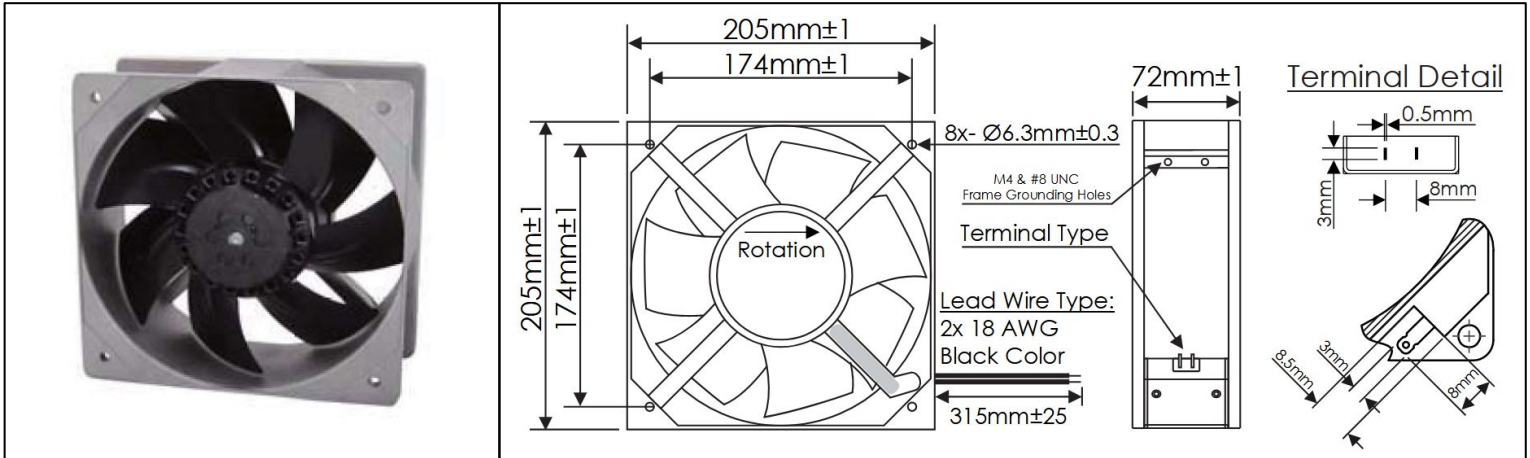


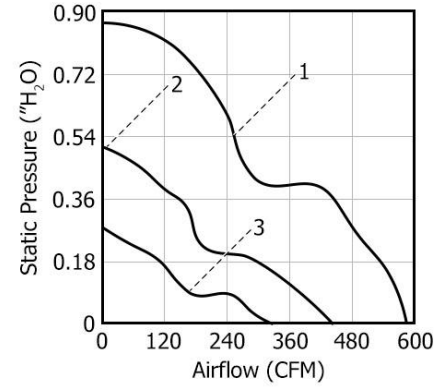
OA205AN Series



AC Fans - 115, 230V
205mm x 205mm x 72mm
(8.0" x 8.0" x 2.8")



Frame	Die Cast Aluminum, Natural Finish	Operating Temperature -30°C ~ +80°C Storage Temperature -40°C ~ +100°C Life Expectancy 50,000 Hours (L10 at 55°C) Available Options Tachometer Output Alarm Output Weight: 5.18 lbs
Impeller	Steel, All Metal, 7 Blade	
Connection	2x Lead Wires, 18 AWG, or Terminals	
Motor	AC, Capacitor Induction, Single Phase, Thermally Protected, IP56 Rated	
Bearing System	Ball Bearings	
Dielectric Strength	1500VAC/min, <5mA	
Insulation Resistance	≥10MΩ @ 500 VDC	



Part Number	Rated Voltage (Volts AC)	Input Power (Watts)	Voltage Range (Volts AC)	Frequency (Hertz)	Rated Speed (RPM)	Max Airflow (CFM)	Noise Level (dBA)	Max Static Pressure ("H ₂ O)
OA205AN-11-1*B1856	115	60 / 80	100 ~ 120	50 / 60	2800 / 3000	520 / 590	67.4	0.91 / 0.86
OA205AN-11-2*B1856	115	55 / 65	100 ~ 120	50 / 60	2300 / 2250	460 / 458	58.1	0.69 / 0.52
OA205AN-11-3*B1856	115	20 / 30	100 ~ 120	50 / 60	1400 / 1600	310 / 330	48.1	0.38 / 0.29
OA205AN-22-1*B1856	230	60 / 80	200 ~ 240	50 / 60	2800 / 3000	520 / 590	67.4	0.91 / 0.86
OA205AN-22-2*B1856	230	55 / 65	200 ~ 240	50 / 60	2300 / 2250	460 / 458	58.1	0.69 / 0.52
OA205AN-22-3*B1856	230	20 / 30	200 ~ 240	50 / 60	1400 / 1600	310 / 330	48.1	0.38 / 0.29

*Indicate "T" for Terminal type, or "W" for Lead wire type connection
PQ Airflow Data specifications are for 60 Hz operation