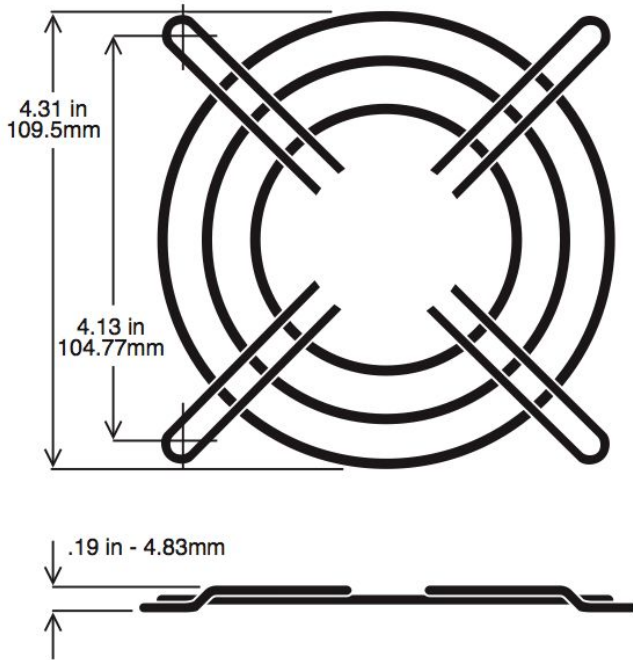


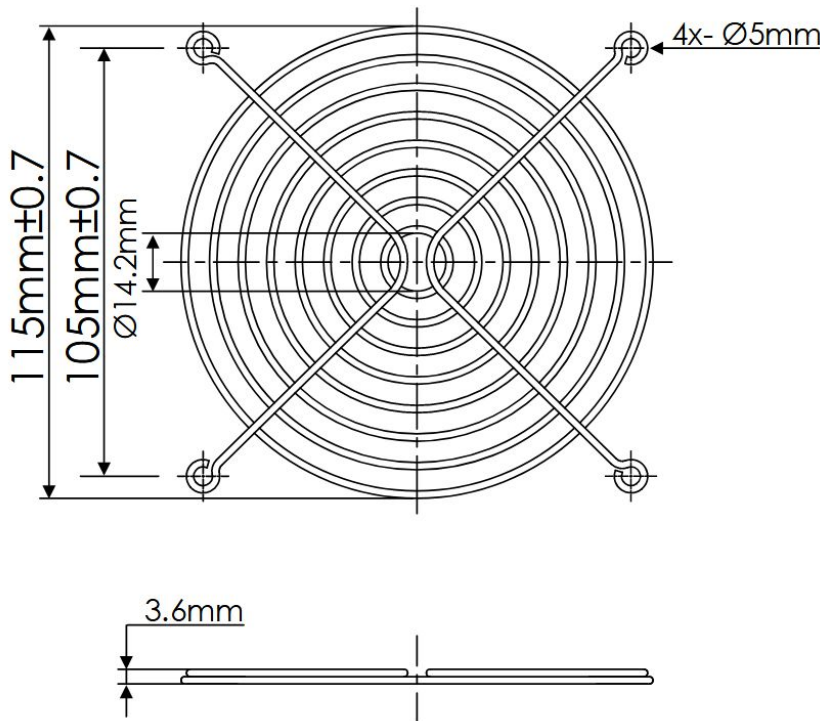


# G109 Series

Fan Guards  
Fits 120mm Fans



Model Number	G109-3A
Ring Diameter	∅1.6mm
Rib Diameter	∅1.6mm
Finish	Bright Nickel Chrome
Model Number	G109-3A/PK
Description	10-Pack G109-3A Guards, Boxed



Model Number	G109-15-1
Ring Diameter	∅1.8mm
Rib Diameter	∅1.8mm
Finish	Bright Nickel Chrome
Model Number	G109-15-1/PK
Description	10-Pack G109-15-1 Guards, Boxed

Model Number	G109-15B-1
Ring Diameter	∅1.8mm
Rib Diameter	∅2.3mm
Finish	Black Electro Deposit

Model Number	G109-15B-1/PK
Description	10-Pack G109-15B-1 Guards, Boxed

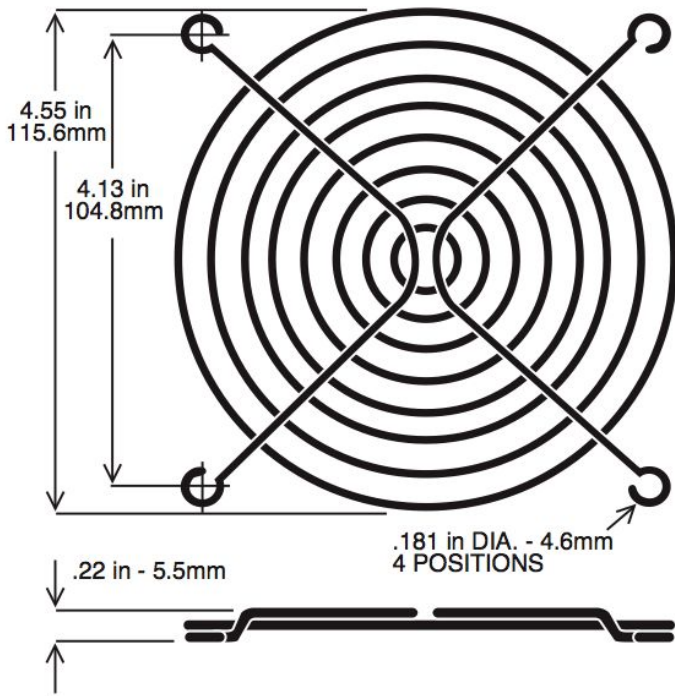
## Notes for G109 Series

1. Material: C1008 Bright Basic Wire
2. Weld Joints to withstand 88lbs. Pull force
3. General Tolerance Unless Noted: ±0.5mm
4. Part meets 6.35mm Plug Gauge Test



# G109 Series

## Fan Guards Fits 120mm Fans

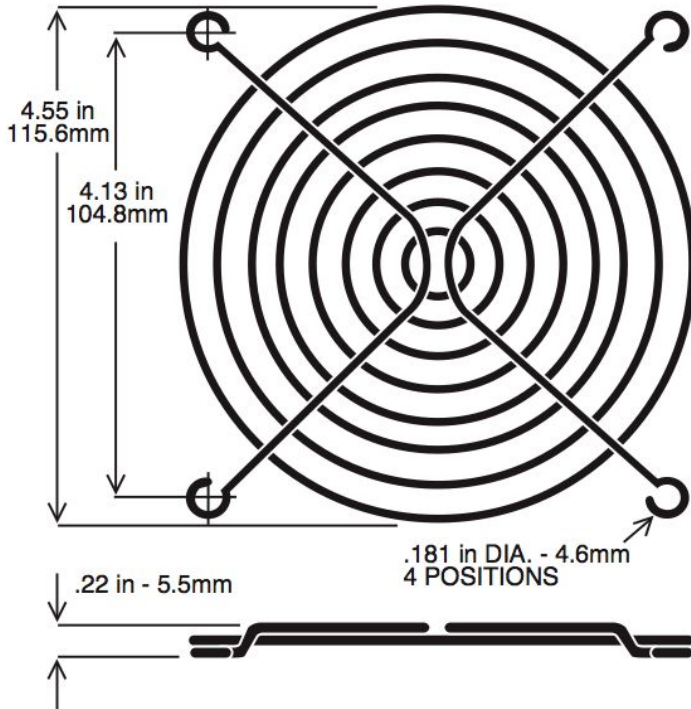


Model Number	G109-15A
Ring Diameter	∅1.8mm
Rib Diameter	∅1.8mm
Finish	Bright Nickel Chrome

Model Number	G109-15A/PK
Description	10-Pack G109-15A Guards, Boxed

Model Number	G109-15AB
Ring Diameter	∅1.8mm
Rib Diameter	∅2.3mm
Finish	Black Electro Deposit

Model Number	G109-15AB/PK
Description	10-Pack G109-15AB Guards, Boxed



Model Number	G109-15SS
Ring Diameter	∅1.8mm
Rib Diameter	∅1.8mm
Finish	Stainless Steel

Model Number	G109-15SS/PK
Description	10-Pack G109-15SS Guards, Boxed

### Notes for G109 Series

1. Material: C1008 Bright Basic Wire
2. Weld Joints to withstand 88lbs. Pull force
3. General Tolerance Unless Noted: ±0.5mm
4. Part meets 6.35mm Plug Gauge Test