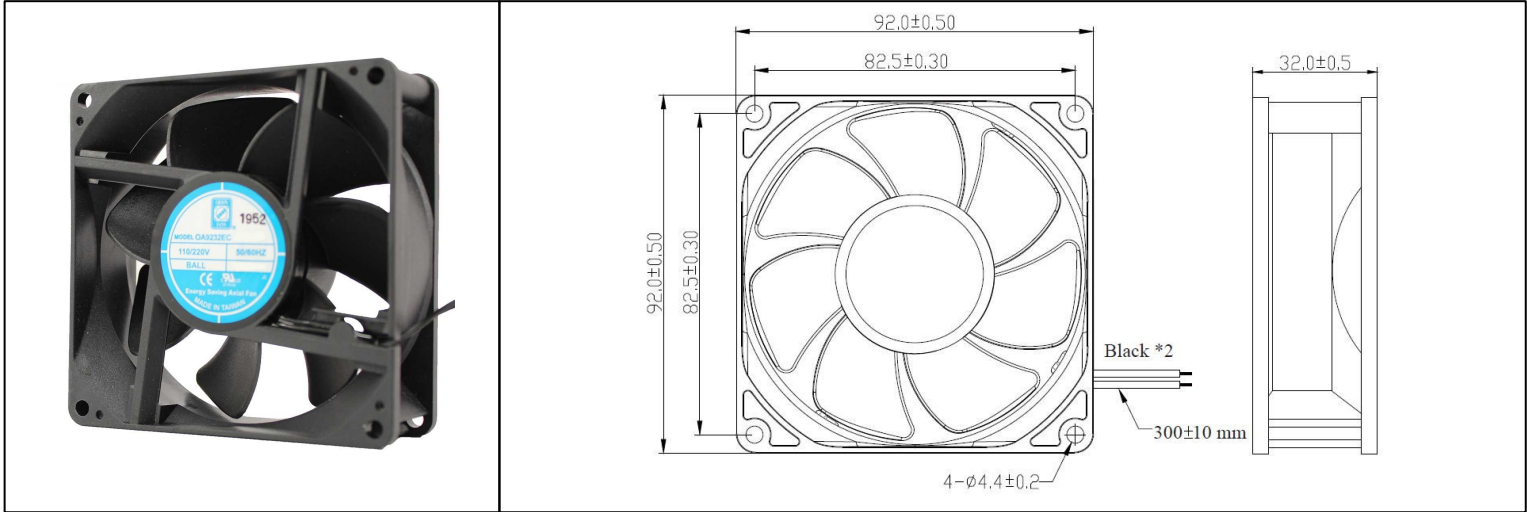


OA9232EC Series



AC Fans - 115, 230V Universal Input
92mm x 32mm (3.62" x 1.26")



Frame	PBT, UL94 V-0 Plastic	Operating Temperature -20°C ~ +65°C Storage Temperature -20°C ~ +75°C Life Expectancy 70,000 Hours (L10 at 40°C) Available Options PWM Speed Control Input Tachometer Output Alarm Output IP Ratings Weight: 0.31 lbs	
Impeller	PBT, UL94 V-0 Plastic		
Connection	2x Lead Wires, 26 AWG		
Motor	Electronically Commutated, Electronically Protected		
Bearing System	Ball Bearings		
Dielectric Strength	1500VAC/min, <1mA		
Insulation Resistance	≥10MΩ @ 500 VDC		

Part Number	Voltage Range (Volts AC)	Input Power (Watts)(Max)	Rated Speed (RPM)	Max Airflow (CFM)	Noise Level (dBA)	Max Static Pressure ("H ₂ O)
OA9232EC-UR-1WB	85 ~ 265	8 ~ 6	3000	58	43.7	0.23