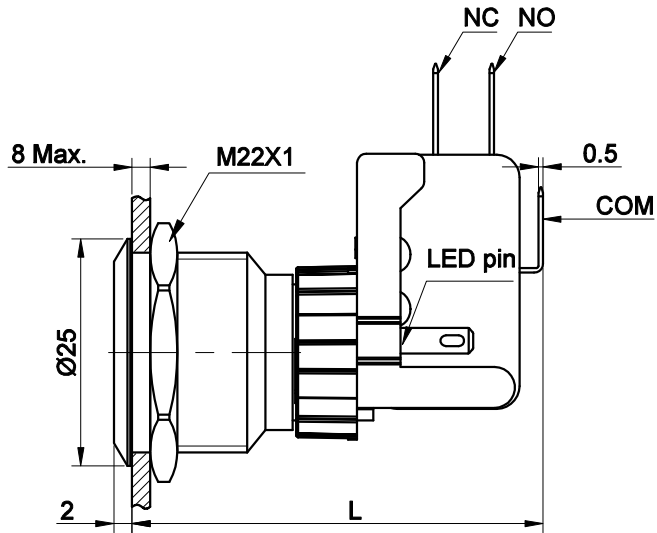
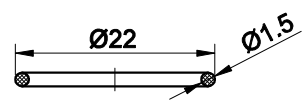
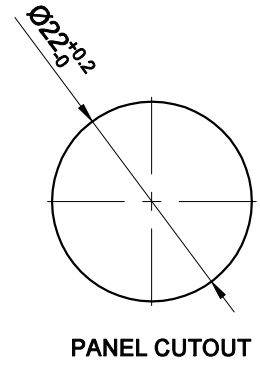
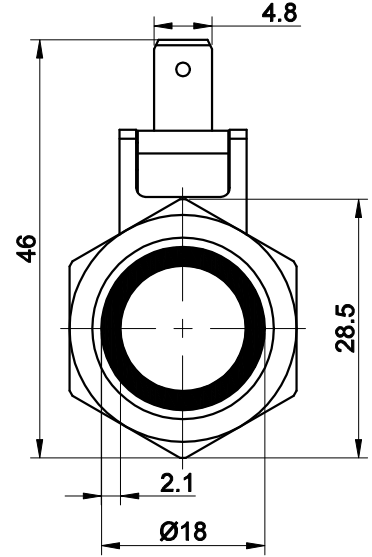


FOR 客户名称	APPROVED 客户确认签字	ATTN 销售负责人



L: Momentary is 44.9  
Latching is 51.2

The shaded part is illuminated



**MATERIALS:**

- Contact: Silver alloy.
- Button: Stainless steel.
- Body: Stainless steel.
- Base: UF.

**SPECIFICATIONS:**

- Switch Rating: AC250V/10A, DC250V/0.3A.
- Electrical Life: ≥50,000cycles.
- Contact Resistance: ≤50mΩ.
- Insulation Resistance: ≥1,000MΩ.
- Dielectric Strength: 1,500V, RMS 50Hz, 1min.
- Operating Temperature: -25°C~ +55°C(No Freezing).
- Operating Force: About 4N.
- Operating Travel: About 2.5mm.
- Torque: About 0.6Nm max.applied to nut.
- IP Class: IP65,IP67(Momentary can made to order).
- Terminal Type: Pin Terminal(4.8 x 0.5mm), LED Pin(2.8 x 0.5mm).

★Counterclockwise rotating the Nut,will remove the parts of operation and switch.

Part Number: LCA22-11 ■ E / △ / ▲ / S

BRAND  
品牌 **ONPOW**

**红波按钮制造有限公司**  
ONPOW PUSH BUTTON MANUFACTURE CO.,LTD.

USED 用途	APPD 审核 CH 2019/06/24
FINISH 处理	CHKD 校对 NCH 2019/06/24
SCALE 比例 1.2 / 1	UNIT 单位 mm
	DR. 制图 HMJ 2019/06/24

TITLE 名称	Large-current Metal Pushbutton	SIZE 图纸	A4
DWG NO. 图号	LCA22-11E		

FILE NAME 档案名称	LCA22.DWG	SHEET 张	1 / 1	REV. 更改	1
-------------------	-----------	------------	-------	------------	---