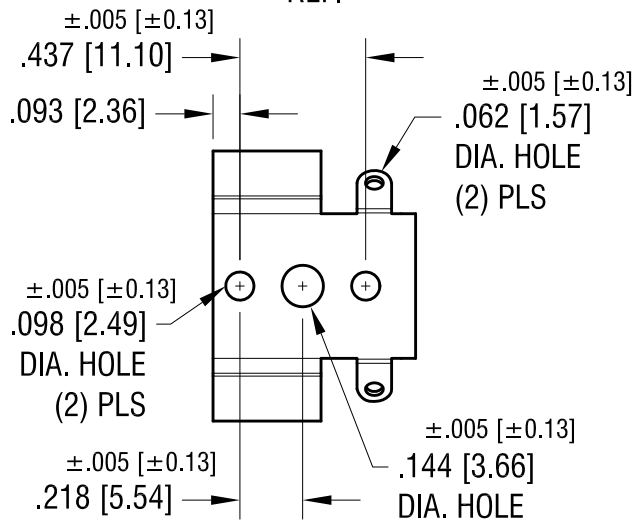
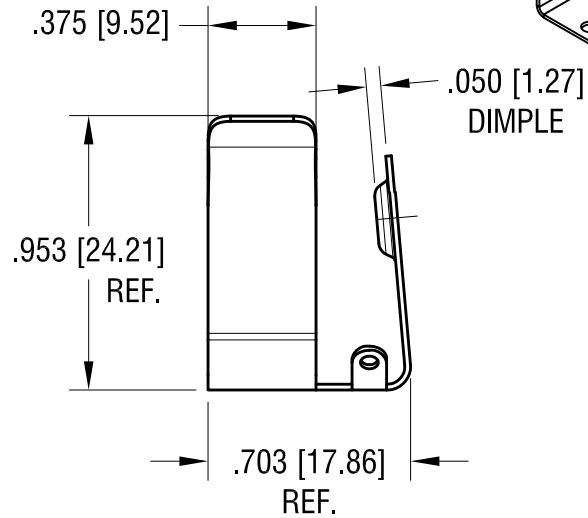
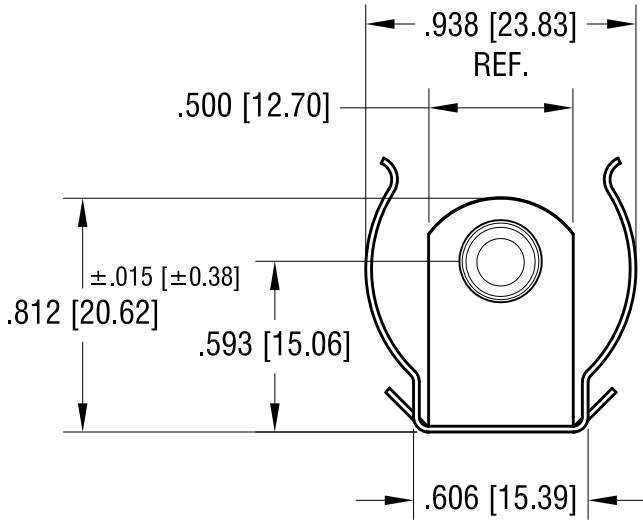
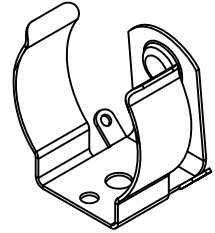


THIS DOCUMENT IS THE PROPERTY OF KEYSTONE ELECTRONICS CORP. AND SHALL NOT BE REPRODUCED, DISTRIBUTED OR USED AS A BASIS FOR MANUFACTURE WITHOUT PRIOR WRITTEN PERMISSION FROM KEYSTONE ELECTRONICS CORP.

**ACTUAL SIZE**



NOTE:

1. HEAT TREAT TO SPRING TEMPER.

3.28.22	CHANGE AS PER ECN 22-059	F
10.06.16	CHANGE AS PER ECR 16-058	E
12.18.15	CHANGE AS PER ECN 15-146	D
9.14.04	CHANGE AS PER ECN 04-047	C
DATE	DESCRIPTION	REV.

<b>KEYSTONE ELECTRONICS CORP.</b>			
www.keyelco.com • NEW HYDE PARK NY 11040 • Tel (516)328-7500			
PART NAME		'C' CELL CLIP FRAME	
MATERIAL			
.020 [0.50] TH'K ANNEALED SPRING STEEL			
FINISH		DRN BY	DATE
NICKEL PLATE		BOONE	10.29.81
		APP'D	SCALE
		LN	1.5X
TOLERANCES	INCH [MM]	CODE	DWG NO.
DECIMAL	± .010 [± 0.25]	C	<b>86</b>
ANGULAR	± 2°		
UNLESS OTHERWISE SPECIFIED			