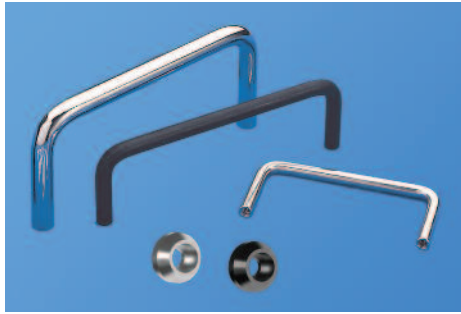
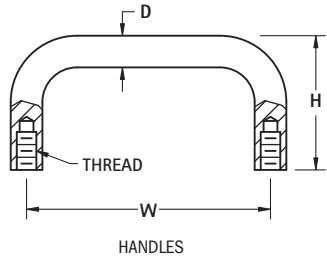


INSTRUMENTATION HANDLES

ROUND



MATERIAL:
Brass: ASTM-B16, Nickel Plate
Aluminum: 6061-T6, Black Anodized

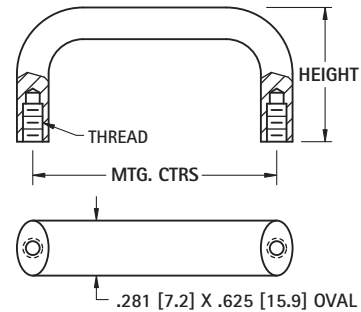


HANDLES				FERRULES			
BRASS CAT. NO.	ALUMINUM CAT. NO.	W MTG. CTRS.	H HEIGHT	THREAD	D DIAMETER	BRASS CAT. NO.	ALUMINUM CAT. NO.
7140	7170	1.250 (31.8)	1.000 (25.4)	4-40	.156 (4.0)	7176	7192
7141	7171	2.000 (50.8)	1.000 (25.4)				
7142	7172	3.000 (76.2)	1.000 (25.4)				
9100	9110	1.250 (31.8)	.625 (15.9)	4-40	.187 (4.7)	9120	9122
9101	9111	1.500 (38.1)	.625 (15.9)				
9104	9114	1.500 (38.1)	.750 (19.1)				
9102	9112	1.750 (44.5)	.625 (15.9)				
9105	9115	1.750 (44.5)	.750 (19.1)				
9103	9113	2.000 (50.8)	.625 (15.9)				
9106	9116	1.250 (31.8)	1.000 (25.4)				
9107	9117	1.500 (38.1)	1.000 (25.4)	6-32	.187 (4.7)	9121	9123
9108	9118	2.000 (50.8)	1.000 (25.4)				
9109	9119	3.000 (76.2)	1.000 (25.4)				
7143	7173	3.000 (76.2)	1.500 (38.1)	8-32	.250 (6.4)	7163	7193
485	515	3.000 (76.2)	1.750 (44.5)				
480	510	3.500 (88.9)	1.500 (38.1)				
7144	7174	4.000 (101.6)	1.500 (38.1)				
486	516	4.000 (101.6)	1.750 (44.5)				
481	511	4.500 (114.3)	1.500 (38.1)				
487	517	4.500 (114.3)	1.750 (44.5)				
482	512	5.000 (127.0)	1.500 (38.1)				
488	518	5.000 (127.0)	1.750 (44.5)				
483	513	5.500 (139.7)	1.500 (38.1)				
484	514	6.000 (152.4)	1.500 (38.1)				
489	519	6.000 (152.4)	1.750 (44.5)				
7145	7175	3.000 (76.2)	1.500 (38.1)				
7146	7176	4.000 (101.6)	1.500 (38.1)				
493	523	4.000 (101.6)	1.750 (44.5)				
490	520	4.500 (114.3)	1.500 (38.1)				
494	524	4.500 (114.3)	1.750 (44.5)				
7147	7177	4.562 (115.9)	1.500 (38.1)				
491	521	5.000 (127.0)	1.500 (38.1)				
495	525	5.000 (127.0)	1.750 (44.5)				
492	522	5.500 (139.7)	1.500 (38.1)				
7148	7178	6.000 (152.4)	1.500 (38.1)				
496	526	6.000 (152.4)	1.750 (44.5)				
7149	7179	6.437 (163.5)	1.750 (44.5)	10-32	.375 (9.5)	—	—
7150	7180	4.000 (101.6)	1.375 (34.9)				
7151	7181	6.000 (152.4)	1.375 (34.9)				

OVAL



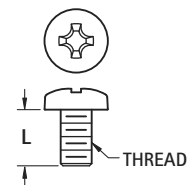
MATERIAL:
Aluminum: 6061-T6, Black Anodized



CAT. NO.	MTG. CTRS.	HEIGHT
7186	4.000 (101.6)	1.750 (44.5)
544	4.000 (101.6)	2.000 (50.8)
540	4.500 (114.3)	1.750 (44.5)
545	4.500 (114.3)	2.000 (50.8)
541	5.000 (127.0)	1.750 (44.5)
546	5.000 (127.0)	2.000 (50.8)
542	5.500 (139.7)	1.375 (34.9)
547	5.500 (139.7)	2.000 (50.8)
7187	6.000 (152.4)	1.375 (34.9)
543	6.000 (152.4)	1.750 (44.5)
548	6.000 (152.4)	2.000 (50.8)
7188	6.437 (163.5)	1.750 (44.5)

HANDLE MOUNTING SCREWS

Phillips drive pan head machine screws



MATERIAL: Stainless Steel

CAT. NO.	L LENGTH	THREAD
9900	.250 (6.4)	4-40
9901	.375 (9.5)	
9902	.500 (12.7)	
9903	.250 (6.4)	6-32
9904	.375 (9.5)	
9905	.500 (12.7)	
9906	.375 (9.5)	8-32
9907	.500 (12.7)	
9908	.750 (19.1)	
9909	.375 (9.5)	10-32
9910	.500 (12.7)	
9911	.750 (19.1)	