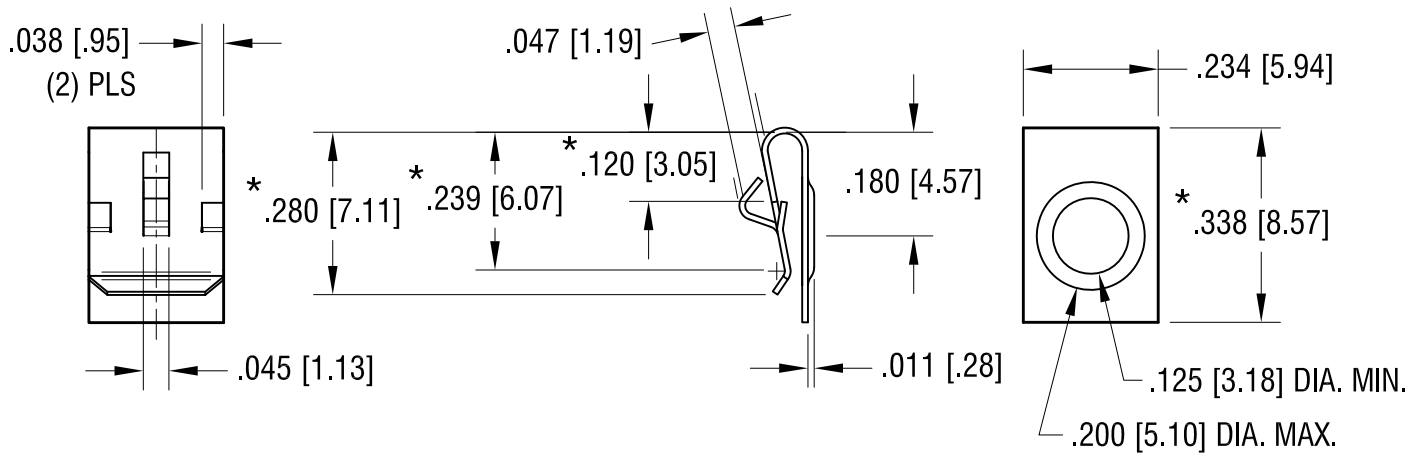


THIS DOCUMENT IS THE PROPERTY OF
KEYSTONE ELECTRONICS CORP. AND
SHALL NOT BE REPRODUCED, DISTRIBUTED
OR USED AS A BASIS FOR MANUFACTURE
WITHOUT PRIOR WRITTEN PERMISSION
FROM KEYSTONE ELECTRONICS CORP.

ACTUAL SIZE



NOTE:

1. DESIGNED TO CLIP OVER PANELS
FROM .060 [1.52] THRU .070 [1.78] TH'K.
2. * DENOTES $\pm .015$ [$\pm .38$] TOLERANCE

9.09.16	CHANGE AS PER ECN 16-084	E
6.24.16	CHANGE AS PER ECR 16-030	D
8.26.13	CHANGE AS PER ECN13-067	C
5.20.03	CHANGE AS PER ECN 03-039	B
8.10.00	CHANGE AS PER ECN 00-080	A
DATE	DESCRIPTION	REV.

KEYSTONE ELECTRONICS CORP.			
www.keyelco.com • ASTORIA, N.Y. 11105-2017 • Tel (718) 956-8900			
PART NAME			
SINGLE 'AAA'-'AAAA' CONTACT			
MATERIAL			
.010 [.25] TH'K STAINLESS STEEL			
FINISH		DRN BY	DATE
NICKEL PLATE		BOONE	5.24.99
		APP'D	SCALE
		LN	3X
TOLERANCES	INCH [MM]	CODE	DWG NO.
DECIMAL	$\pm .010$ [± 0.25]	C	238
ANGULAR	$\pm 1^\circ$		
UNLESS OTHERWISE SPECIFIED			