

# THRU-HOLE (THM) & SURFACE MOUNT (SMT) COIN CELL HOLDERS


12mm to 16mm COIN CELL HOLDERS

## DESIGN ADVANTAGES...

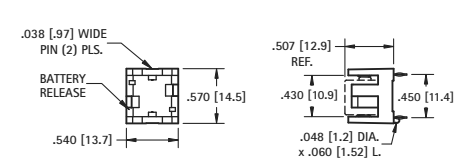
- Reliable spring tension assures low contact resistance
- Retains battery securely to withstand shock and vibration
- Base material UL Rated 94V-0. Impervious to most industrial solvents
- Operating temperature range: -60°F to +293°F (-51°C to +145°C)

## IDEALLY SUITED FOR...

- Computer memory, power transfer and back-up systems
- Video and telecommunications power back-up
- Microprocessors and Microcomputer memory hold (desktop and laptop applications)
- Industrial and commercial security and alarm systems
- PC 104 application



**THRU HOLE MOUNT**

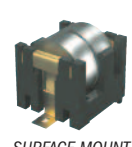


.038 [9.7] WIDE PIN (2) PLS.  
BATTERY RELEASE  
.570 [14.5]  
.540 [13.7]

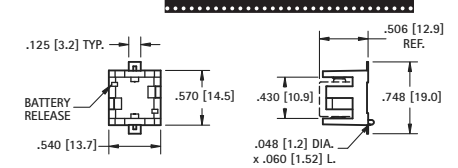
.507 [12.9] REF.  
.430 [10.9]  
.450 [11.4]  
.048 [1.2] DIA.  
x .060 [1.52] L.

**1/3N**

**AVAILABLE ON TAPE AND REEL**



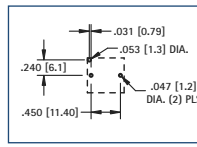
**SURFACE MOUNT**



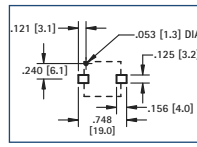
.125 [3.2] TYP.  
BATTERY RELEASE  
.570 [14.5]  
.506 [12.9] REF.  
.430 [10.9]  
.748 [19.0]  
.048 [1.2] DIA.  
x .060 [1.52] L.

**MATERIAL:**  
Base: High Temperature Nylon 46, UL Rated 94V-0  
Contacts: .012 (.30) Phosphor Bronze, Gold Plate (Flash)

**Mounting Detail**




**Pad Layout**



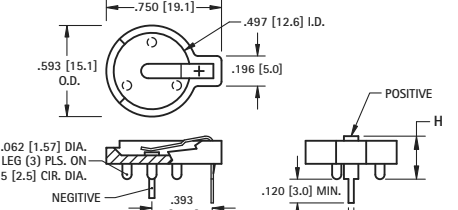
**-----MATERIAL:**  
Base: High Temperature Nylon 46, UL Rated 94V-0  
Contacts: .012 (.30) Phosphor Bronze, Gold Plate (Flash)

CAT. NO.	ON TAPE & REEL	CELLS	BATTERY REFERENCE
498	498TR	1	DL1/3N, K58L, CR1/3N
		2	SR44, 357, MS76, G-13, 303, V313, PX76A

**Tape & Reel Spec's:** 44mm wide; 20mm pitch; 13 inch reel (200 pieces per reel)



**THRU HOLE MOUNT**




.750 [19.1]  
.497 [12.6] I.D.  
.593 [15.1] O.D.  
.196 [5.0]  
.062 [1.57] DIA. LEG (3) PLS. ON .375 [2.5] CIR. DIA.  
NEGATIVE  
.393 [10.0]

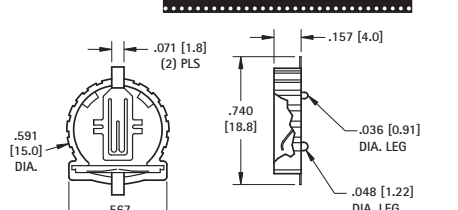
POSITIVE  
H  
.120 [3.0] MIN.  
.035 [0.9]

**12mm**

**AVAILABLE ON TAPE AND REEL**



**SURFACE MOUNT**

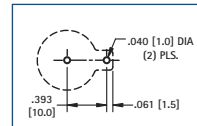


.071 [1.8] (2) PLS.  
.157 [4.0]  
.740 [18.8]  
.036 [0.91] DIA. LEG  
.048 [1.22] DIA. LEG  
.591 [15.0] DIA.  
.567 [14.4]

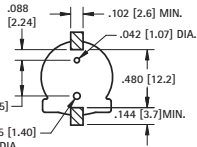
**MATERIAL:**  
Base: PBT, UL Rated 94V-0  
Positive Contact: .015 (.38) Spring Steel, Tin-Nickel Plate  
Negative Contact: .035 (.89) Dia. Steel, Tin-Nickel Plate

CAT. NO.	HEIGHT (H)	CELLS	BATTERY REFERENCE
500	.280 (7.1)	1	BR1212, CR1216, CL1220, CR1225
501	.380 (9.7)	2	BR1212, CR1216, CL1220, CR1225

**Mounting Detail**

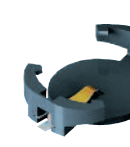


**Pad Layout**




**MATERIAL:**  
Base: Glass Filled PPS, UL Rated 94V-0  
Contacts: .008 (.20) Phosphor Bronze, Gold Plate (Flash)

**Tape & Reel Spec's:** 32mm wide; 20mm pitch; 13 inch reel (500 per reel)




**SURFACE MOUNT**



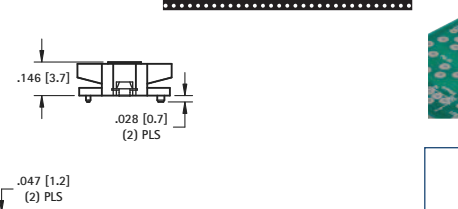
.628 [16.0]  
.146 [3.7]  
.028 [0.7] (2) PLS.  
.021 [0.5] DIA.  
.315 [8.0]  
.047 [1.2] (2) PLS.  
.033 [0.85] DIA.

**12mm AUTO-IN**

**AVAILABLE ON TAPE AND REEL**



**SURFACE MOUNT**




1.129 [28.7]  
.630 [16.0]  
.138 [3.5] (2) PLS.  
.677 [17.2]  
.212 [5.4]

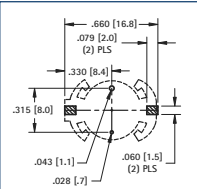
**MATERIAL:**  
Base: PA9T, Black  
Contacts: .004 (.10) Phosphor Bronze  
Contact Area: Gold Plate (Flash)  
Solder Tails: Matte Tin Plate

CAT. NO.	ON TAPE & REEL	CELLS	BATTERY REFERENCE
1072	1072TR	1	CR1220, BR1220, CL1225

**Mounting Detail**

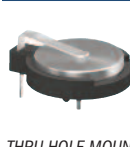


**Pad Layout**

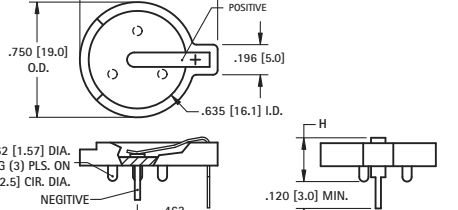


**MATERIAL:**  
Base: Glass Filled LCP, UL Rated 94V-0  
Contacts: .006 (.15) Phosphor Bronze, Gold Plate (Flash)

**Tape & Reel Spec's:** 44mm wide; 24mm pitch; 13 inch reel (450 per reel)



**THRU HOLE MOUNT**




.897 [22.8]  
.750 [19.0] O.D.  
.635 [16.1] I.D.  
.196 [5.0]  
.062 [1.57] DIA. LEG (3) PLS. ON .375 [2.5] CIR. DIA.  
NEGATIVE  
.463 [11.8]

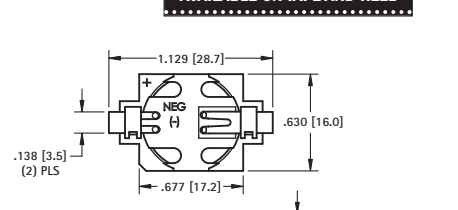
POSITIVE  
H  
.120 [3.0] MIN.  
.035 [0.9]

**16mm**

**AVAILABLE ON TAPE AND REEL**



**SURFACE MOUNT**

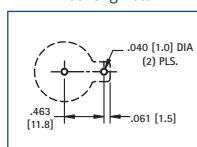


1.129 [28.7]  
.630 [16.0]  
.138 [3.5] (2) PLS.  
.677 [17.2]  
.212 [5.4]

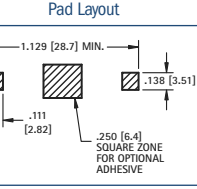
**MATERIAL:**  
Base: Glass Filled LCP, UL Rated 94V-0  
Positive Contact: .015 (.38) Spring Steel, Tin-Nickel Plate  
Negative Contact: .035 (.89) Dia. Steel, Tin-Nickel Plate

CAT. NO.	HEIGHT (H)	CELLS	BATTERY REFERENCE
502	.285 (7.3)	1	CR1612, CL1616, CL1620
502-3	.330 (8.4)	1	BR1625, CR1632
		2	BR1616, CR1620, CL1620

**Mounting Detail**



**Pad Layout**



**MATERIAL:**  
Base: Glass Filled LCP, UL Rated 94V-0  
Contacts: .006 (.15) Phosphor Bronze, Gold Plate (Flash)

CAT. NO.	ON TAPE & REEL	CELLS	BATTERY REFERENCE
504	504TR	1	BR1625, CR1632

**Tape & Reel Spec's:** 44mm wide; 24mm pitch; 13 inch reel (450 per reel)