

AC FAN

80mm~280mm

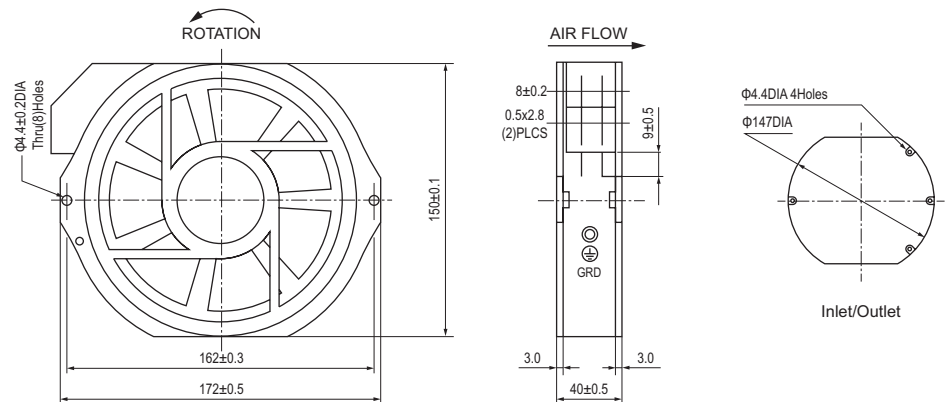


NA17040



General Specification

Size: 170×150×40mm
 Airflow: 330~375m³/hr 194-220CFM
 Weight: 655g
 Noise: 56~60dBA
 Impeller: PBT Black
 Frame: Aluminum Alloy
 Terminals: 0.5mm
 Lead Wire: AWG#22
 Motor: Capacitor-Run Induction Motor
 Operation Temperature: -10°C~+70°C



Specific Parameters

Model Number	Bearing Type	Voltage (V)	Freq. (Hz)	Current (A)	Power (W)	Speed (RPM)	Noise (dBA)	Air Flow		Phase	Capacitor
								M ³ /hr	CFM		
17040-110BH-C	Ball	100~125	50/60	0.35/0.40	30	2500/2900	56/60	330/375	194/220	1	3.3µf/250V
17040-230BH-C	Ball	200~240	50/60	0.20/0.22	30	2500/2900	56/60	330/375	194/220	1	1.0µf/450V
17040-380BH	Ball	380~420	50/60	0.08	30	2500/2900	56/60	330/375	194/220	3	/
17040-380BH-C	Ball	380~420	50/60	0.10	30	2500/2900	56/60	330/375	194/220	1	0.47µf/450V
17040-110SH-C	Sleeve	100~125	50/60	0.35/0.40	30	2500/2900	56/60	330/375	194/220	1	3.3µf/250V
17040-230SH-C	Sleeve	200~240	50/60	0.20/0.22	30	2500/2900	56/60	330/375	194/220	1	1.0µf/450V
17040-380SH	Sleeve	380~420	50/60	0.08	30	2500/2900	56/60	330/375	194/220	3	/
17040-380SH-C	Sleeve	380~420	50/60	0.10	30	2500/2900	56/60	330/375	194/220	1	0.47µf/450V

"B" means Ball, "S" means Sleeve, "H" means High Speed, "M" means Middle Speed, Current, Speed can be customer made

