

AC FAN

80mm~280mm

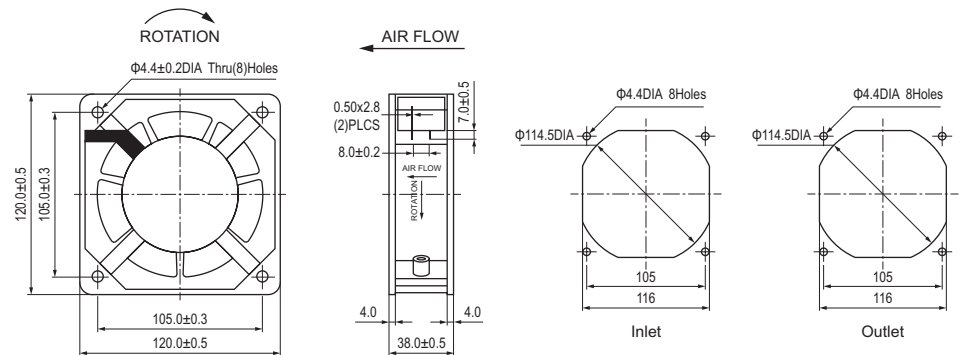


NA12038-7P



General Specification

Size: 120×120×38mm
 Airflow: 141~213m³/hr 83-108CFM
 Weight: 480g
 Noise: 38~46dBA
 Impeller: PBT Black
 Frame: Aluminum Alloy
 Terminals: 0.5mm
 Lead Wire: AWG#22
 Motor: Shaded Pole Induction Motor
 Operation Temperature: -10°C~+65°C



Specific Parameters

Model Number	Bearing Type	Voltage (V)	Freq. (Hz)	Current (A)	Power (W)	Speed (RPM)	Noise (dBA)	Air Flow		Phase	Capacitor
								M ³ /hr	CFM		
12038-110BH-7P	Ball	100~125	50/60	0.24/0.22	22/20	2450/2800	43/48	138/162	82/95	1	/
12038-230BH-7P	Ball	200~240	50/60	0.14/0.12	22/20	2450/2800	43/48	138/162	82/95	1	/
12038-380BH-7P	Ball	380	50/60	0.11/0.09	22/20	2450/2800	39/44	138/162	82/95	1	/
12038-110SH-7P	Sleeve	100~125	50/60	0.24/0.22	22/20	2450/2800	43/48	138/162	82/95	1	/
12038-230SH-7P	Sleeve	200~240	50/60	0.14/0.12	22/20	2450/2800	43/48	138/162	82/95	1	/
12038-380SH-7P	Sleeve	380	50/60	0.11/0.09	22/20	2450/2800	39/44	138/162	82/95	1	/

"B" means Ball, "S" means Sleeve, "H" means High Speed, "M" means Middle Speed, Current, Speed can be customer made

